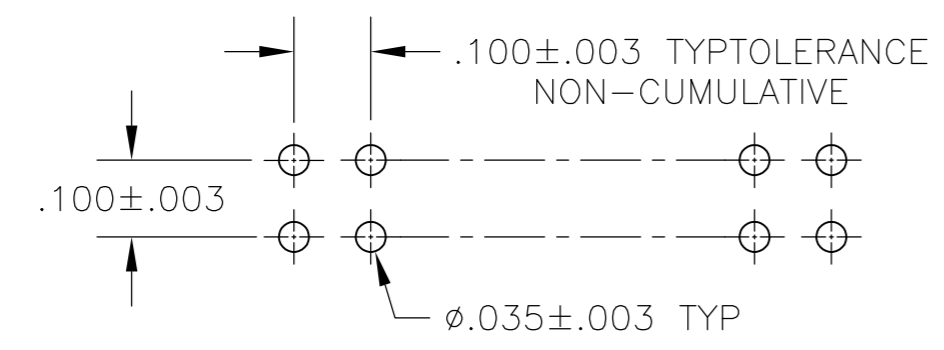
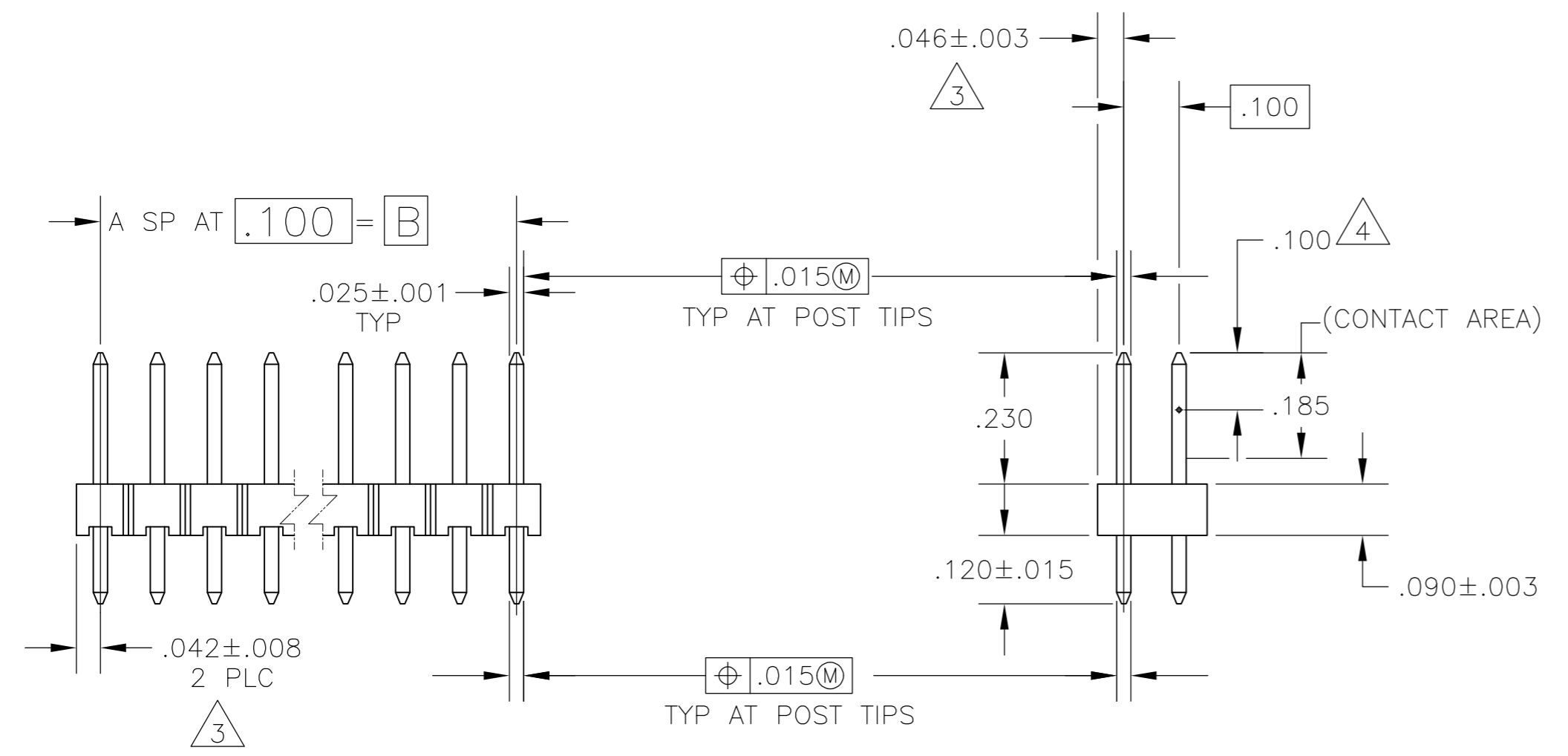
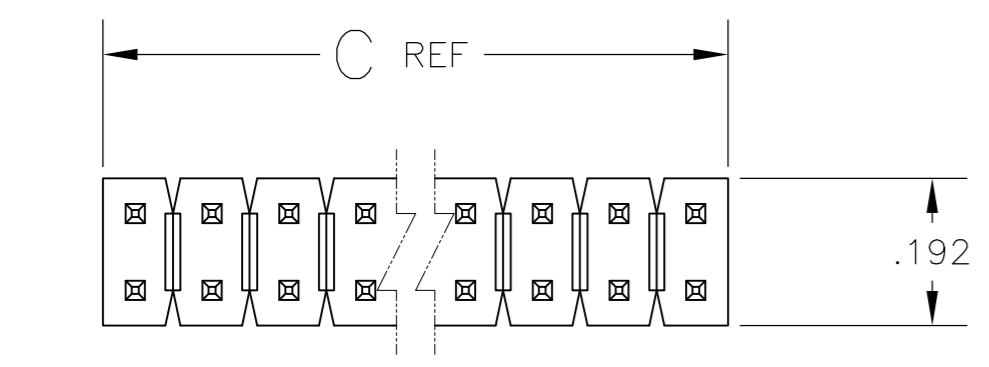


THIS DRAWING IS UNPUBLISHED. RELEASED FOR PUBLICATION
 © COPYRIGHT - By - ALL RIGHTS RESERVED.

REVISIONS					
P	LTR	DESCRIPTION	DATE	DWN	APVD
	J1	REVISED PER ECO-16-012733	07SEP2016	NK	MM

- 1 ASSEMBLY MAY BE BROKEN TO THE DESIRED NUMBER OF POSITIONS.
- 2 TRUE POSITION TOLERANCE OF THE POST TIPS APPLIES WHEN THE HEADER IS HELD FLAT AGAINST THE PRINTED CIRCUIT BOARD.
- 3 THE NOTED DIMENSIONS APPLY AT THE INTERSECTION OF THE POST AND HOUSING.
- 4 POINT OF MEASUREMENT FOR PLATING THICKNESS.
- 5 PART INDICATED IS PACKAGED IN "SINGLE TUBES".
- 6 OBSOLETE PARTS: OBSOLETE CIS STREAMLINING PER D.RENAUD/D.SINISI.



RECOMMENDED HOLE LAYOUT

REMARKS	C	B	A	NO OF POSN	PART NUMBER	
6 OBSOLETE				12	26	4-103186-1
6 OBSOLETE				39	80	4-103186-0
6 OBSOLETE				38	78	3-103186-9
6 OBSOLETE				37	76	3-103186-8
6 OBSOLETE				36	74	3-103186-7
6 OBSOLETE				35	72	3-103186-6
6 OBSOLETE				34	70	3-103186-5
6 OBSOLETE				33	68	3-103186-4
6 OBSOLETE				32	66	3-103186-3
6 OBSOLETE				31	64	3-103186-2
6 OBSOLETE				30	62	3-103186-1
6 SUPERSEDED BY 8-146256-0				29	60	3-103186-0
6 OBSOLETE				28	58	2-103186-9
6 OBSOLETE				27	56	2-103186-8
6 OBSOLETE				26	54	2-103186-7
6 OBSOLETE				25	52	2-103186-6
6 OBSOLETE				24	50	2-103186-5
6 OBSOLETE				23	48	2-103186-4
6 OBSOLETE				22	46	2-103186-3
6 OBSOLETE				21	44	2-103186-2
6 OBSOLETE				20	42	2-103186-1
6 OBSOLETE				19	40	2-103186-0
6 OBSOLETE				18	38	1-103186-9
6 OBSOLETE				17	36	1-103186-8
6 OBSOLETE				16	34	1-103186-7
6 OBSOLETE				15	32	1-103186-6
6 OBSOLETE				14	30	1-103186-5
6 OBSOLETE				13	28	1-103186-4
6 OBSOLETE				12	26	1-103186-3
6 OBSOLETE				11	24	1-103186-2
6 OBSOLETE				10	22	1-103186-1
				9	20	1-103186-0
				8	18	103186-9
				7	16	103186-8
				6	14	103186-7
				5	12	103186-6
				4	10	103186-5
				3	8	103186-4
				2	6	103186-3
				1	4	103186-2
				2	2	103186-1

THIS DRAWING IS A CONTROLLED DOCUMENT.		DWN H MOLL 13OCT87	TE Connectivity	
DIMENSIONS: INCHES		CHK T. CLARK 20OCT87		
TOLERANCES UNLESS OTHERWISE SPECIFIED:		APVD T. CLARK 20OCT87	NAME	
0 PLC ± - 1 PLC ± - 2 PLC ± - 3 PLC ± .005 4 PLC ± - ANGLES ± -		PRODUCT SPEC	HEADER ASSY, MOD II, BREAKAWAY, DOUBLE ROW, .100X.100 C, VERTICAL, WITH .025 SQ POSTS	
MATERIAL HOUSING: FLAME RETARDANT THERMOPLASTIC; COLOR-BLACK POST: COPPER ALLOY		FINISH POST: .00015 GOLD ON CONTACT .00100-.00200 MATTE TIN-LEAD ON SOLDER TAIL ALL OVER .00050 NICKEL	APPLICATION SPEC	RESTRICTED TO
WEIGHT		SCALE	CAGE CODE	DRAWING NO
CUSTOMER DRAWING		4:1	A2 00779	C=103186
SHEET		1 OF 1	REV	J1

X-ON Electronics

Largest Supplier of Electrical and Electronic Components

Click to view similar products for [Headers & Wire Housings](#) category:

Click to view products by [TE Connectivity](#) manufacturer:

Other Similar products are found below :

[892-18-020-10-001101](#) [58102-G61-06LF](#) [582553-1](#) [0009485154](#) [009176003701906](#) [0050291907](#) [LY20-4P-DT1-P1E-BR](#) [02.125.8002.8](#)
[609-3404](#) [61062-3](#) [61082-181009](#) [622-3653LF](#) [63453-116](#) [636-1030](#) [636-1427](#) [636-3427](#) [636-4007](#) [641938-9](#) [641991-4](#) [644827-2](#) [65817-](#)
[010LF](#) [65817-015LF](#) [65863-015LF](#) [66207-023LF](#) [67095-007LF](#) [67601157](#) [68645-018](#) [68648-049](#) [70.362.1628.0](#) [70-4210](#) [70-4226B](#) [70-](#)
[4853B](#) [707-5020](#) [707-5028](#) [71.350.2428.0](#) [71918-208LF](#) [71961-016LF](#) [733-134](#) [733-162](#) [754199-000](#) [760-3052](#) [787-8014-00](#) [79531-3000](#)
[FCN-360C032-B](#) [FCN-367T-T012/H](#) [FCN-723D010/2](#) [80.063.4001.1](#) [800-90-001-10-001000](#) [800-90-010-10-002000](#) [801-43-002-10-013000](#)