

THIS DRAWING IS UNPUBLISHED.

RELEASED FOR PUBLICATION

2006

© COPYRIGHT 2006

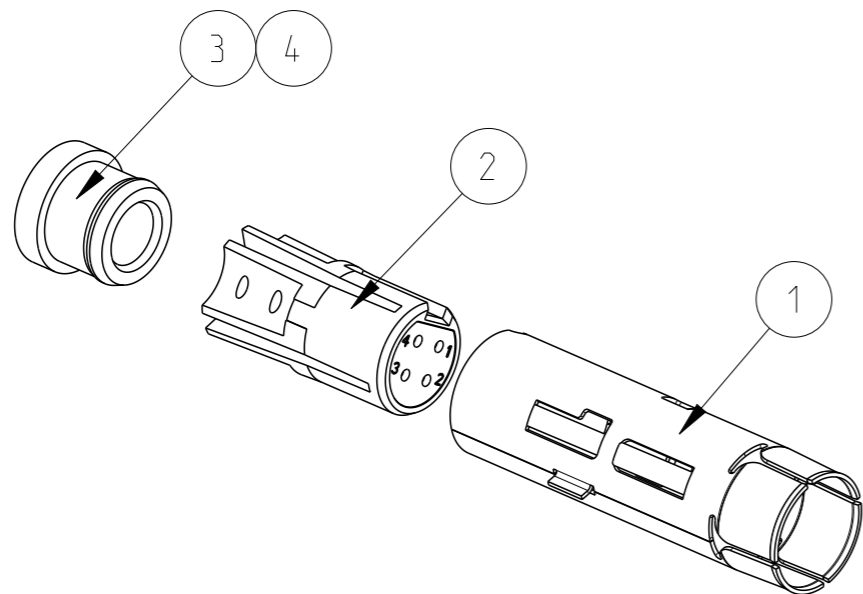
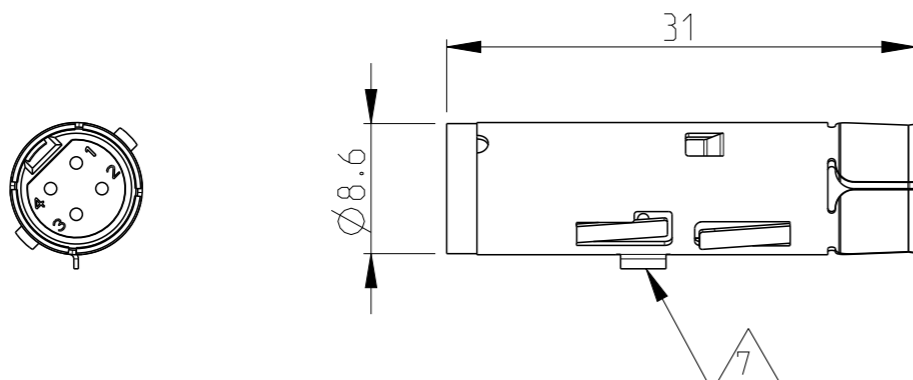
ALL RIGHTS RESERVED.

LOC
A1

DIST
-

REVISIONS

P	LTR	DESCRIPTION	DATE	DWN	APVD
D3		ECR-11-009482	09MAY2011	VG	BR
D4		ECR-15-014241	27OCT2015	RK	JB
D5		REV. PER ECR-16-000458	12JAN2016	ER	DO
D6		ITEM 4 EXCHANGED PER PCN E-16-007296	20MAY2016	ER	DO



Notes

- 1 SUITABLE POWER INSERT: SERIES HC26
CUSTOMER DRAWING: 1103428
- 2 SUITABLE CAT5e CABLE:
CUSTOMER DRAWING: 1103536
- 3 SUITABLE CRIMP CONTACTS:
CUSTOMER DRAWING: 1658670
- 4 SUITABLE INSERTION TOOL:
CUSTOMER DRAWING: 91285
- 5 SUITABLE EXTRACTION TOOL:
CUSTOMER DRAWING: 91285
- 6 STANDARDS:
DIN EN 61984, DIN EN 60664-1
- 7 POLARIZATION RIP
- 8 PACKAGING:
40 SETS IN A CARTON, UNMOUNTED

PN 0--1 AND 0--2 AS SHOWN

QTY	DESCRIPTION	MATERIAL	SURFACE/COLOR	NOTE	ITEM		
-	1	-	FERRULE	BRASS	SILVER PLATED	SERIES HC26, MALE SHELL	4
-	-	1	FERRULE	BRASS	SILVER PLATED	SERIES HC26, MALE SHELL	3
-	1	1	MALE INSERT ASS'Y			SERIES HC26, 4-POS. 22DF	2
-	1	1	MALE SHELL	COPPER ALLOY	SILVER PLATED	SERIES HC26, 4-POS. 22DF	1
-	0--2	0--1	DESCRIPTION	MATERIAL	SURFACE/COLOR	NOTE	ITEM

QTY REQD PER ASSY		PARTS LIST					
THIS DRAWING IS A CONTROLLED DOCUMENT.		DWN	27OCT2008	TE Connectivity MALE INSERT ASS'Y SERIES HC26, 4-POS. 22DF CIRCULAR HYBRID CONNECTOR			
		CHK	27OCT2008				
		APVD	27OCT2008				
		PRODUCT SPEC	T.SCHNURPFEL				
DIMENSIONS: mm		TOLERANCES UNLESS OTHERWISE SPECIFIED:		NAME			
		0 PLC	±	SIZE	CAGE CODE	DRAWING NO	RESTRICTED TO
		1 PLC	±	108-94485			
		2 PLC	±	APPLICATION SPEC			
		3 PLC	±	114-94369			
		4 PLC	±	WEIGHT			
		ANGLES	±	-			
MATERIAL		FINISH	-	A3 00779 ©=1103426			
				Customer Drawing			
				SCALE	SHEET	OF	REV
				2:1	1	1	D6

X-ON Electronics

Largest Supplier of Electrical and Electronic Components

Click to view similar products for [Heavy Duty Power Connectors](#) category:

Click to view products by [TE Connectivity](#) manufacturer:

Other Similar products are found below :

[647757-1](#) [6643411-1](#) [6646058-2](#) [6646137-1](#) [6646138-1](#) [6646479-1](#) [6646608-1](#) [6646786-1](#) [6646940-1](#) [6651091-1](#) [6651525-1](#) [6651529-1](#)
[6651788-1](#) [696475-1](#) [702-32-01109](#) [703-25-02205](#) [73000005059](#) [73000005642](#) [73080255059](#) [73080965046](#) [765-15-0080A](#) [765-16-0080B](#)
[765-18-0080D](#) [829992-1](#) [902-77-02113](#) [PS00/A0620/6300](#) [PS25/A0420/63](#) [129-1J](#) [1409400](#) [AN0024023](#) [E6374G1](#) [e6389g2](#) [157-43GW8](#)
[MS3117-14AC](#) [1643543-1](#) [1650540-1](#) [1651811-2](#) [1766260-1](#) [1766282-1](#) [1766966-1](#) [1791340000](#) [NLDFT-3-BL-L-S120-M40A](#) [NLDFT-N-](#)
[W-L-C240-M40B](#) [NLS-2-R-C240-M40B](#) [NLS-N-W-C240-M40B](#) [NPS-3-BL-T6](#) [1986615-1](#) [2-1589900-8](#) [2199314-1](#) [KA8102](#)