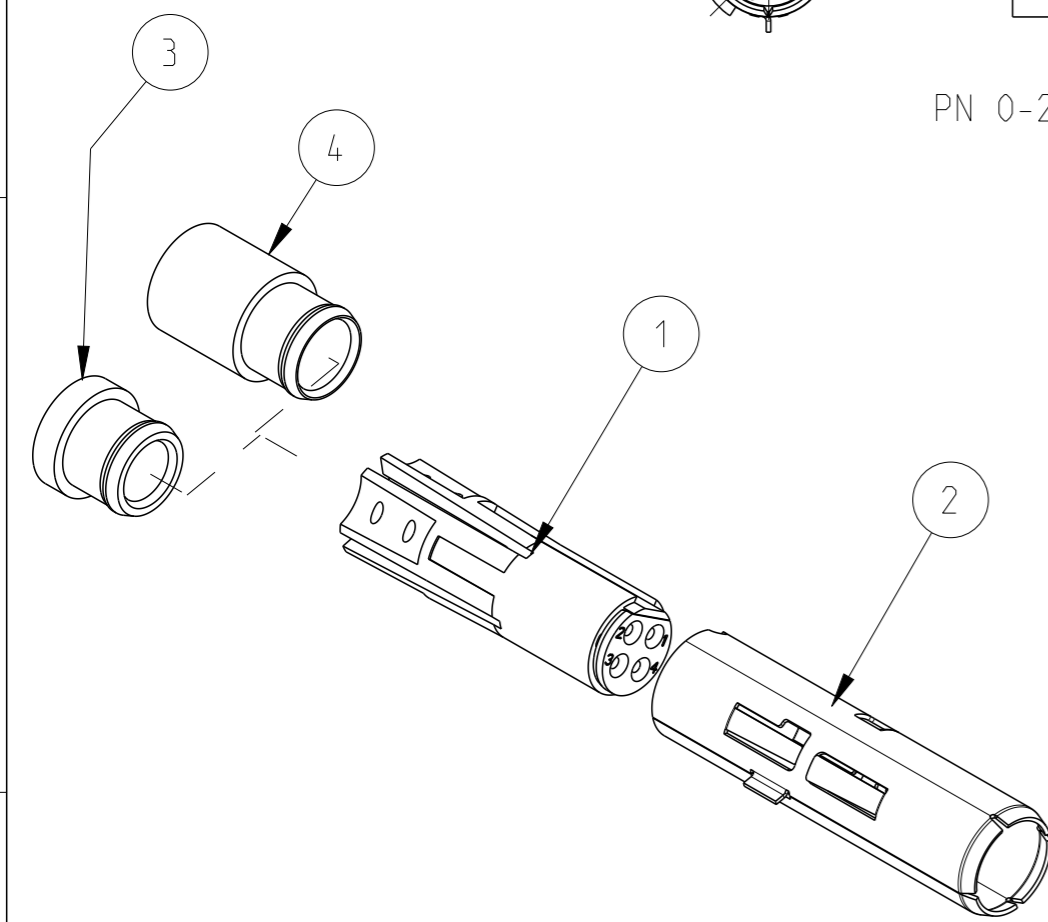


LOC	DIST	REVISIONS ÄNDERUNGEN			
P	LTR	DESCRIPTION BESCHREIBUNG	DATE	DWN	APVD
AI	-				
PROJEKT NR.:		E1	CUT OFF ADDED BY AREA LEAD-IN CHAMFER	31MAY2012	KHH HEIN
		F1	LOCKING LATCHES OF FEMALE SHELL CHANGED	02OCT2013	SH DO
		F2	TITLE BLOCK: NAME CHANGED	09OCT2015	ER DO
		F3	REV. PER ECR-16-000458	12JAN2016	ER DO

- Notes
- 1 SUITABLE POWER INSERT: SERIES HC26  
CUSTOMER DRAWING: 1103429
  - 2 SUITABLE CAT5e CABLE:  
CUSTOMER DRAWING: 1103536
  - 3 SUITABLE CRIMP CONTACTS:  
CUSTOMER DRAWING: 1658686
  - 4 SUITABLE INSERTION TOOL:  
CUSTOMER DRAWING: 91285
  - 5 SUITABLE EXTRACTION TOOL:  
CUSTOMER DRAWING: 91285
  - 6 STANDARDS:  
DIN EN 61984, DIN EN 60664-1
  - 7 POLARIZATION RIP
  - 8 FOR WIRE-SHIELDING DIAMETER 5.0
  - 9 FOR WIRE-SHIELDING DIAMETER 4.2
  - 10 PACKAGING:  
40 SETS IN A CARTON, UNMOUNTED



1	-	FERRULE	BRASS	SILVER PLATED	SERIES HC26, FEM. SHELL CRIMP VERSION	8	4
-	1	FERRULE	BRASS	SILVER PLATED	SERIES HC26, FEM. SHELL STANDARD	9	3
1	1	FEMALE SHELL	COPPER ALLOY	SILVER PLATED	SERIES HC26, 4 POS. 22 DF		2
1	1	FEMALE INSERT ASS'Y	PBT-GF10	GREY	SERIES HC26, 4 POS. 22 DF		1
0-2	0-1						
		DESCRIPTION	MATERIAL	COLOR/SURFACE	NOTE		ITEM

PARTS LIST (PER ONE UNIT)

DIESE ZEICHNUNG IST EIN KONTROLLIERTES DOKUMENT.  
 BEMASSUNGEN UND TOLERANZEN GEMAESS GPS (ISO STANDARDS).

THIS DRAWING IS A CONTROLLED DOCUMENT.  
 DIMENSIONING AND TOLERANCING PER GPS (ISO STANDARDS).

DIMENSIONS: MASSEINHEITEN: (MM)

TOLERANCES UNLESS OTHERWISE SPECIFIED: ALLGEMEINTOLERANZEN

0 PLC ±  
 1 PLC ±  
 2 PLC ±  
 3 PLC ±  
 4 PLC ±  
 ANGLES/WINKEL ±

MATERIAL - FINISH/OBERFLAECHE/FARBE -

DWN H.BRAUN 19OCT2007  
 CHK T.VETTER 27OCT2008  
 APVD T.SCHNURPFIL 27OCT2008

PRODUCT SPEC PRODUKTSPEZ. 108-94485  
 APPLICATION SPEC VERARBEITUNGSSPEZ. 114-94369

WEIGHT GEWICHT -

TOLERANCING ISO 8015  
 TOLERIERUNG ISO 8015

**TE** TE Connectivity

NAME FEMALE INSERT ASS'Y  
 SERIES HC26, 4-POS., 22DF  
 CIRCULAR HYBRID CONNECTOR

SIZE A3 CAGE CODE 00779 DRAWING NO. ZEICHNUNGS-NR. C=1103427 RESTRICTED TO NUR FUER -

CUSTOMER DRAWING /KUNDENZEICHNUNG SCALE MASSSTAB 2:1 SHEET BLATT 1 OF VON 1 REV F3

## X-ON Electronics

Largest Supplier of Electrical and Electronic Components

*Click to view similar products for [Heavy Duty Power Connectors](#) category:*

*Click to view products by [TE Connectivity](#) manufacturer:*

Other Similar products are found below :

[647757-1](#) [6643411-1](#) [6646058-2](#) [6646137-1](#) [6646138-1](#) [6646479-1](#) [6646608-1](#) [6646786-1](#) [6646940-1](#) [6651091-1](#) [6651525-1](#) [6651529-1](#)  
[6651788-1](#) [696475-1](#) [702-32-01109](#) [703-25-02205](#) [73000005059](#) [73000005642](#) [73080255059](#) [73080965046](#) [765-15-0080A](#) [765-16-0080B](#)  
[765-18-0080D](#) [829992-1](#) [902-77-02113](#) [PS00/A0620/6300](#) [PS25/A0420/63](#) [129-1J](#) [1409400](#) [AN0024023](#) [E6374G1](#) [e6389g2](#) [157-43GW8](#)  
[MS3117-14AC](#) [1643543-1](#) [1650540-1](#) [1651811-2](#) [1766260-1](#) [1766282-1](#) [1766966-1](#) [1791340000](#) [NLDFT-3-BL-L-S120-M40A](#) [NLDFT-N-](#)  
[W-L-C240-M40B](#) [NLS-2-R-C240-M40B](#) [NLS-N-W-C240-M40B](#) [NPS-3-BL-T6](#) [1986615-1](#) [2-1589900-8](#) [2199314-1](#) [KA8102](#)