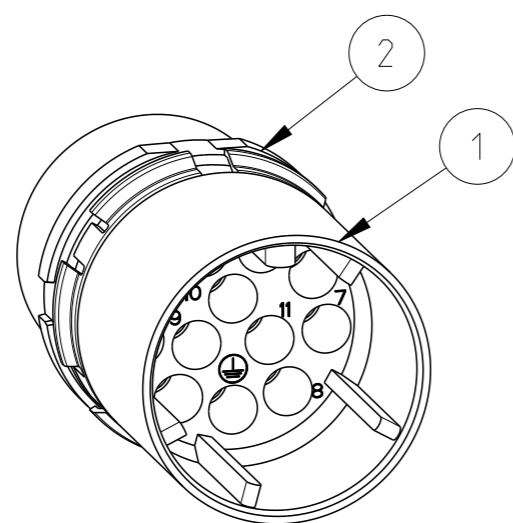
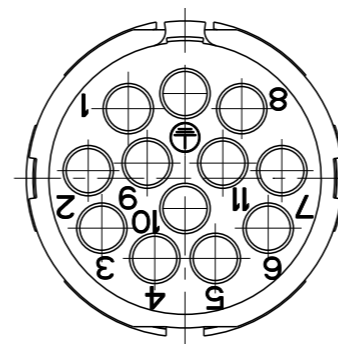
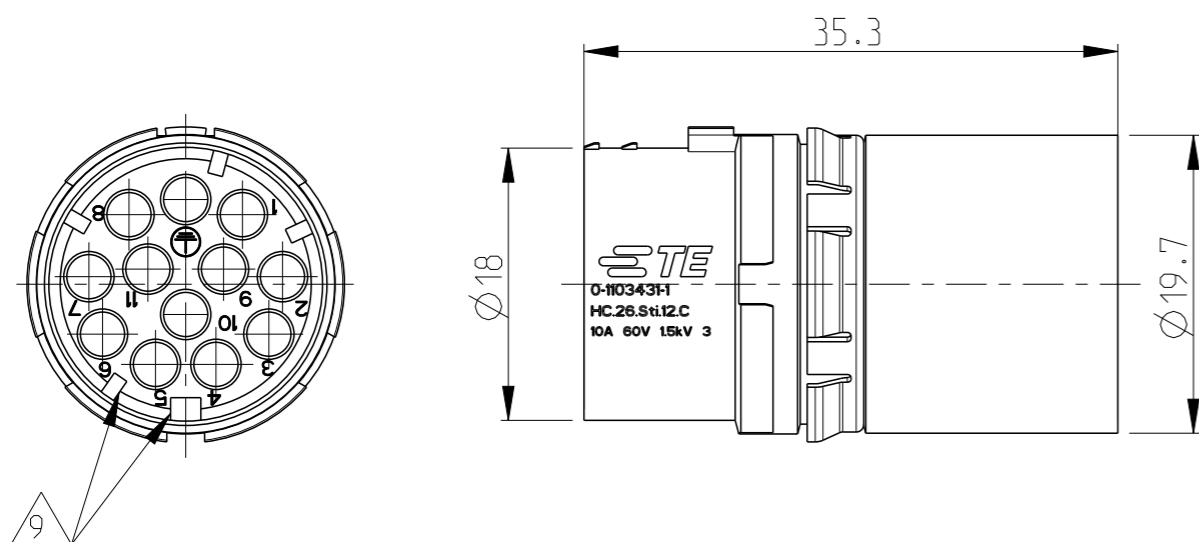


LOC	DIST
A1	-

REVISIONS					
P	LTR	DESCRIPTION	DATE	DWN	APVD
	C2	ECR-11-021475	18NOV2011	GW	BR
	C3	ECR-15-014241	27OCT2015	RK	JB
	C4	REV. PER ECR-16-000458	12JAN2016	ER	DO
	C5	PRINT (PARTIAL) MOVED TO ITEM NO. 1 (PCN E-17-007296)	01JUN2017	ER	DO



Notes

- 1 SUITABLE HOUSINGS: SERIES HC26  
CUSTOMER DRAWING: 1103433, 1103434
- 2 OUTER DIMENSIONS OF INSULATION: MAX. Ø3.2 MM
- 3 SUITABLE CRIMP CONTACTS:  
CUSTOMER DRAWING: 827040
- 4 SUITABLE SUB-MIN. COAXICON CONTACTS:  
CUSTOMER DRAWING: 51563
- 5 SUITABLE LWL (OPTICS) CONTACTS:  
CUSTOMER DRAWING: 216341
- 6 SUITABLE INSERTION TOOL:  
CUSTOMER DRAWING: 1102855
- 7 SUITABLE EXTRACTION TOOL:  
CUSTOMER DRAWING: 1102855
- 8 STANDARDS:  
DIN EN 61984, DIN EN 60664-1
- 9 POLARIZATION RIPS
- 10 PACKAGING:  
40 SETS IN A CARTON

PN 0-1 AS SHOWN

B3

QTY	DESCRIPTION	MATERIAL	SURFACE/COLOR	NOTE	ITEM
1	RETAINING RING	PA66-GF25	GREY	SERIES HC26, INSERT	2
1	MALE INSERT	PBT-GF10	GREY	SERIES HC26, 12-POS. TYPE III+	1

PARTS LIST

THIS DRAWING IS A CONTROLLED DOCUMENT.		DWN H.BRAUN 08NOV2007	<b>TE Connectivity</b>		
DIMENSIONS: mm		CHK T.VETTER 28OCT2008			
TOLERANCES UNLESS OTHERWISE SPECIFIED:		APVD T.SCHNURPFEL 28OCT2008	NAME MALE INSERT ASS'Y SERIES HC26, 12-POS., TYPE III+ CIRCULAR HYBRID CONNECTOR		
		PRODUCT SPEC 108-94485	SIZE A3	CAGE CODE 00779	DRAWING NO C=1103431
MATERIAL -		FINISH -	APPLICATION SPEC 114-94369	RESTRICTED TO	-
Customer Drawing			WEIGHT -	SCALE 2:1	SHEET 1 OF 1
			REV C5		

## X-ON Electronics

Largest Supplier of Electrical and Electronic Components

*Click to view similar products for [Heavy Duty Power Connectors](#) category:*

*Click to view products by [TE Connectivity](#) manufacturer:*

Other Similar products are found below :

[647757-1](#) [6643411-1](#) [6646058-2](#) [6646137-1](#) [6646138-1](#) [6646479-1](#) [6646608-1](#) [6646786-1](#) [6646940-1](#) [6651091-1](#) [6651525-1](#) [6651529-1](#)  
[6651788-1](#) [696475-1](#) [702-32-01109](#) [703-25-02205](#) [73000005059](#) [73000005642](#) [73080255059](#) [73080965046](#) [765-15-0080A](#) [765-16-0080B](#)  
[765-18-0080D](#) [829992-1](#) [902-77-02113](#) [PS00/A0620/6300](#) [PS25/A0420/63](#) [129-1J](#) [1409400](#) [AN0024023](#) [E6374G1](#) [e6389g2](#) [157-43GW8](#)  
[MS3117-14AC](#) [1643543-1](#) [1650540-1](#) [1651811-2](#) [1766260-1](#) [1766282-1](#) [1766966-1](#) [1791340000](#) [NLDFT-3-BL-L-S120-M40A](#) [NLDFT-N-](#)  
[W-L-C240-M40B](#) [NLS-2-R-C240-M40B](#) [NLS-N-W-C240-M40B](#) [NPS-3-BL-T6](#) [1986615-1](#) [2-1589900-8](#) [2199314-1](#) [KA8102](#)