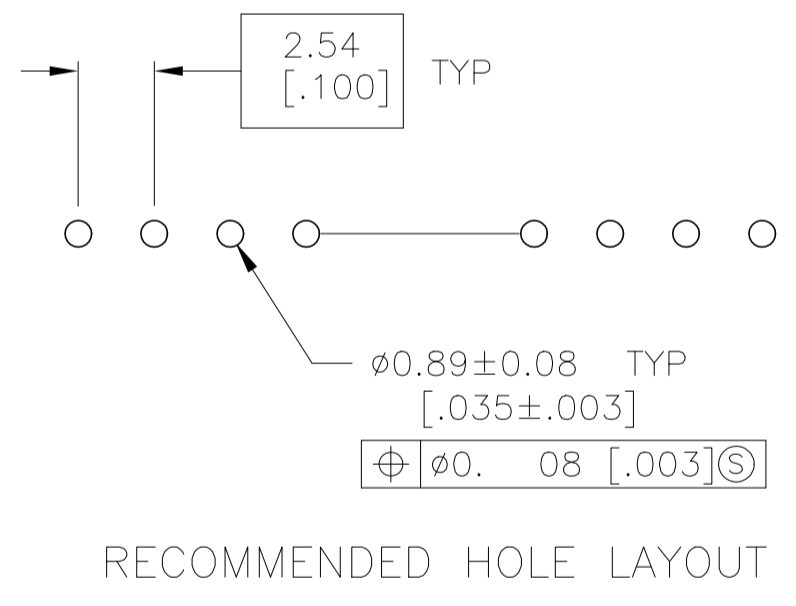
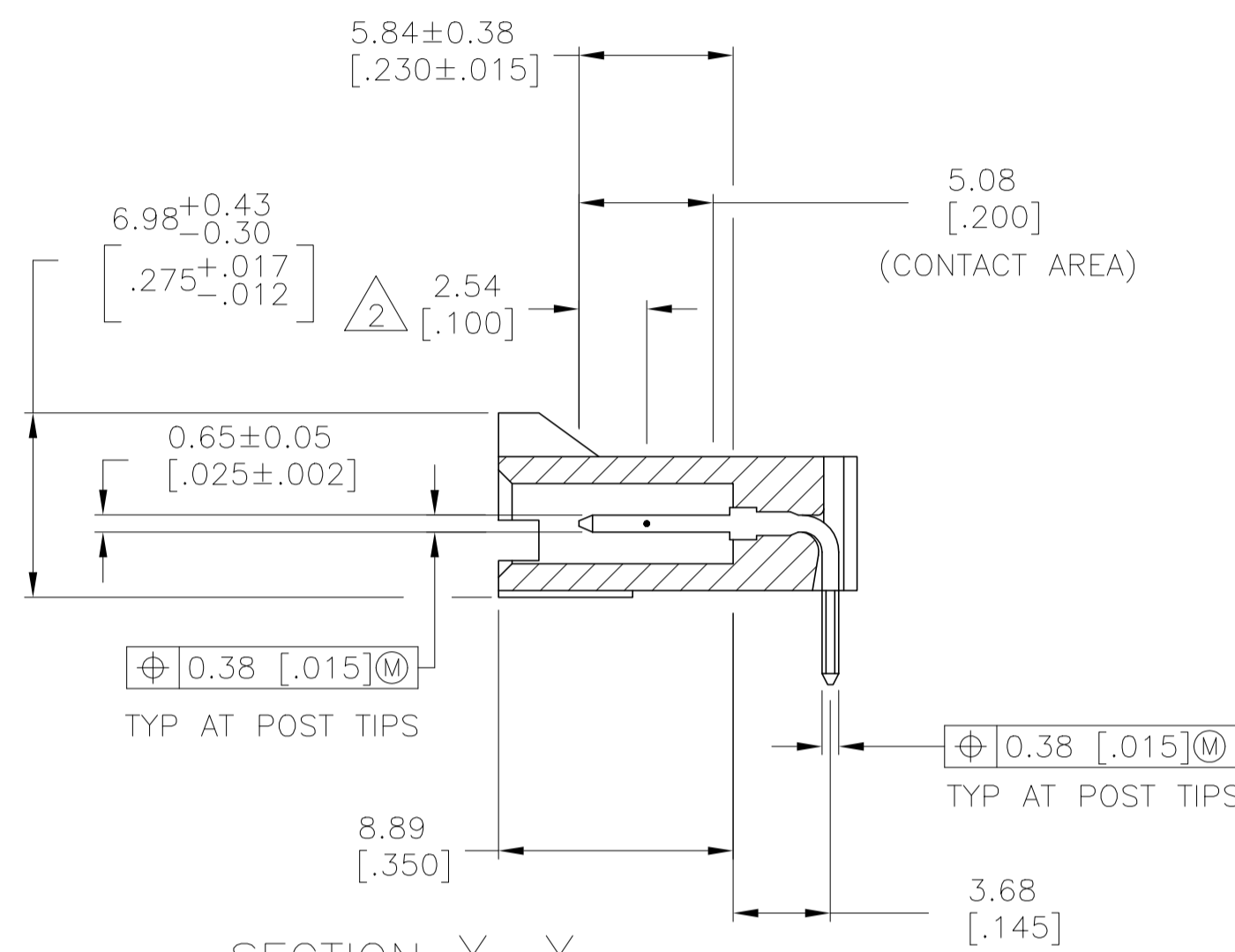
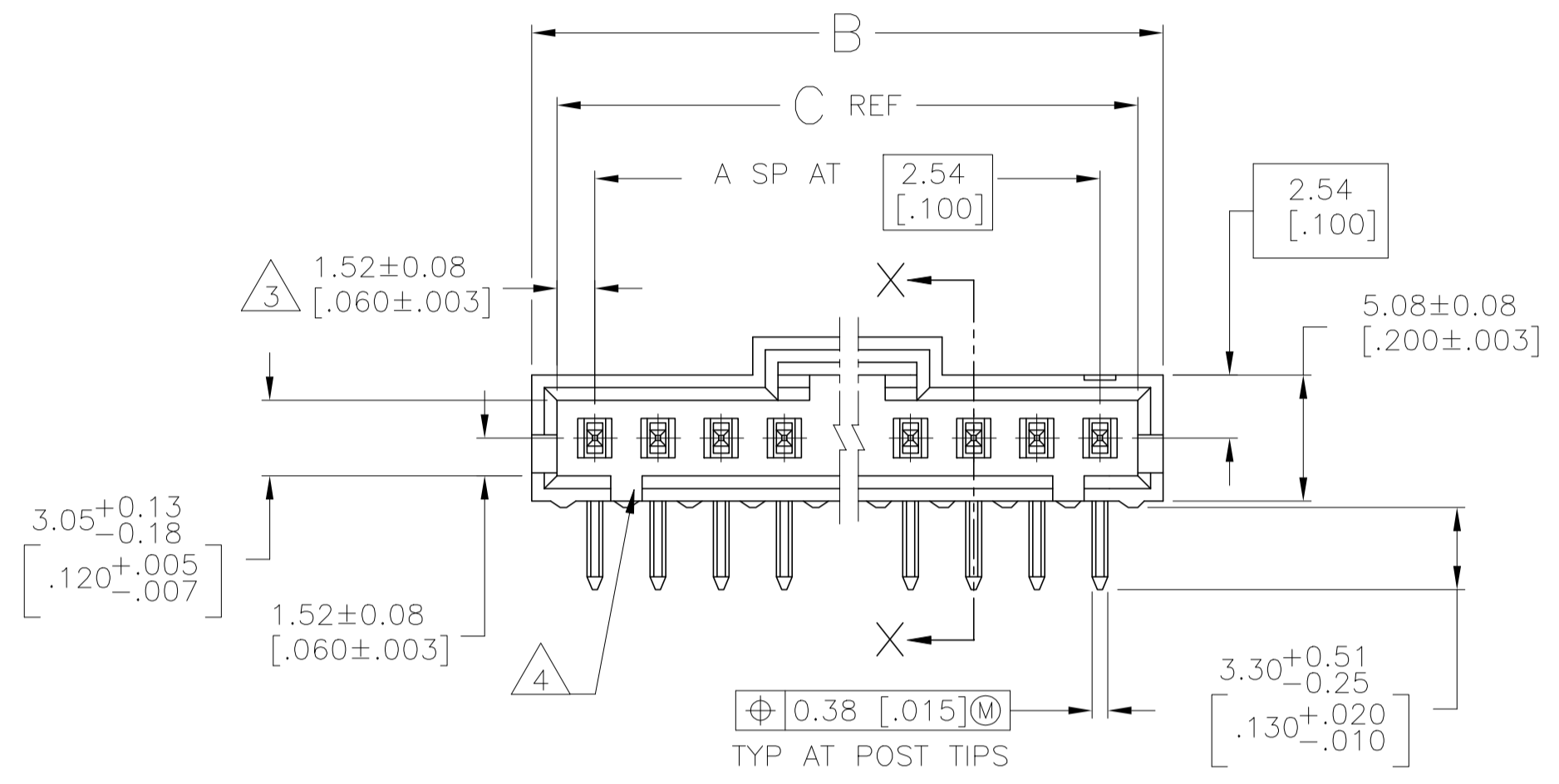
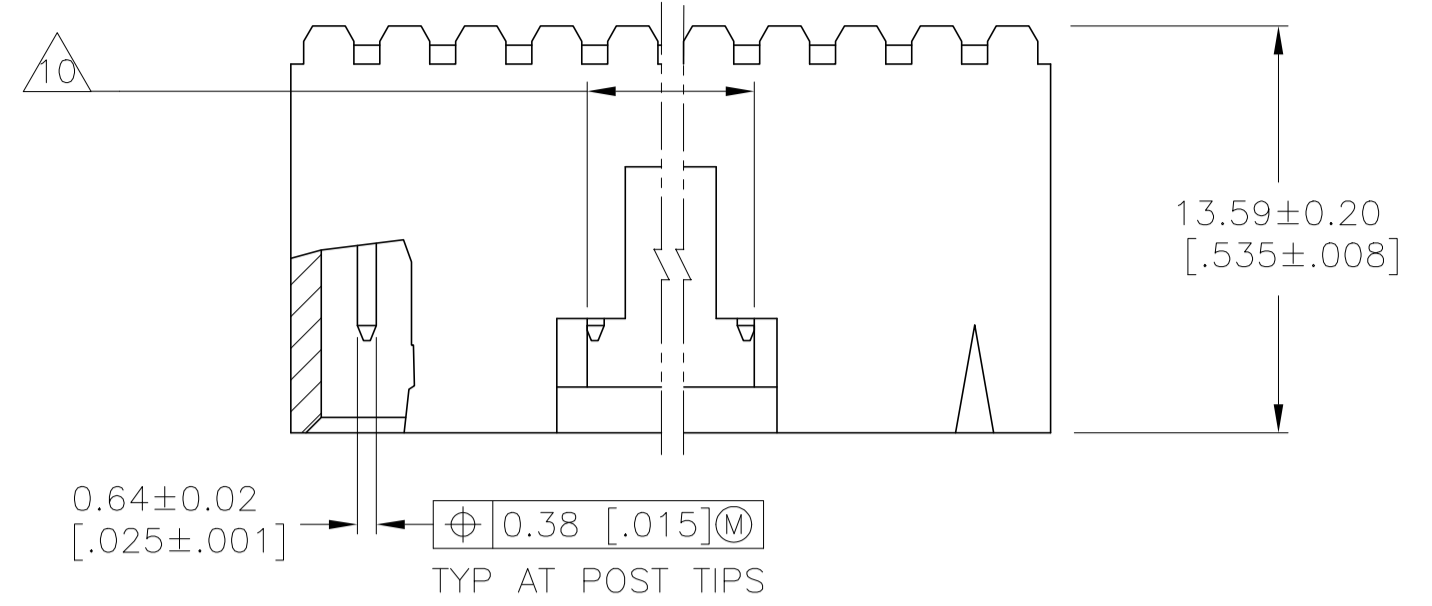


| REVISIONS | | | | | |
|-----------|-----|---------------------------|-----------|-----|------|
| P | LTR | DESCRIPTION | DATE | DRN | APVD |
| V | | REVISED PER ECO-17-002584 | 08APR2017 | BDA | MM |
| W | | REVISED PER ECO-20-001323 | 29MAY2020 | SM | JO |

- 1 .000100 BRIGHT TIN-LEAD OVER .000050 NICKEL.
- 2 POINT OF MEASUREMENT FOR PLATING THICKNESS.
- 3 THE NOTED DIMENSIONS APPLY AT THE INTERSECTION OF THE POST AND THE HOUSING.
- 4 ON ASSEMBLIES WITH FOUR OR MORE POSITIONS, TWO POLARIZATION SLOTS. ON ASSEMBLIES WITH TWO OR THREE POSITIONS, ONE POLARIZATION SLOT.
- 5 .000100 BRIGHT TIN OVER .000050 NICKEL.
- 6 PRELIMINARY PART - NOT RELEASED FOR PRODUCTION.
- 7 .000100 MATTE TIN OVER .000050 NICKEL.
- 8 HIGH TEMPERATURE CONFIGURATION
- 9 OBSOLETE PARTS: OBSOLETE CIS STREAMLINING PER D.RENAUD/D.SINISI
- 10 0.25 [.10] RECESS PERMISSIBLE IN THIS AREA FOR MOLD SHUT OFF



| REMARKS | PLATING | C | B | A | NO. OF POSN | PART NO. |
|---------|---------|---------------|---------------|----|-------------|------------|
| | | 64.01 [2.520] | 65.91 [2.595] | 24 | 25 | 7-103634-4 |
| | | 61.47 [2.420] | 63.37 [2.495] | 23 | 24 | 7-103634-3 |
| | | 58.93 [2.320] | 60.83 [2.395] | 22 | 23 | 7-103634-2 |
| | | 56.39 [2.220] | 58.29 [2.295] | 21 | 22 | 7-103634-1 |
| | | 53.85 [2.120] | 55.75 [2.195] | 20 | 21 | 7-103634-0 |
| | | 51.31 [2.020] | 53.21 [2.095] | 19 | 20 | 6-103634-9 |
| | | 48.77 [1.920] | 50.67 [1.995] | 18 | 19 | 6-103634-8 |
| | | 46.23 [1.820] | 48.13 [1.895] | 17 | 18 | 6-103634-7 |
| | | 43.69 [1.720] | 45.59 [1.795] | 16 | 17 | 6-103634-6 |
| | | 41.15 [1.620] | 43.05 [1.695] | 15 | 16 | 6-103634-5 |
| | | 38.61 [1.520] | 40.51 [1.595] | 14 | 15 | 6-103634-4 |
| | | 36.07 [1.420] | 37.97 [1.495] | 13 | 14 | 6-103634-3 |
| | | 33.53 [1.320] | 35.43 [1.395] | 12 | 13 | 6-103634-2 |
| | | 30.99 [1.220] | 32.89 [1.295] | 11 | 12 | 6-103634-1 |
| | | 28.45 [1.120] | 30.35 [1.195] | 10 | 11 | 6-103634-0 |
| | | 25.91 [1.020] | 27.81 [1.095] | 9 | 10 | 5-103634-9 |
| | | 23.37 [.920] | 25.27 [.995] | 8 | 9 | 5-103634-8 |
| | | 20.83 [.820] | 22.73 [.895] | 7 | 8 | 5-103634-7 |
| | | 18.29 [.720] | 20.19 [.795] | 6 | 7 | 5-103634-6 |
| | | 15.75 [.620] | 17.65 [.695] | 5 | 6 | 5-103634-5 |
| | | 13.21 [.520] | 15.11 [.595] | 4 | 5 | 5-103634-4 |
| | | 10.67 [.420] | 12.57 [.495] | 3 | 4 | 5-103634-3 |
| | | 8.13 [.320] | 10.03 [.395] | 2 | 3 | 5-103634-2 |
| | | 5.59 [.220] | 7.49 [.295] | 1 | 2 | 5-103634-1 |

9 SUPERCEDED BY 7-103634-4

OBSOLETE

9 SUPERCEDED BY 6-103634-6

| REMARK | PLATING | C | B | A | NO. OF POSN | PART NO. |
|--------|---------|---------------|---------------|----|-------------|------------|
| | | 30.99 [1.220] | 32.89 [1.295] | 11 | 12 | 3-103634-4 |
| | | 25.91 [1.020] | 27.81 [1.095] | 9 | 10 | 3-103634-3 |
| | | 23.37 [.920] | 25.27 [.995] | 8 | 9 | 3-103634-2 |
| | | 18.29 [.720] | 20.19 [.795] | 6 | 7 | 3-103634-1 |
| | | 15.75 [.620] | 17.65 [.695] | 5 | 6 | 3-103634-0 |
| | | 5.59 [.220] | 7.49 [.295] | 1 | 2 | 2-103634-9 |
| | | 41.15 [1.620] | 43.05 [1.695] | 15 | 16 | 2-103634-8 |
| | | 13.21 [.520] | 15.11 [.595] | 4 | 5 | 2-103634-7 |
| | | 10.67 [.420] | 12.57 [.495] | 3 | 4 | 2-103634-6 |
| | | 8.13 [.320] | 10.03 [.395] | 2 | 3 | 2-103634-5 |
| | | 64.01 [2.520] | 65.91 [2.595] | 24 | 25 | 2-103634-4 |
| | | 61.47 [2.420] | 63.37 [2.495] | 23 | 24 | 2-103634-3 |
| | | 58.93 [2.320] | 60.83 [2.395] | 22 | 23 | 2-103634-2 |
| | | 56.39 [2.220] | 58.29 [2.295] | 21 | 22 | 2-103634-1 |
| | | 53.85 [2.120] | 55.75 [2.195] | 20 | 21 | 2-103634-0 |
| | | 51.31 [2.020] | 53.21 [2.095] | 19 | 20 | 1-103634-9 |
| | | 48.77 [1.920] | 50.67 [1.995] | 18 | 19 | 1-103634-8 |
| | | 46.23 [1.820] | 48.13 [1.895] | 17 | 18 | 1-103634-7 |
| | | 43.69 [1.720] | 45.59 [1.795] | 16 | 17 | 1-103634-6 |
| | | 41.15 [1.620] | 43.05 [1.695] | 15 | 16 | 1-103634-5 |
| | | 38.61 [1.520] | 40.51 [1.595] | 14 | 15 | 1-103634-4 |
| | | 36.07 [1.420] | 37.97 [1.495] | 13 | 14 | 1-103634-3 |
| | | 33.53 [1.320] | 35.43 [1.395] | 12 | 13 | 1-103634-2 |
| | | 30.99 [1.220] | 32.89 [1.295] | 11 | 12 | 1-103634-1 |
| | | 28.45 [1.120] | 30.35 [1.195] | 10 | 11 | 1-103634-0 |
| | | 25.91 [1.020] | 27.81 [1.095] | 9 | 10 | 103634-9 |
| | | 23.37 [.920] | 25.27 [.995] | 8 | 9 | 103634-8 |
| | | 20.83 [.820] | 22.73 [.895] | 7 | 8 | 103634-7 |
| | | 18.29 [.720] | 20.19 [.795] | 6 | 7 | 103634-6 |
| | | 15.75 [.620] | 17.65 [.695] | 5 | 6 | 103634-5 |
| | | 13.21 [.520] | 15.11 [.595] | 4 | 5 | 103634-4 |
| | | 10.67 [.420] | 12.57 [.495] | 3 | 4 | 103634-3 |
| | | 8.13 [.320] | 10.03 [.395] | 2 | 3 | 103634-2 |
| | | 5.59 [.220] | 7.49 [.295] | 1 | 2 | 103634-1 |

THIS DRAWING IS A CONTROLLED DOCUMENT.

DRN: S. SHUEY 3-5-91
 DWR: L. CASTAGNA 3-27-91
 APVD: L. CASTAGNA 3-27-91

DIMENSIONS: mm [INCHES]

TOLERANCES UNLESS OTHERWISE SPECIFIED:
 0 PLC ±
 1 PLC ±
 2 PLC ±
 3 PLC ±
 4 PLC ±
 ANGLES ±

MATERIAL: HOUSING: FLAME RETARDENT LCP, COLOR BLACK CONTACTS: BRASS

FINISH: SEE TABLE

SCALE: 4:1

SHEET 1 OF 1

REV W

STE TE Connectivity

HDRASSY, RTANGLE, SINGLEROW, 2.54[.100]C/LO.64[.025]SOPST, WITHPLZN&LATCHING, AMPMODUMTE

108-25034
 APPLICATION SPEC
 114-25026

SIZE: A1 CAGE CODE: 00779 DRAWING NO: 103634

CUSTOMER DRAWING

X-ON Electronics

Largest Supplier of Electrical and Electronic Components

Click to view similar products for [Headers & Wire Housings](#) category:

Click to view products by [TE Connectivity](#) manufacturer:

Other Similar products are found below :

[892-18-020-10-001101](#) [58102-G61-06LF](#) [582553-1](#) [0009485154](#) [009176003701906](#) [0050291907](#) [LY20-4P-DT1-P1E-BR](#) [02.125.8002.8](#)
[609-3404](#) [61062-3](#) [61082-181009](#) [622-3653LF](#) [63453-116](#) [636-1030](#) [636-1427](#) [636-3427](#) [636-4007](#) [641938-9](#) [641991-4](#) [644827-2](#) [65817-](#)
[010LF](#) [65817-015LF](#) [65863-015LF](#) [66207-023LF](#) [67095-007LF](#) [67601157](#) [68645-018](#) [68648-049](#) [70.362.1628.0](#) [70-4210](#) [70-4226B](#) [70-](#)
[4853B](#) [707-5020](#) [707-5028](#) [71.350.2428.0](#) [71918-208LF](#) [71961-016LF](#) [733-134](#) [733-162](#) [754199-000](#) [760-3052](#) [787-8014-00](#) [79531-3000](#)
[FCN-360C032-B](#) [FCN-367T-T012/H](#) [FCN-723D010/2](#) [80.063.4001.1](#) [800-90-001-10-001000](#) [800-90-010-10-002000](#) [801-43-002-10-013000](#)