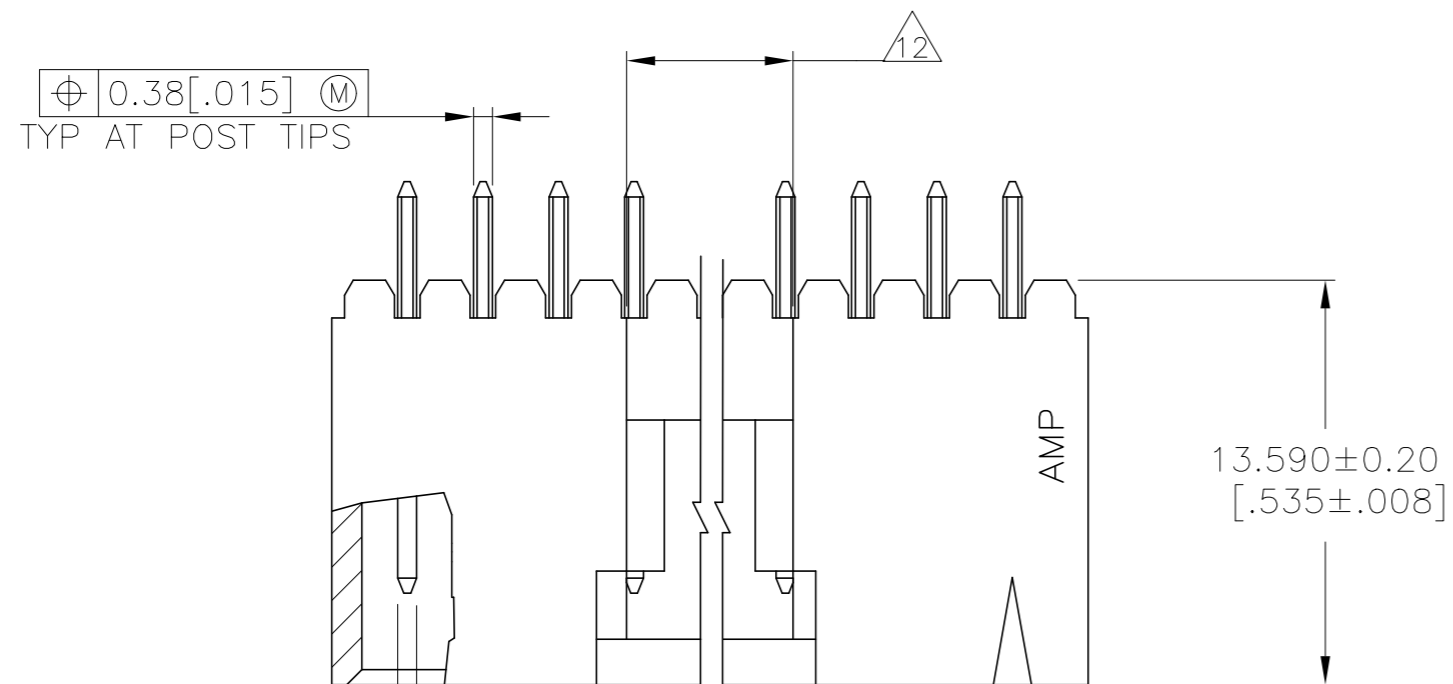
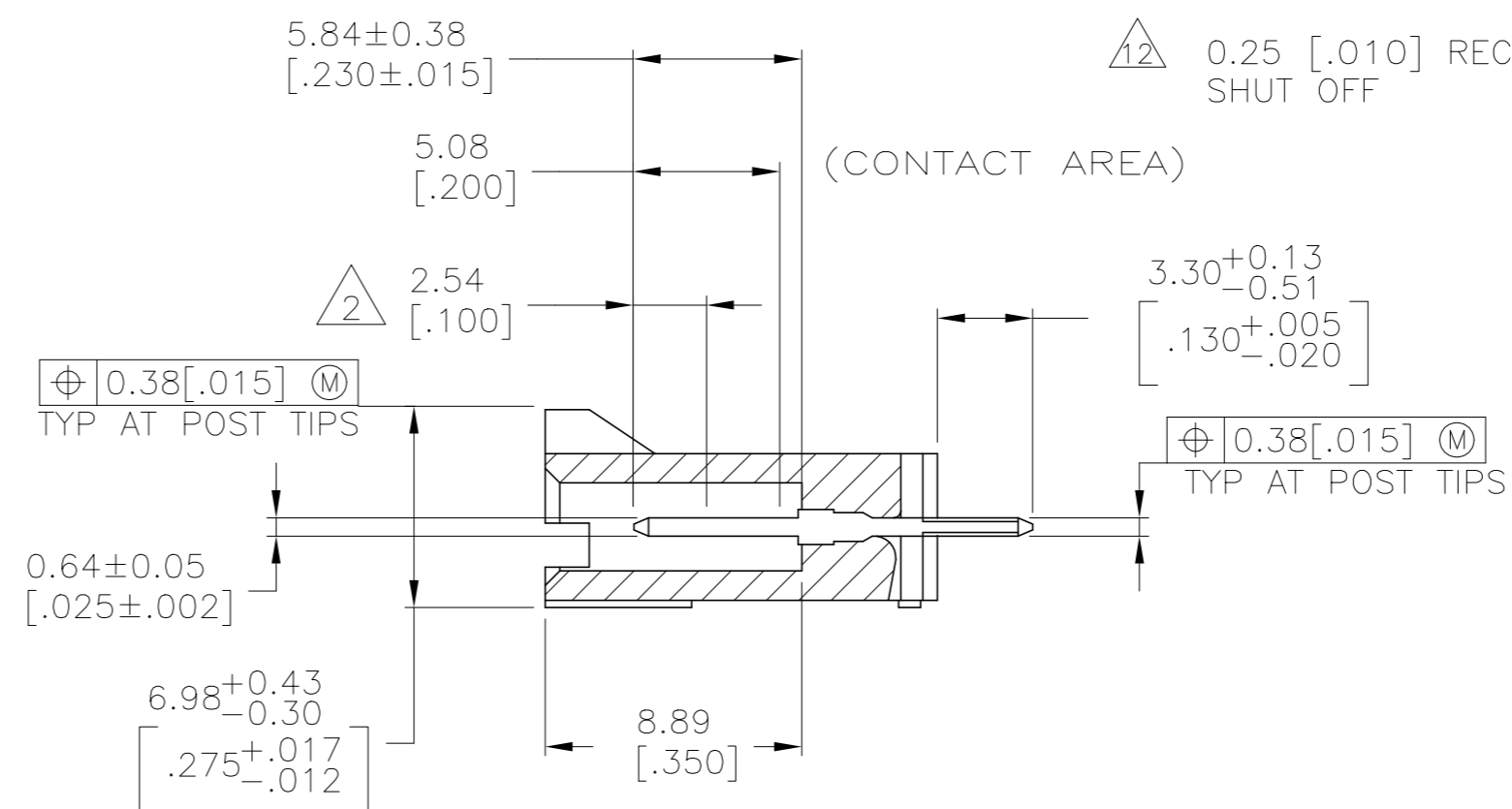
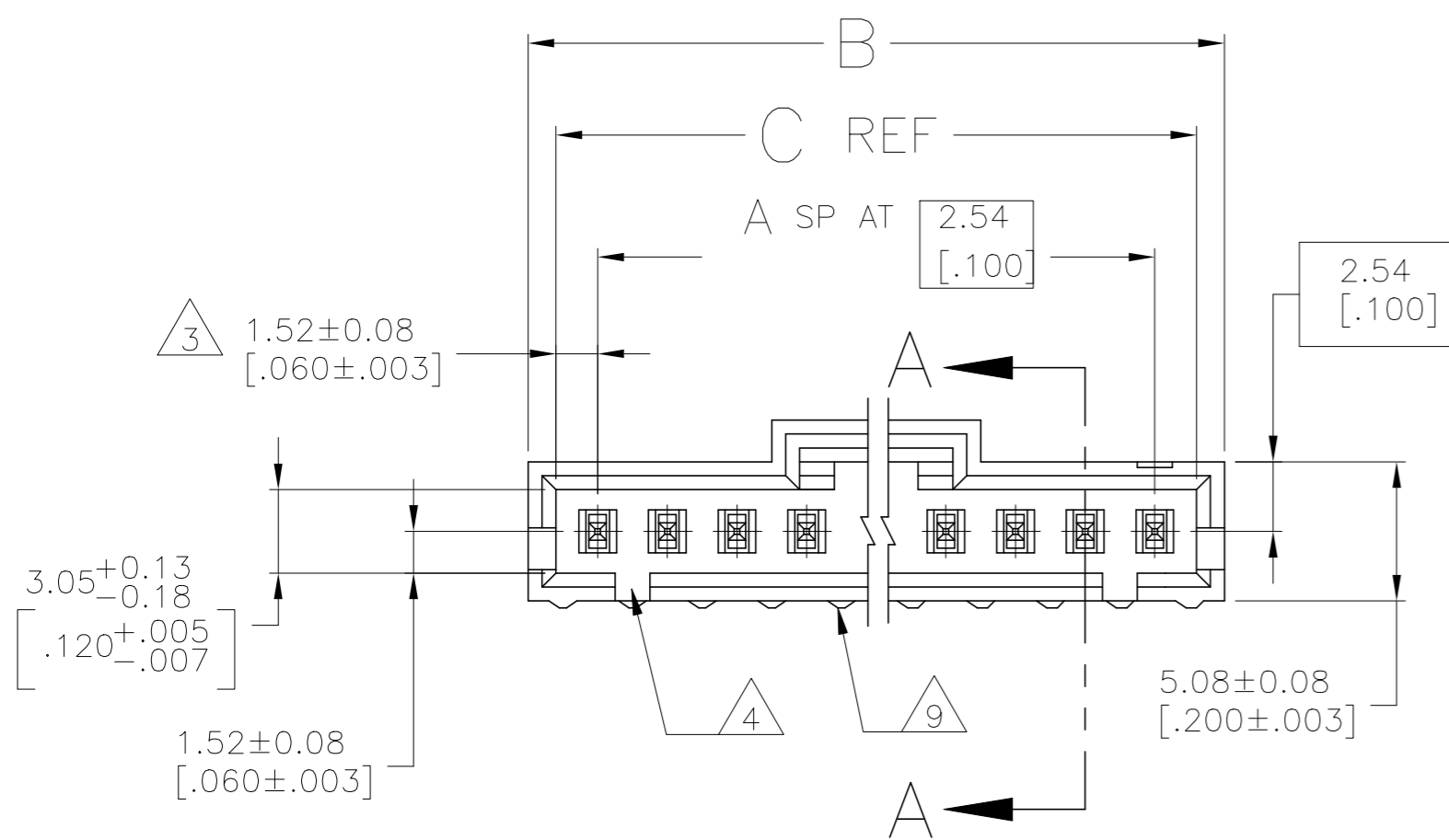


THIS DRAWING IS UNPUBLISHED. RELEASED FOR PUBLICATION 103639, 103639
 © COPYRIGHT 103639MM ALL RIGHTS RESERVED.

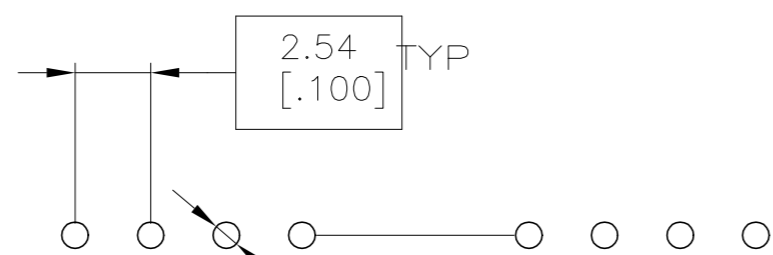
REVISIONS					
P	LTR	DESCRIPTION	DATE	DWN	APVD
Z		REVISED PER ECO-17-015890	31OCT2017	RS	MM
AA		REVISED PER ECO-20-001323	17JUN2020	SM	JO



0.64 ± 0.02 [.025 ± .001] $\oplus 0.38 [0.015] \text{ M}$
 TYP AT POST TIPS



SECTION A-A



$\phi 0.89 \pm 0.08$
 $[\phi 0.035 \pm .003]$ TYP
 $\oplus \phi 0.08 [0.003] \text{ S}$
 RECOMMENDED HOLE LAYOUT

- 1 .000100 BRIGHT TIN-LEAD OVER .000050 NICKEL.
- 2 POINT OF MEASUREMENT FOR PLATING THICKNESS.
- 3 THE NOTED DIMENSIONS APPLY AT THE INTERSECTION OF THE POST AND THE HOUSING.
- 4 ON ASSEMBLIES WITH FOUR OR MORE POSITIONS, TWO POLARIZATION SLOTS. ON ASSEMBLIES WITH TWO OR THREE POSITIONS, ONE POLARIZATION SLOT.
- 5 .000100 BRIGHT TIN OVER .000050 NICKEL.
- 6 PRELIMINARY PART-NOT RELEASED FOR PRODUCTION.
- 7 .000100 MATTE TIN OVER .000050 NICKEL.
- 8 HIGH TEMPERATURE CONFIGURATION
- 9 STANDOFFS NOT PRESENT ON UNDERSIDE OF ASSEMBLY
- 10 SUPERSEDED BY P/N 5-103639-2.
- 11 OBSOLETE PARTS: OBSOLETE CIS STREAMLINING PER D.RENAUD/D.SINISI
- 12 0.25 [.010] RECESS PERMISSIBLE IN THIS AREA FOR MOLD SHUT OFF

THIS DRAWING IS A CONTROLLED DOCUMENT.		DWN S.SHUEY 05MAR91		
		CHK L.CASTAGNA 27MAR93		
DIMENSIONS: mm [INCHES]		APVD L.CASTAGNA 27MAR93	NAME	
TOLERANCES UNLESS OTHERWISE SPECIFIED:		PRODUCT SPEC		
0 PLC ± -		108-25034		
1 PLC ± -		APPLICATION SPEC		
2 PLC ± 0.13[.005]		114-25026		
3 PLC ± -		SIZE CAGE CODE DRAWING NO RESTRICTED TO		
4 PLC ± -		A2 - C=103639 -		
ANGLES ± -		SCALE SHEET REV		
MATERIAL HOUSING: SEE TABLE		CUSTOMER DRAWING 4:1 1 of 2 AA		

THIS DRAWING IS UNPUBLISHED. RELEASED FOR PUBLICATION 103639, 103639
 © COPYRIGHT 103639y - ALL RIGHTS RESERVED.

REVISIONS					
P	LTR	DESCRIPTION	DATE	DWN	APVD
-	-	SEE SHEET 1	-	-	-

REMARKS	PLATING	C	B	A	NO. OF POSN	PART NO.
OBSELETE						7-103639-4
OBSELETE						7-103639-3
OBSELETE						7-103639-2
						7-103639-1
OBSELETE						7-103639-0
						6-103639-9
OBSELETE						6-103639-8
OBSELETE						6-103639-7
						6-103639-6
						6-103639-5
						6-103639-4
						6-103639-3
						6-103639-2
						6-103639-1
						6-103639-0
						5-103639-9
						5-103639-8
						5-103639-7
						5-103639-6
						5-103639-5
						5-103639-4
						5-103639-3
						5-103639-2
						5-103639-1

11 SUPERSEDED BY 7-103639-1
 11 SUPERSEDED BY 6-103639-0

						3-103639-3
						3-103639-2
						3-103639-1
						3-103639-0
						2-103639-9
						2-103639-8
						2-103639-7
						2-103639-6
						2-103639-5
						2-103639-4
						2-103639-3
						2-103639-2
						2-103639-1
						2-103639-0
						1-103639-9
						1-103639-8
						1-103639-7
						1-103639-6
						1-103639-5
						1-103639-4
						1-103639-3
						1-103639-2
						1-103639-1
						1-103639-0
						103639-9
						103639-8
						103639-7
						103639-6
						103639-5
						103639-4
						103639-3
						103639-2
						103639-1

THIS DRAWING IS A CONTROLLED DOCUMENT. DWN S.SHUEY 05MAR91
 CHK L.CASTAGNA 27MAR93
 APVD L.CASTAGNA 27MAR93

TE TE Connectivity

HDR ASY,VERT,SNGL ROW
 2.54[.100]C/L 0.64[.025]JSQ PST,
 WTH PLZN<CHNG,AMP MODU MTE

108-25034
 114-25026

SIZE A2 CAGE CODE - DRAWING NO. C=103639 RESTRICTED TO -
 CUSTOMER DRAWING SCALE 1:1 SHEET 2 of 2 REV AA

X-ON Electronics

Largest Supplier of Electrical and Electronic Components

Click to view similar products for [Headers & Wire Housings](#) category:

Click to view products by [TE Connectivity](#) manufacturer:

Other Similar products are found below :

[95000-104TRLF](#) [10135584-644402LF](#) [DF62W-EP2022PCA](#) [95000-106TRLF](#) [DF62W-2022SCA](#) [DF62W-EP2022PC](#) [2203348](#) [DF62W-2022SC](#) [1084018](#) [1029039](#) [1084017](#) [802-10-012-10-002000](#) [1112640](#) [1112639](#) [000-34000](#) [0009482033](#) [0009507031](#) [57102-S06-03LF](#) [57202-S52-04LF](#) [PCN6-15S-2.5E](#) [0039019024](#) [58102-G61-06LF](#) [582553-1](#) [0009508121](#) [0050291907](#) [018731A](#) [LY20-4P-DT1-P1E-BR](#) [02.125.8002.8](#) [60101931](#) [60598-1 \(Cut Strip\)](#) [M1625-3R/100](#) [61062-3](#) [61082-181009](#) [636-1427](#) [638009-1](#) [641938-9](#) [641991-4](#) [644168-1](#) [647662-1](#) [65039-019ELF](#) [65817-002LF](#) [65817-015LF](#) [65863-015LF](#) [66207-023LF](#) [67016-026LF](#) [67046-001LF](#) [67095-007LF](#) [68002-116](#) [68016-236H](#) [68648-049](#)