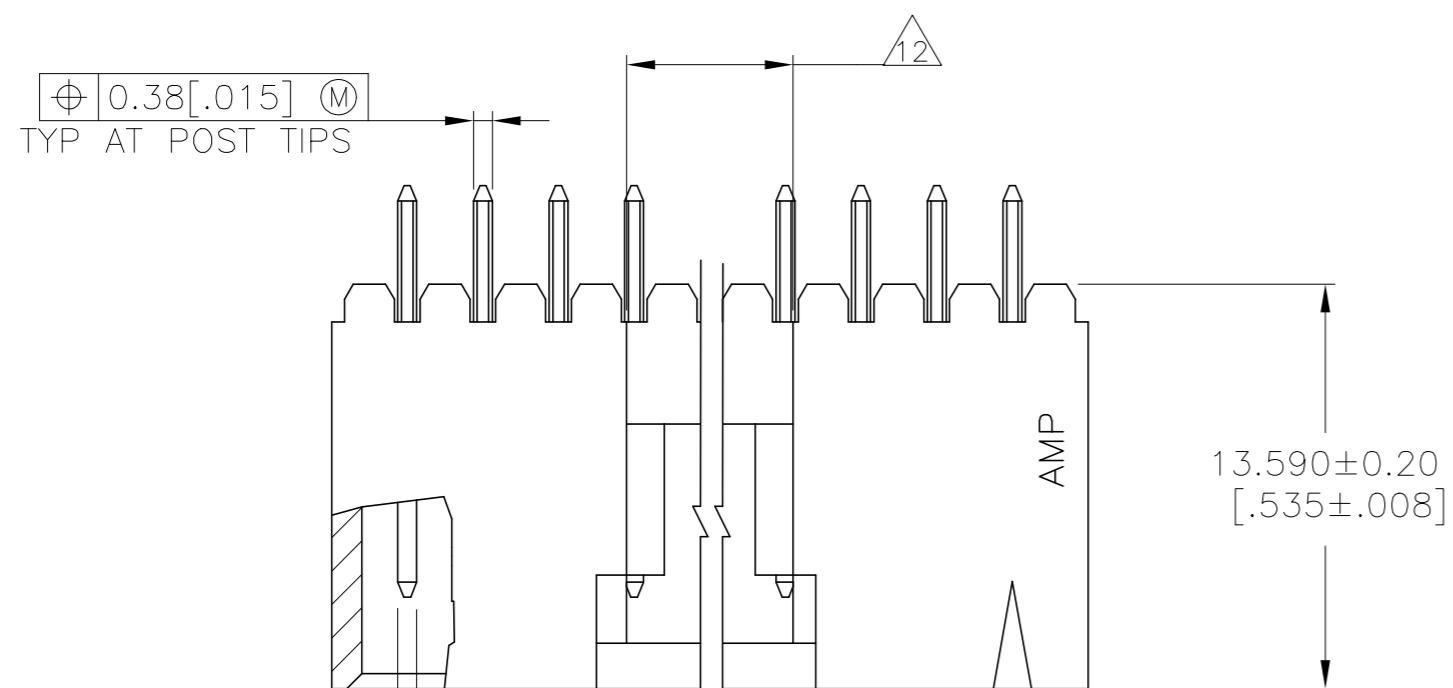
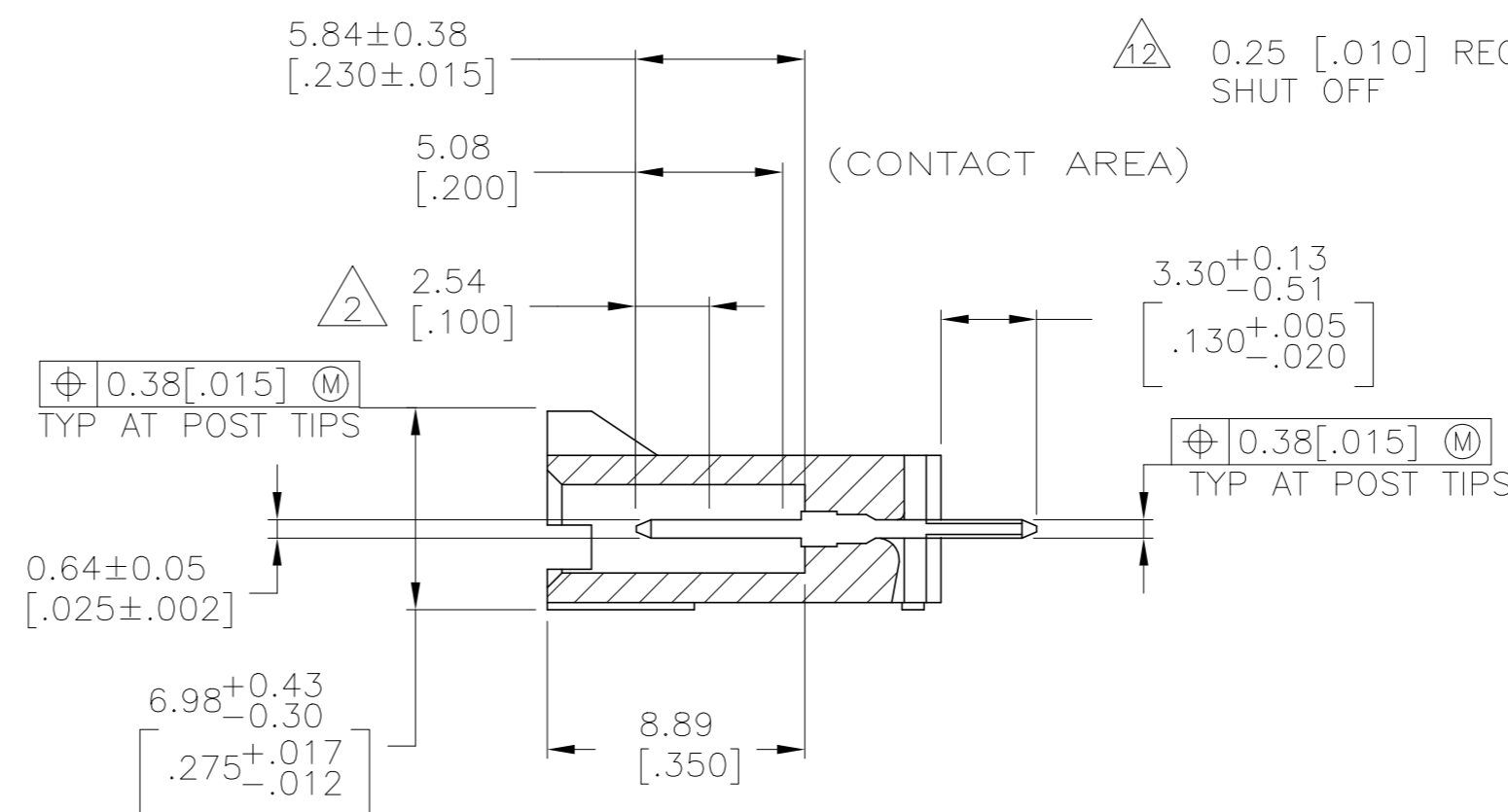
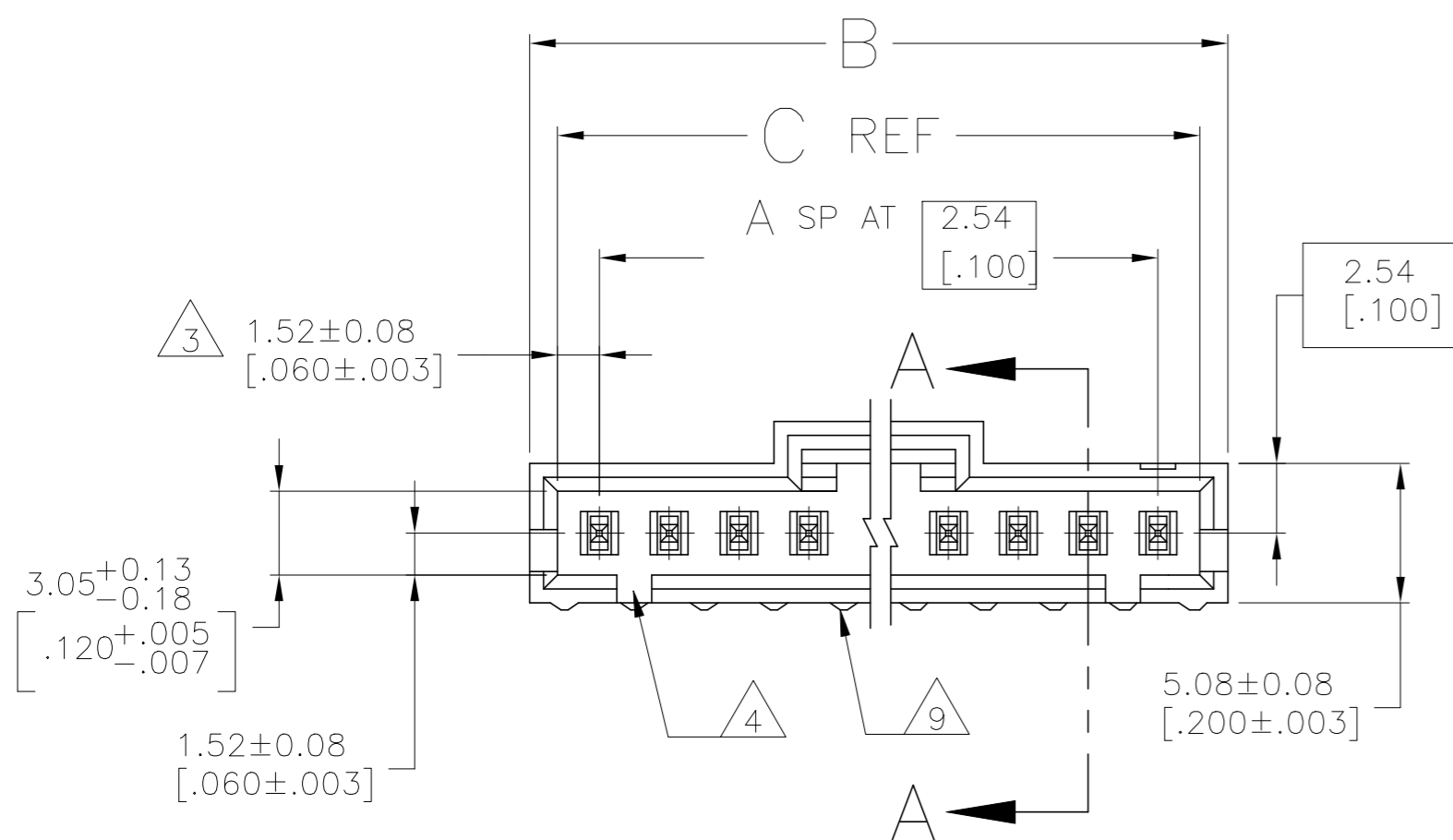


THIS DRAWING IS UNPUBLISHED. RELEASED FOR PUBLICATION 103639, 103639
 © COPYRIGHT 103639MM ALL RIGHTS RESERVED.

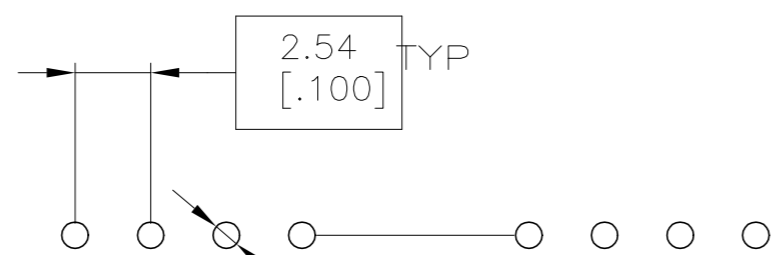
REVISIONS					
P	LTR	DESCRIPTION	DATE	DWN	APVD
Z		REVISED PER ECO-17-015890	31OCT2017	RS	MM
AA		REVISED PER ECO-20-001323	17JUN2020	SM	JO



0.64 ± 0.02 [.025 ± .001] $\oplus 0.38 [0.015] \text{ M}$
 TYP AT POST TIPS



SECTION A-A



$\phi 0.89 \pm 0.08$
 $[\phi 0.035 \pm .003]$ TYP
 $\oplus \phi 0.08 [0.003] \text{ S}$
 RECOMMENDED HOLE LAYOUT

- 1 .000100 BRIGHT TIN-LEAD OVER .000050 NICKEL.
- 2 POINT OF MEASUREMENT FOR PLATING THICKNESS.
- 3 THE NOTED DIMENSIONS APPLY AT THE INTERSECTION OF THE POST AND THE HOUSING.
- 4 ON ASSEMBLIES WITH FOUR OR MORE POSITIONS, TWO POLARIZATION SLOTS. ON ASSEMBLIES WITH TWO OR THREE POSITIONS, ONE POLARIZATION SLOT.
- 5 .000100 BRIGHT TIN OVER .000050 NICKEL.
- 6 PRELIMINARY PART-NOT RELEASED FOR PRODUCTION.
- 7 .000100 MATTE TIN OVER .000050 NICKEL.
- 8 HIGH TEMPERATURE CONFIGURATION
- 9 STANDOFFS NOT PRESENT ON UNDERSIDE OF ASSEMBLY
- 10 SUPERSEDED BY P/N 5-103639-2.
- 11 OBSOLETE PARTS: OBSOLETE CIS STREAMLINING PER D.RENAUD/D.SINISI
- 12 0.25 [.010] RECESS PERMISSIBLE IN THIS AREA FOR MOLD SHUT OFF

THIS DRAWING IS A CONTROLLED DOCUMENT.		DWN S.SHUEY 05MAR91		
		CHK L.CASTAGNA 27MAR93		
DIMENSIONS: mm [INCHES]		APVD L.CASTAGNA 27MAR93	NAME	
TOLERANCES UNLESS OTHERWISE SPECIFIED:		PRODUCT SPEC		
0 PLC ± -		108-25034		
1 PLC ± -		APPLICATION SPEC		
2 PLC ± 0.13[.005]		114-25026		
3 PLC ± -		SIZE CAGE CODE DRAWING NO RESTRICTED TO		
4 PLC ± -		A2 - C=103639 -		
ANGLES ± -		CUSTOMER DRAWING SCALE 4:1 SHEET 1 of 2 REV AA		
MATERIAL HOUSING: SEE TABLE		WEIGHT -		

THIS DRAWING IS UNPUBLISHED. RELEASED FOR PUBLICATION 103639 , 103639
 © COPYRIGHT 103639y - ALL RIGHTS RESERVED.

REVISIONS					
P	LTR	DESCRIPTION	DATE	DWN	APVD
-	-	SEE SHEET 1	-	-	-

REMARKS	PLATING	C	B	A	NO. OF POSN	PART NO.
9/8	7	64.01 [2.520]	65.91 [2.595]	24	25	7-103639-4
9/8	7	61.47 [2.420]	63.37 [2.495]	23	24	7-103639-3
9/8	7	58.93 [2.320]	60.83 [2.395]	22	23	7-103639-2
9/8	7	56.39 [2.220]	58.29 [2.295]	21	22	7-103639-1
9/8	7	53.85 [2.120]	55.75 [2.195]	20	21	7-103639-0
9/8	7	51.31 [2.020]	53.21 [2.095]	19	20	6-103639-9
9/8	7	48.77 [1.920]	50.67 [1.995]	18	19	6-103639-8
9/8	7	46.23 [1.820]	48.13 [1.895]	17	18	6-103639-7
9/8	7	43.69 [1.720]	45.59 [1.795]	16	17	6-103639-6
9/8	7	41.15 [1.620]	43.05 [1.695]	15	16	6-103639-5
9/8	7	38.61 [1.520]	40.51 [1.595]	14	15	6-103639-4
9/8	7	36.07 [1.420]	37.97 [1.495]	13	14	6-103639-3
9/8	7	33.53 [1.320]	35.43 [1.395]	12	13	6-103639-2
9/8	7	30.99 [1.220]	32.89 [1.295]	11	12	6-103639-1
9/8	7	28.45 [1.120]	30.35 [1.195]	10	11	6-103639-0
9/8	7	25.91 [1.020]	27.81 [1.095]	9	10	5-103639-9
9/8	7	23.37 [.920]	25.27 [0.995]	8	9	5-103639-8
9/8	7	20.83 [.820]	22.73 [.895]	7	8	5-103639-7
9/8	7	18.29 [.720]	20.19 [.795]	6	7	5-103639-6
9/8	7	15.75 [.620]	17.65 [.695]	5	6	5-103639-5
9/8	7	13.21 [.520]	15.11 [.595]	4	5	5-103639-4
9/8	7	10.67 [.420]	12.57 [.495]	3	4	5-103639-3
9/8	7	8.13 [.320]	10.03 [.395]	2	3	5-103639-2
9/8	7	5.59 [.220]	7.49 [.295]	1	2	5-103639-1

11/11 OBSOLETE
 11/11 OBSOLETE
 11/11 OBSOLETE
 11/11 SUPERSEDED BY 7-103639-1
 11/11 OBSOLETE

11/11 SUPERSEDED BY 6-103639-0

8	5	15.75 [.620]	17.65 [.695]	5	6	3-103639-3
8	5	10.67 [.420]	12.57 [.495]	3	4	3-103639-2
10/8	5	8.13 [.320]	10.03 [.395]	2	3	3-103639-1
8	5	30.99 [1.220]	32.89 [1.295]	11	12	3-103639-0
8	5	25.91 [1.020]	27.81 [1.095]	9	10	2-103639-9
8	5	20.83 [.820]	22.73 [.895]	7	8	2-103639-8
6/8	5	18.29 [.720]	20.19 [.795]	6	7	2-103639-7
8	5	13.21 [.520]	15.11 [.595]	4	5	2-103639-6
8	5	5.59 [.220]	7.49 [.295]	1	2	2-103639-5
8	1	64.01 [2.520]	65.91 [2.595]	24	25	2-103639-4
8	1	61.47 [2.420]	63.37 [2.495]	23	24	2-103639-3
8	1	58.93 [2.320]	60.83 [2.395]	22	23	2-103639-2
8	1	56.39 [2.220]	58.29 [2.295]	21	22	2-103639-1
8	1	53.85 [2.120]	55.75 [2.195]	20	21	2-103639-0
8	1	51.31 [2.020]	53.21 [2.095]	19	20	1-103639-9
8	1	48.77 [1.920]	50.67 [1.995]	18	19	1-103639-8
8	1	46.23 [1.820]	48.13 [1.895]	17	18	1-103639-7
8	1	43.69 [1.720]	45.59 [1.795]	16	17	1-103639-6
8	1	41.15 [1.620]	43.05 [1.695]	15	16	1-103639-5
8	1	38.61 [1.520]	40.51 [1.595]	14	15	1-103639-4
8	1	36.07 [1.420]	37.97 [1.495]	13	14	1-103639-3
8	1	33.53 [1.320]	35.43 [1.395]	12	13	1-103639-2
8	1	30.99 [1.220]	32.89 [1.295]	11	12	1-103639-1
8	1	28.45 [1.120]	30.35 [1.195]	10	11	1-103639-0
8	1	25.91 [1.020]	27.81 [1.095]	9	10	103639-9
8	1	23.37 [.920]	25.27 [0.995]	8	9	103639-8
8	1	20.83 [.820]	22.73 [.895]	7	8	103639-7
8	1	18.29 [.720]	20.19 [.795]	6	7	103639-6
8	1	15.75 [.620]	17.65 [.695]	5	6	103639-5
8	1	13.21 [.520]	15.11 [.595]	4	5	103639-4
8	1	10.67 [.420]	12.57 [.495]	3	4	103639-3
8	1	8.13 [.320]	10.03 [.395]	2	3	103639-2
8	1	5.59 [.220]	7.49 [.295]	1	2	103639-1

THIS DRAWING IS A CONTROLLED DOCUMENT.		DWN S.SHUEY 05MAR91			
DIMENSIONS: mm [INCHES]		CHK L.CASTAGNA 27MAR93			
TOLERANCES UNLESS OTHERWISE SPECIFIED:		APVD L.CASTAGNA 27MAR93	NAME		
0 PLC ± - 1 PLC ± - 2 PLC ± 0.13[.005] 3 PLC ± - 4 PLC ± - ANGLES ± -		PRODUCT SPEC 108-25034		HDR ASY,VERT,SNGL ROW 2.54[.100]C/L 0.64[.025]JSQ PST, WITH PLZN<CHNG,AMP MODU MTE	
MATERIAL HOUSING:		APPLICATION SPEC 114-25026		SIZE A2	RESTRICTED TO -
FINISH SEE TABLE		WEIGHT -		CAGE CODE C=103639	SCALE 1:1
		CUSTOMER DRAWING		SHEET 2 of 2	REV AA

X-ON Electronics

Largest Supplier of Electrical and Electronic Components

Click to view similar products for [Headers & Wire Housings](#) category:

Click to view products by [TE Connectivity](#) manufacturer:

Other Similar products are found below :

[892-18-020-10-001101](#) [58102-G61-06LF](#) [582553-1](#) [0009485154](#) [009176003701906](#) [0050291907](#) [LY20-4P-DT1-P1E-BR](#) [02.125.8002.8](#)
[609-3404](#) [61062-3](#) [61082-181009](#) [622-3653LF](#) [63453-116](#) [636-1030](#) [636-1427](#) [636-3427](#) [636-4007](#) [641938-9](#) [641991-4](#) [644827-2](#) [65817-010LF](#) [65817-015LF](#) [65863-015LF](#) [66207-023LF](#) [67095-007LF](#) [67601157](#) [68645-018](#) [68648-049](#) [70.362.1628.0](#) [70-4210](#) [70-4226B](#) [70-4853B](#) [707-5020](#) [707-5028](#) [71.350.2428.0](#) [71918-208LF](#) [71961-016LF](#) [733-134](#) [733-162](#) [754199-000](#) [760-3052](#) [787-8014-00](#) [79531-3000](#)
[FCN-360C032-B](#) [FCN-367T-T012/H](#) [FCN-723D010/2](#) [80.063.4001.1](#) [800-90-001-10-001000](#) [800-90-010-10-002000](#) [801-43-002-10-013000](#)