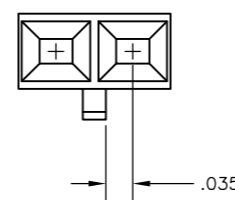
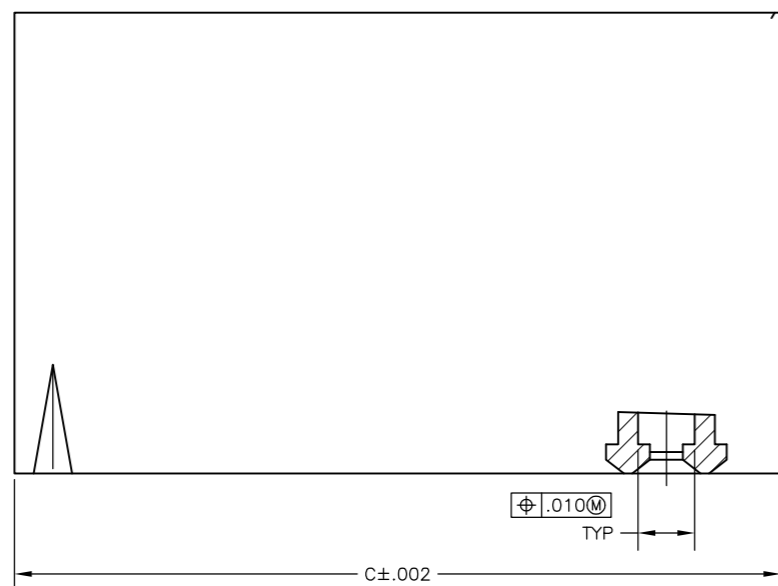
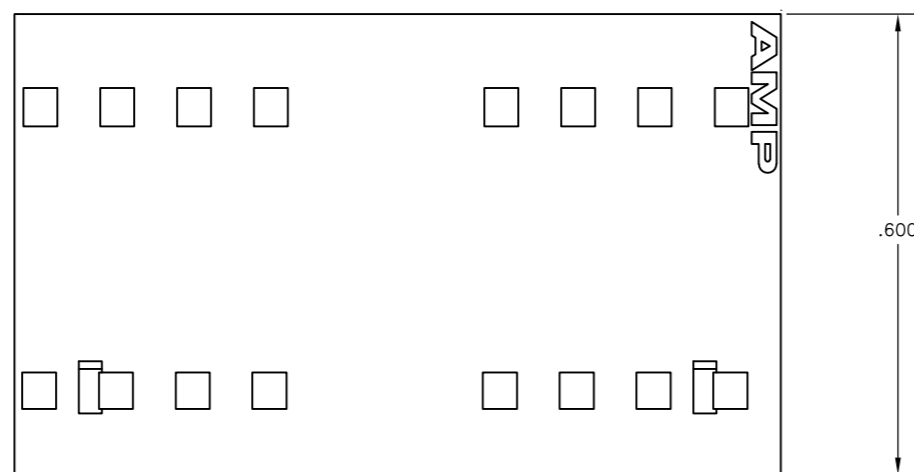
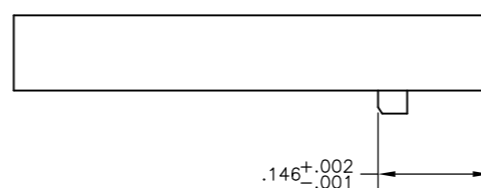
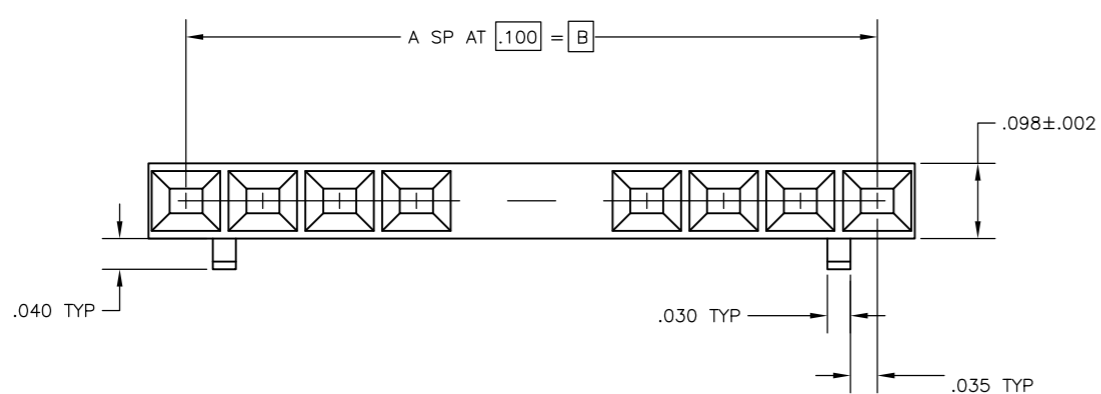


THIS DRAWING IS UNPUBLISHED. RELEASED FOR PUBLICATION
 © COPYRIGHT - By - ALL RIGHTS RESERVED.

LOC	DIST	REVISIONS			
P	LTR	DESCRIPTION	DATE	DWN	APVD
AD	00	K1	REVISED PER ECO-11-004587	11MAR11	RK HMR



DETAIL FOR -1 ONLY
(2 POSITION)



2.498	24	25	2-103648-4
2.398	23	24	2-103648-3
2.298	22	23	2-103648-2
2.198	21	22	2-103648-1
2.098	20	21	2-103648-0
1.998	19	20	1-103648-9
1.898	18	19	1-103648-8
1.798	17	18	1-103648-7
1.698	16	17	1-103648-6
1.598	15	16	1-103648-5
1.498	14	15	1-103648-4
1.398	13	14	1-103648-3
1.298	12	13	1-103648-2
1.198	11	12	1-103648-1
1.098	10	11	1-103648-0
.998	9	10	103648-9
.898	8	9	103648-8
.798	7	8	103648-7
.698	6	7	103648-6
.598	5	6	103648-5
.498	4	5	103648-4
.398	3	4	103648-3
.298	2	3	103648-2
.198	1	2	103648-1
C	NO OF SP	NO OF POSN	PART NUMBER

THIS DRAWING IS A CONTROLLED DOCUMENT.		DWN M PASTEL 16DEC87	TE TE Connectivity	
DIMENSIONS: INCHES		CHK P DeJOHN 16DEC88		
TOLERANCES UNLESS OTHERWISE SPECIFIED:		APVD P DeJOHN 16DEC88	NAME	
0 PLC ± -		PRODUCT SPEC	RECEPTACLE HOUSING, AMPMODU MTE, ®	
1 PLC ± -		APPLICATION SPEC	SINGLE ROW, .100 CL, WITH GUIDE RIBS	
2 PLC ± -		WEIGHT -	SIZE A2	CAGE CODE 00779
3 PLC ± .005		CUSTOMER DRAWING	DRAWING NO C=103648	RESTRICTED TO -
4 PLC ± -		SCALE 4:1	SHEET 1 OF 1	REV K1
ANGLES ± -				
MATERIAL FLAME RETARDANT THERMOPLASTIC; COLOR: BLACK				
FINISH -				

X-ON Electronics

Largest Supplier of Electrical and Electronic Components

Click to view similar products for [Headers & Wire Housings](#) category:

Click to view products by [TE Connectivity](#) manufacturer:

Other Similar products are found below :

[892-18-020-10-001101](#) [58102-G61-06LF](#) [582553-1](#) [0009485154](#) [009176003701906](#) [0050291907](#) [LY20-4P-DT1-P1E-BR](#) [02.125.8002.8](#)
[609-3404](#) [61062-3](#) [61082-181009](#) [622-3653LF](#) [63453-116](#) [636-1030](#) [636-1427](#) [636-3427](#) [636-4007](#) [641938-9](#) [641991-4](#) [644827-2](#) [65817-010LF](#) [65817-015LF](#) [65863-015LF](#) [66207-023LF](#) [67095-007LF](#) [67601157](#) [68645-018](#) [68648-049](#) [70.362.1628.0](#) [70-4210](#) [70-4226B](#) [70-4853B](#) [707-5020](#) [707-5028](#) [71.350.2428.0](#) [71918-208LF](#) [71961-016LF](#) [733-134](#) [733-162](#) [754199-000](#) [760-3052](#) [787-8014-00](#) [79531-3000](#)
[FCN-360C032-B](#) [FCN-367T-T012/H](#) [FCN-723D010/2](#) [80.063.4001.1](#) [800-90-001-10-001000](#) [800-90-010-10-002000](#) [801-43-002-10-013000](#)