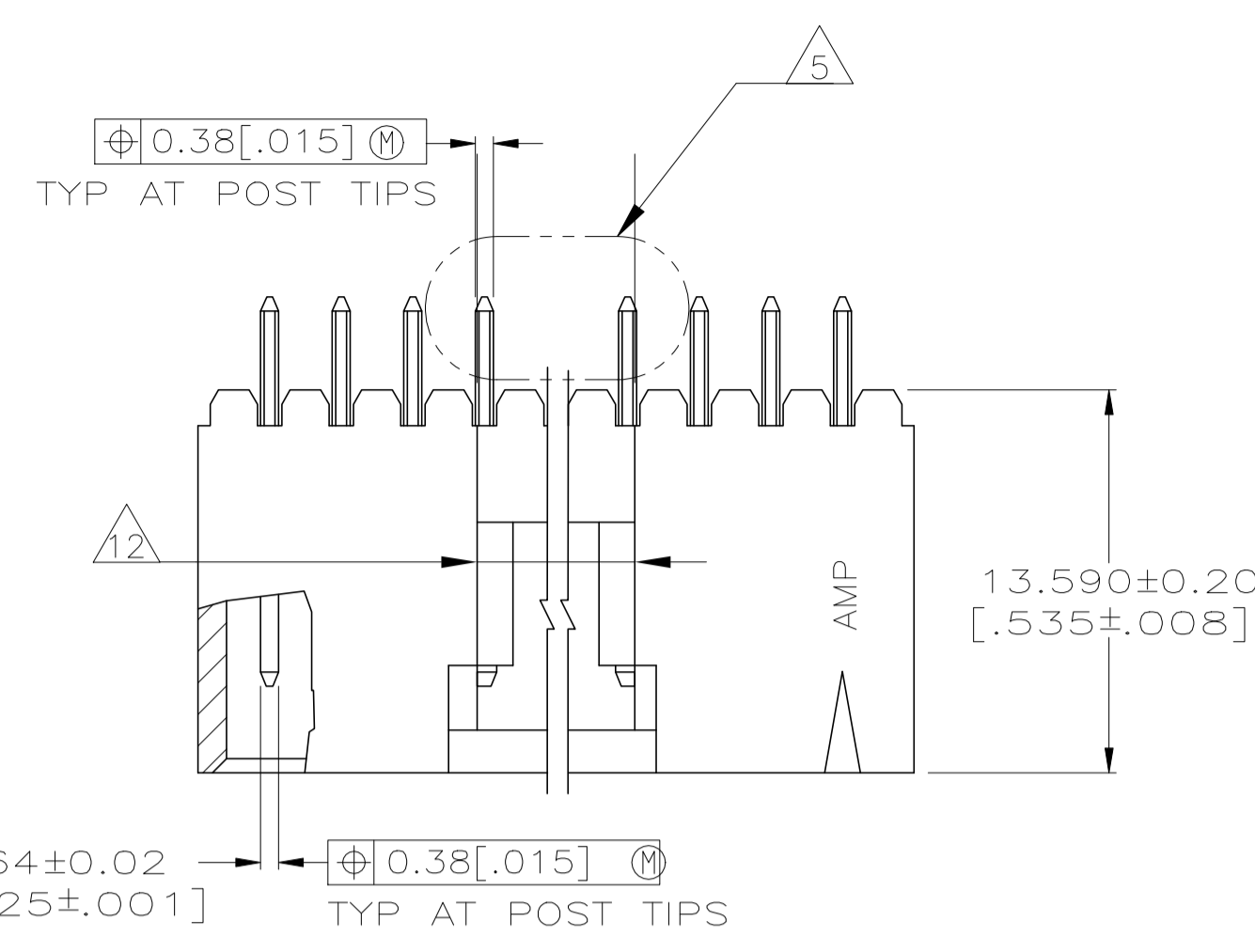
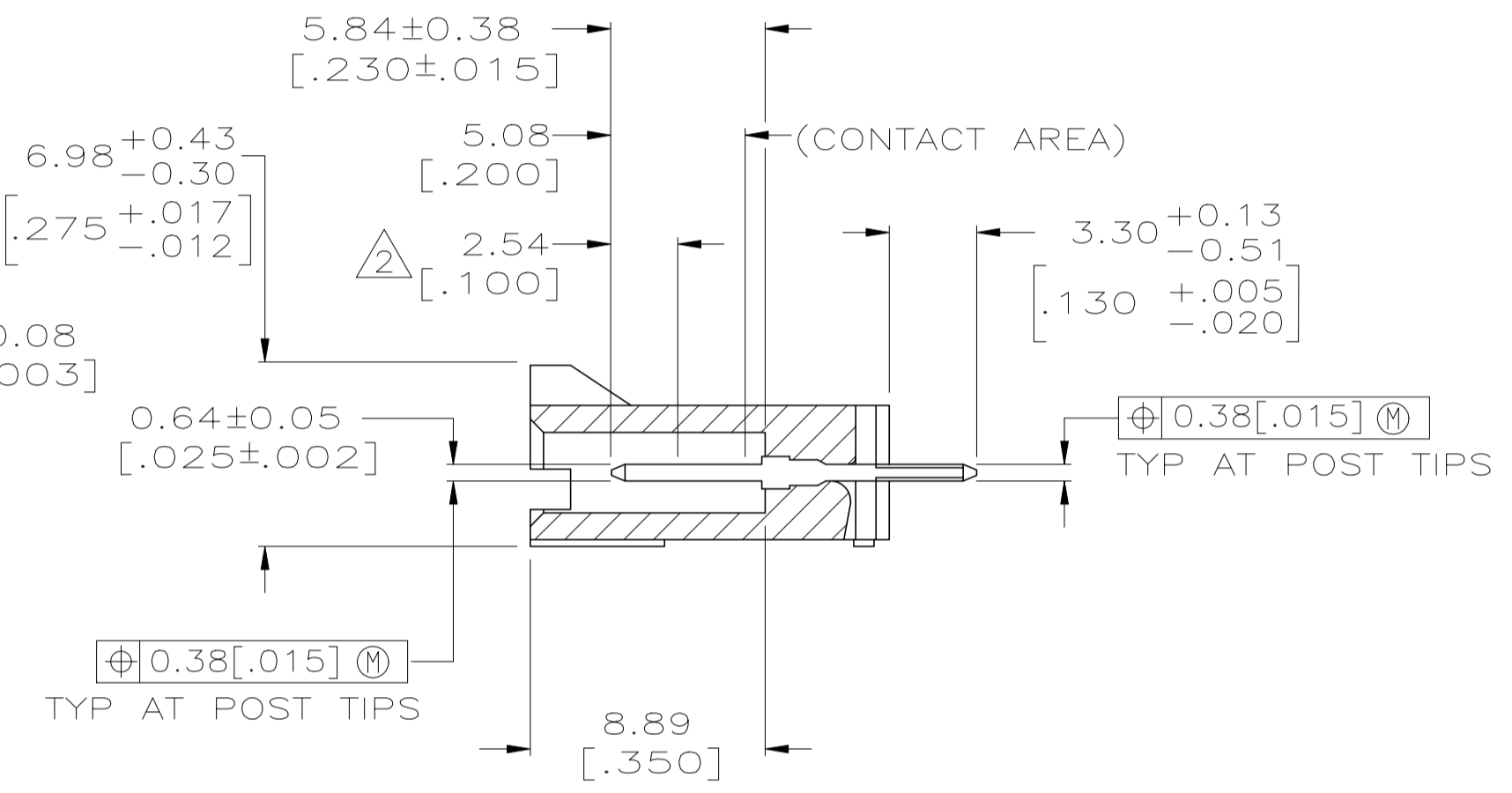
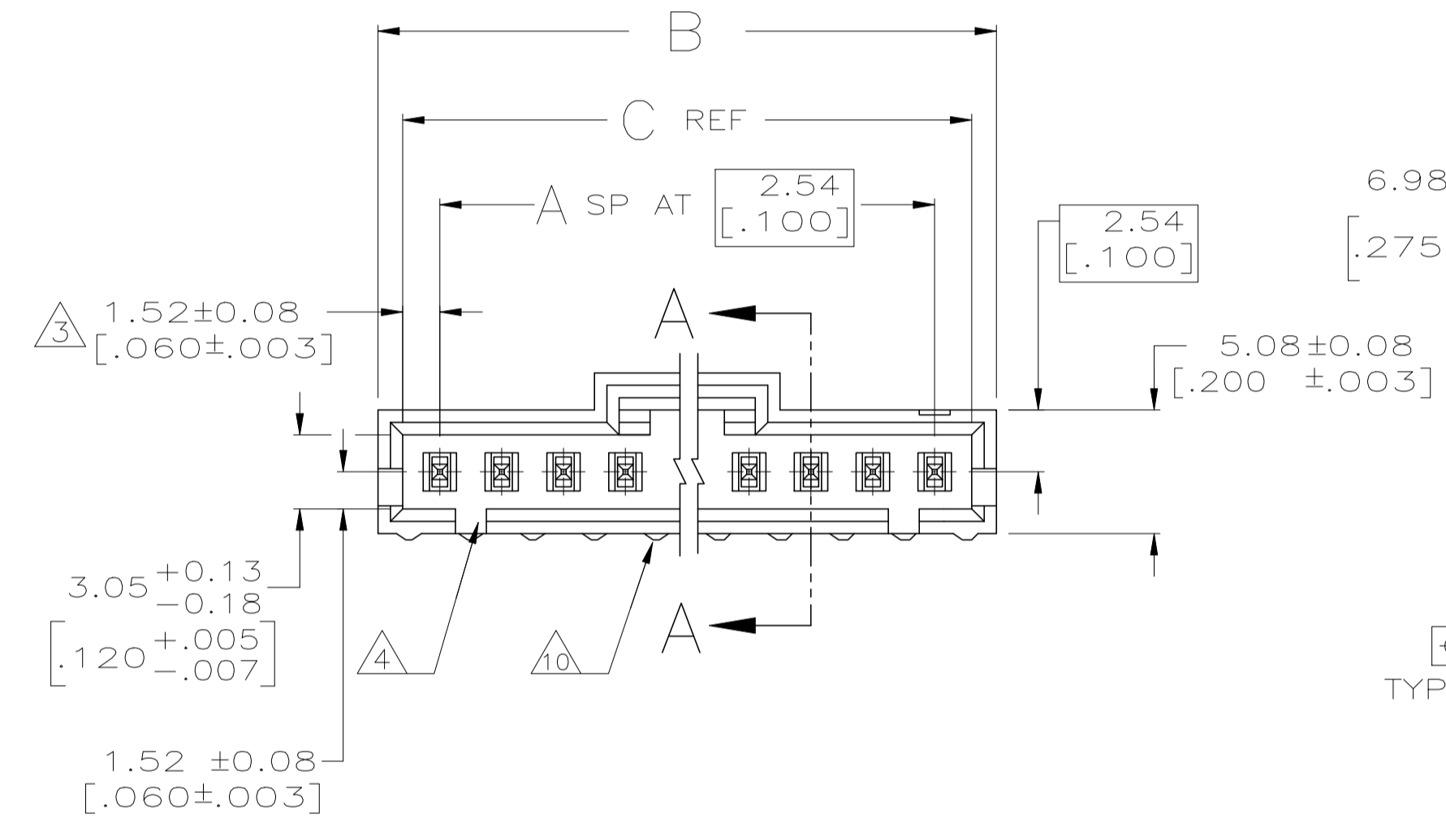


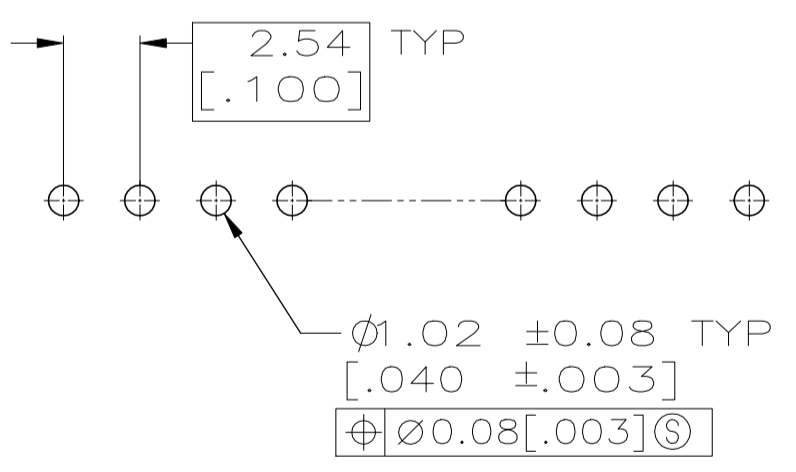
REVISIONS					
P	LTR	DESCRIPTION	DATE	DWN	APPD
AB		REVISED PER ECO-17-002209	11APR2017	RS	MM
AC		REVISED PER ECO-20-001323	17JUN2020	SM	JO



DETAIL Z
POST DETAIL TYP
2 POST MINIMUM



SECTION A-A



RECOMMENDED HOLE LAYOUT

- 1. .000100 BRIGHT TIN-LEAD OVER .000050 NICKEL.
- 2. POINT OF MEASUREMENT FOR PLATING THICKNESS.
- 3. THE NOTED DIMENSIONS APPLY AT THE INTERSECTION OF THE POST AND THE HOUSING.
- 4. ON ASSEMBLIES WITH FOUR OR MORE POSITIONS, TWO POLARIZATION SLOTS.
ON ASSEMBLIES WITH TWO OR THREE POSITIONS, ONE POLARIZATION SLOT.
- 5. SELECT POST TAILS FORMED TO PROVIDE CONNECTOR HOLD DOWN UNTIL SOLDERED. CONFIGURATION ACCEPTS 0.69[.027]-2.03[.080] THICK PRINTED CIRCUIT BOARD. (SEE DETAIL Z).
- 6. .000100 BRIGHT TIN OVER .000050 NICKEL.
- 7. PRELIMINARY PART - NOT RELEASED FOR PRODUCTION.
- 8. .000100 MATTE TIN OVER .000050 NICKEL.
- 9. HIGH TEMPERATURE CONFIGURATION.
- 10. STANDOFFS NOT PRESENT ON UNDERSIDE OF ASSEMBLY
- 11. OBSOLETE PARTS: OBSOLETE CIS STREAMLINING PER D.RENAUD/D.SINISI
- 12. 0.25 [0.010] RECESS PERMISSIBLE IN THIS AREA FOR MOLD SHUT OFF

REMARKS	PLATING	C	B	A	NO. OF POSN	PART NO.	
					8	3-103669-0	
					2	2-103669-9	
					5	6	2-103669-8
					4	5	2-103669-7
					3	4	2-103669-6
					1	2	2-103669-5
					24	25	2-103669-4
					23	24	2-103669-3
					22	23	2-103669-2
					21	22	2-103669-1
					20	21	2-103669-0
					19	20	1-103669-9
					18	19	1-103669-8
					17	18	1-103669-7
					16	17	1-103669-6
					15	16	1-103669-5
					14	15	1-103669-4
					13	14	1-103669-3
					12	13	1-103669-2
					11	12	1-103669-1
					10	11	1-103669-0
					9	10	103669-9
					8	9	103669-8
					7	8	103669-7
					6	7	103669-6
					5	6	103669-5
					4	5	103669-4
					3	4	103669-3
					2	3	103669-2
					1	2	103669-1

THIS DRAWING IS A CONTROLLED DOCUMENT.

DWN: S. SHUEY 3-5-91
CHK: M. RIDER 2-14-92
APPD: M. RIDER 2-14-92

TE Connectivity

PRODUCT SPEC: 108-25034
APPLICATION SPEC: 114-25026

MATERIAL: HOUSING: LCP, CONTACTS: BRASS
FINISH: SEE TABLE

WEIGHT: -
SCALE: 4:1
SHEET 1 OF 2
REV AC

THIS DRAWING IS UNPUBLISHED. RELEASED FOR PUBLICATION
 © COPYRIGHT - By - ALL RIGHTS RESERVED.

REVISIONS					
P	LR	DESCRIPTION	DATE	DRN	APVD
-	-	SEE SHEET 1	-	-	-

REMARKS	PLATING	C	B	A	NO. OF POSN	PART NO.	
OBSOLETE 11	9 10	8	64.01 [2.520]	65.91 [2.595]	24	25	7-103669-4
	9 10	8	61.47 [2.420]	63.37 [2.495]	23	24	7-103669-3
	9 10	8	58.93 [2.320]	60.83 [2.395]	22	23	7-103669-2
	9 10	8	56.39 [2.220]	58.29 [2.295]	21	22	7-103669-1
	9 10	8	53.85 [2.120]	55.75 [2.195]	20	21	7-103669-0
	9 10	8	51.31 [2.020]	53.21 [2.095]	19	20	6-103669-9
	9 10	8	48.77 [1.920]	50.67 [1.995]	18	19	6-103669-8
	9 10	8	46.23 [1.820]	48.13 [1.895]	17	18	6-103669-7
OBSOLETE 11	9 10	8	43.69 [1.720]	45.59 [1.795]	16	17	6-103669-6
	9 10	8	41.15 [1.620]	43.05 [1.695]	15	16	6-103669-5
	9 10	8	38.61 [1.520]	40.51 [1.595]	14	15	6-103669-4
	9 10	8	36.07 [1.420]	37.97 [1.495]	13	14	6-103669-3
	9 10	8	33.53 [1.320]	35.43 [1.395]	12	13	6-103669-2
	9 10	8	30.99 [1.220]	32.89 [1.295]	11	12	6-103669-1
	9 10	8	28.45 [1.120]	30.35 [1.195]	10	11	6-103669-0
	9 10	8	25.91 [1.020]	27.81 [1.095]	9	10	5-103669-9
	9 10	8	23.37 [.920]	25.27 [.995]	8	9	5-103669-8
	9 10	8	20.83 [.820]	22.73 [.895]	7	8	5-103669-7
	9 10	8	18.29 [.720]	20.19 [.795]	6	7	5-103669-6
	9 10	8	15.75 [.620]	17.65 [.695]	5	6	5-103669-5
	9 10	8	13.21 [.520]	15.11 [.595]	4	5	5-103669-4
	9 10	8	10.67 [.420]	12.57 [.495]	3	4	5-103669-3
	9 10	8	8.13 [.320]	10.03 [.395]	2	3	5-103669-2
	9 10	8	5.59 [.220]	7.49 [.295]	1	2	5-103669-1

THIS DRAWING IS A CONTROLLED DOCUMENT. DWN S. SHUEY 3-5-91
 DW M. RIDER 2-14-92
 APVD M. RIDER 2-14-92

STE TE Connectivity

PRODUCT SPEC: 108-25034
 APPLICATION SPEC: 114-25026

SIZE: A1 CAGE CODE: 00779 DRAWING NO: 103669 RESTRICTED TO: -
 SCALE: 4:1 SHEET 2 OF 2 REV AC

MATERIAL: HOUSING: LCP, CONTACTS: BRASS
 FINISH: SEE TABLE
 WEIGHT: -
 CUSTOMER DRAWING

X-ON Electronics

Largest Supplier of Electrical and Electronic Components

Click to view similar products for [Headers & Wire Housings](#) category:

Click to view products by [TE Connectivity](#) manufacturer:

Other Similar products are found below :

[892-18-020-10-001101](#) [58102-G61-06LF](#) [582553-1](#) [0009485154](#) [009176003701906](#) [0050291907](#) [LY20-4P-DT1-P1E-BR](#) [02.125.8002.8](#)
[609-3404](#) [61062-3](#) [61082-181009](#) [622-3653LF](#) [63453-116](#) [636-1030](#) [636-1427](#) [636-3427](#) [636-4007](#) [641938-9](#) [641991-4](#) [644827-2](#) [65817-010LF](#) [65817-015LF](#) [65863-015LF](#) [66207-023LF](#) [67095-007LF](#) [67601157](#) [68645-018](#) [68648-049](#) [70.362.1628.0](#) [70-4210](#) [70-4226B](#) [70-4853B](#) [707-5020](#) [707-5028](#) [71.350.2428.0](#) [71918-208LF](#) [71961-016LF](#) [733-134](#) [733-162](#) [754199-000](#) [760-3052](#) [787-8014-00](#) [79531-3000](#)
[FCN-360C032-B](#) [FCN-367T-T012/H](#) [FCN-723D010/2](#) [80.063.4001.1](#) [800-90-001-10-001000](#) [800-90-010-10-002000](#) [801-43-002-10-013000](#)