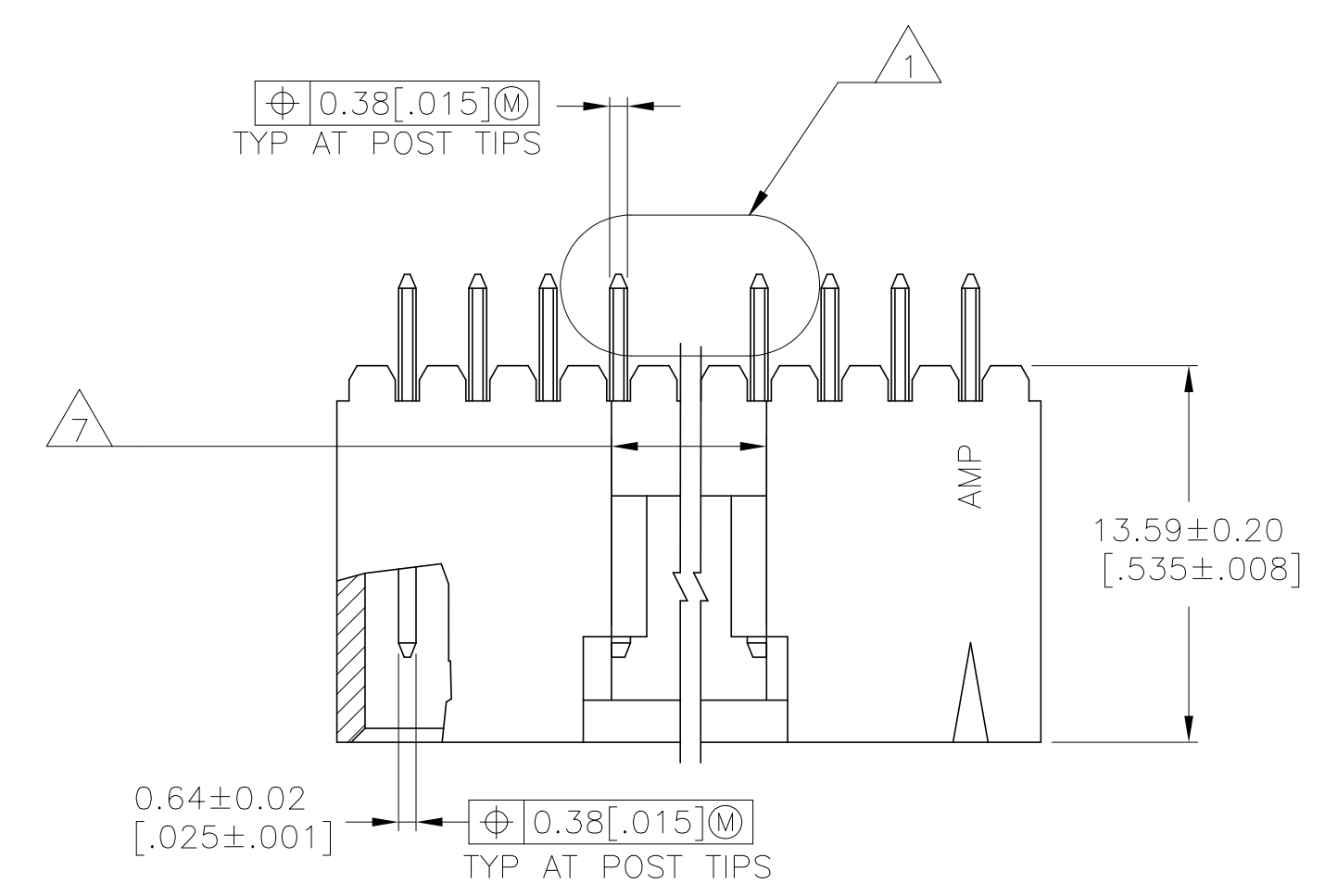
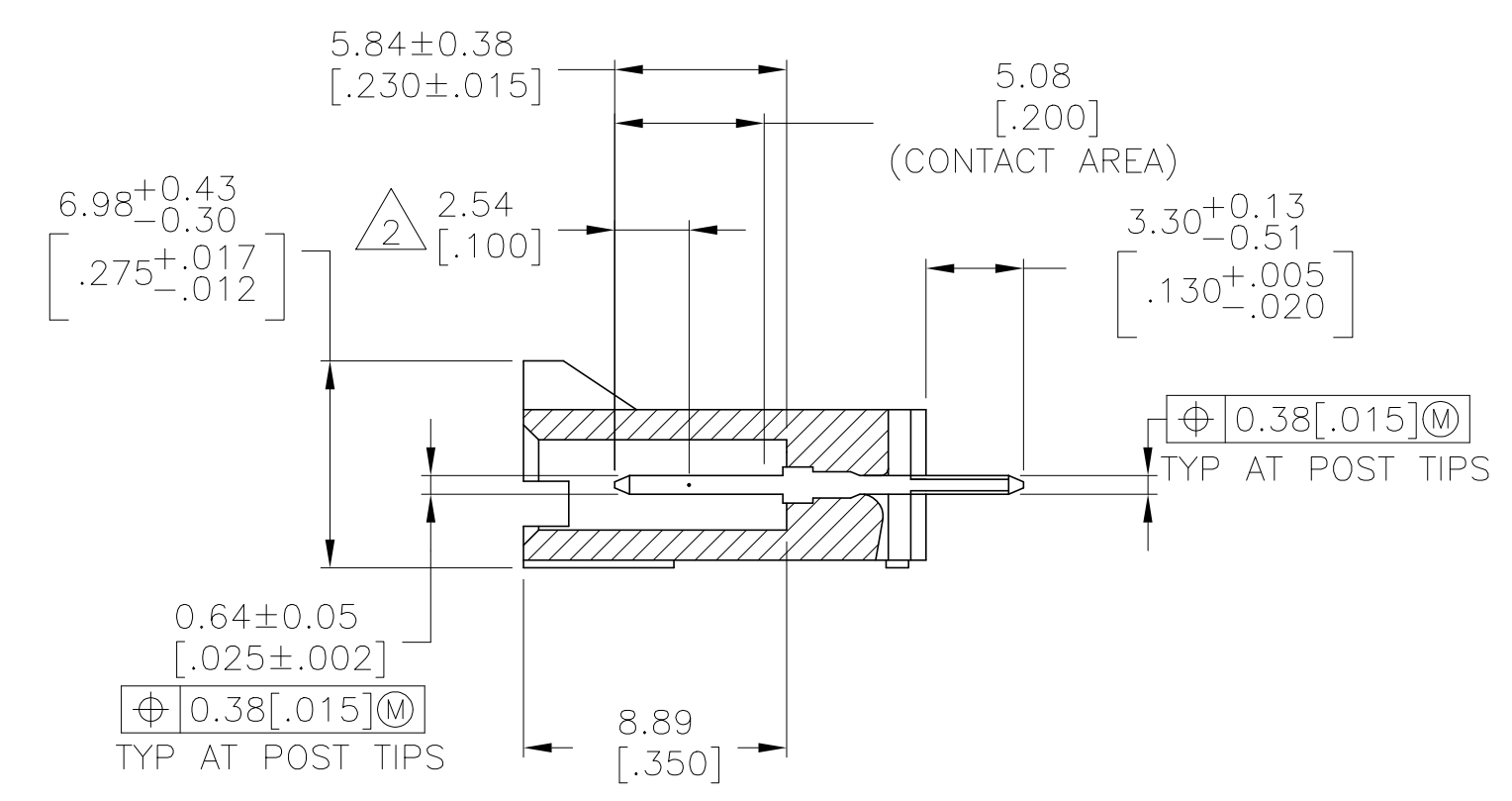
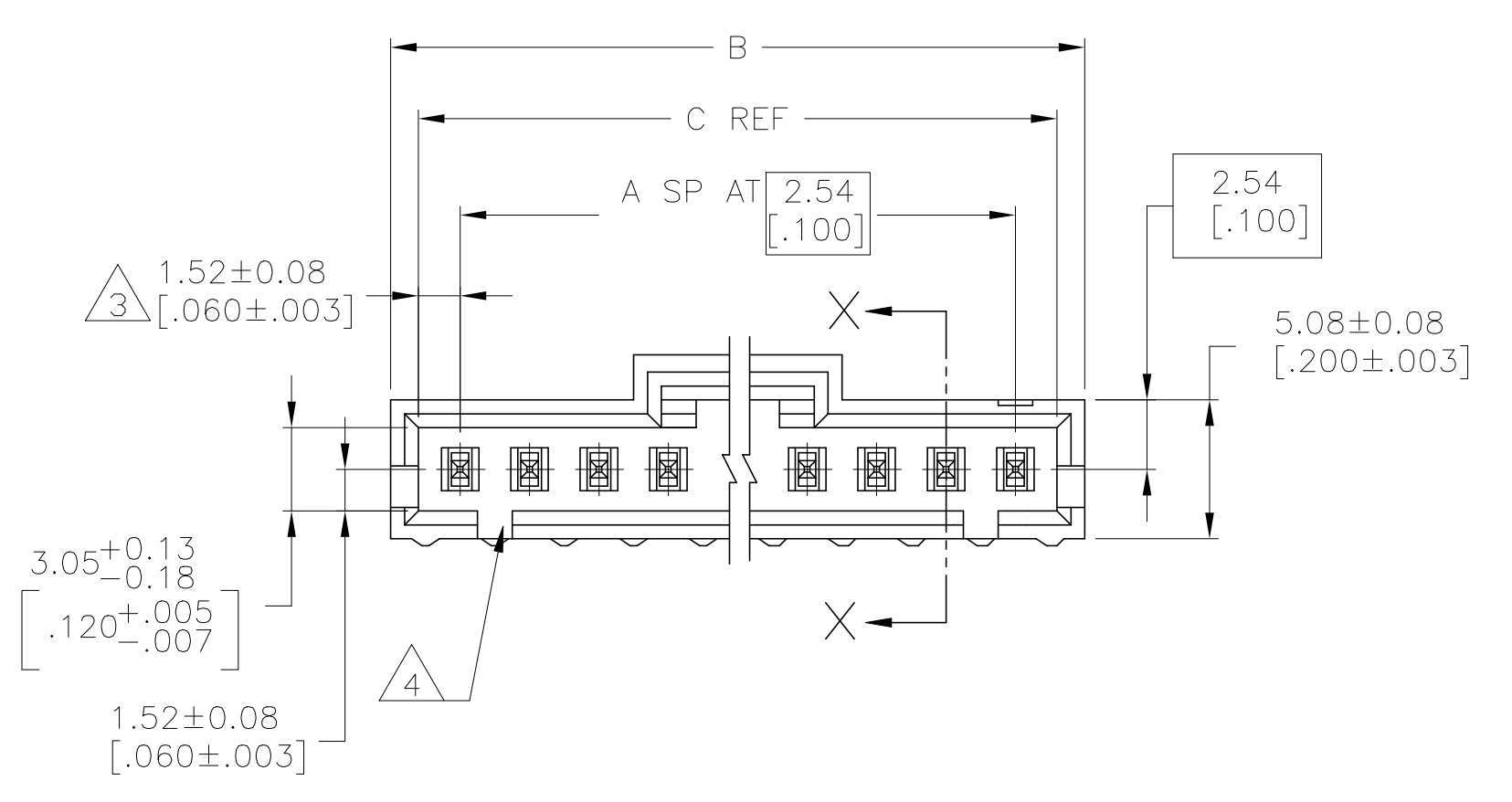


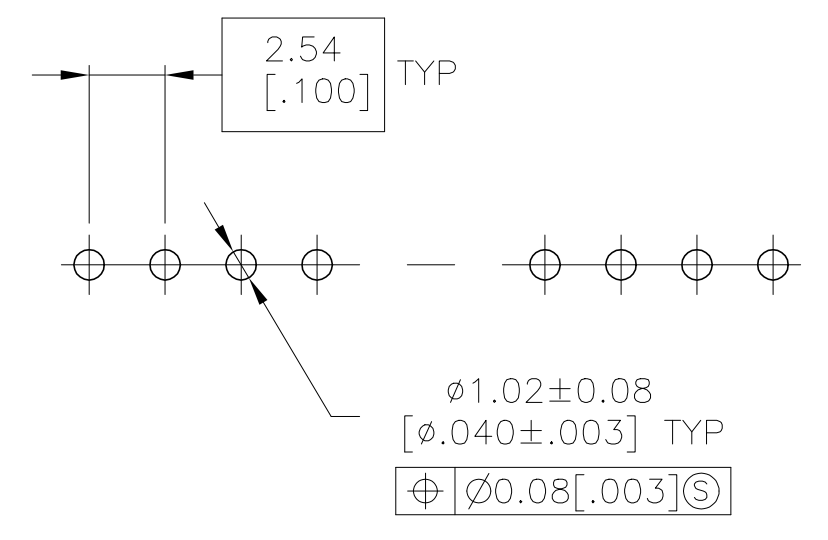
REVISIONS				
P	LTR	DESCRIPTION	DATE	APP'D
T		REVISED PER ECO-17-002584	11APR2017	BDA MM
U		REVISED PER ECO-20-001323	17JUN2020	SM JO



DETAIL Z
POST DETAIL TYP
2 POST MINIMUM



SECTION X-X



RECOMMENDED HOLE LAYOUT

- 1 .00038[.000015] GOLD IN THE CONTACT AREA, .00254[.000100] MATTE TIN-LEAD ON REMAINDER OF CONTACT, ALL OVER .00127[.000050] NICKEL.
- 2 POINT OF MEASUREMENT FOR PLATING THICKNESS.
- 3 THE NOTED DIMENSIONS APPLY AT THE INTERSECTION OF THE POST AND THE HOUSING.
- 4 ON ASSEMBLIES WITH FOUR OR MORE POSITIONS, TWO POLARIZATION SLOTS. ON ASSEMBLIES WITH TWO OR THREE POSITIONS, ONE POLARIZATION SLOT.
- 5 SELECT POST TAILS FORMED TO PROVIDE CONNECTOR HOLD DOWN UNTIL SOLDERED. CONFIGURATION ACCEPTS 0.69[.027]-2.03[.080] THICK PRINTED CIRCUIT BOARD. (SEE DETAIL Z).
- 6 OBSOLETE PARTS: OBSOLETE CIS STREAMLINING PER D.RENAUD/D.SINISI
- 7 0.25 [.010] RECESS PERMISSIBLE IN THIS AREA FOR MOLD SHUT OFF

		64.01 [2.520]	65.91 [2.595]	24	25	2-103670-4
		61.47 [2.420]	63.37 [2.495]	23	24	2-103670-3
6	OBSOLETE	58.93 [2.320]	60.83 [2.395]	22	23	2-103670-2
		56.39 [2.220]	58.29 [2.295]	21	22	2-103670-1
6	SUPERCEDED BY 7-104909-0	53.85 [2.120]	55.75 [2.195]	20	21	2-103670-0
		51.31 [2.020]	53.21 [2.095]	19	20	1-103670-9
6	SUPERCEDED BY 6-104909-8	48.77 [1.920]	50.67 [1.995]	18	19	1-103670-8
		46.23 [1.820]	48.13 [1.895]	17	18	1-103670-7
		43.69 [1.720]	45.59 [1.795]	16	17	1-103670-6
		41.15 [1.620]	43.05 [1.695]	15	16	1-103670-5
		38.61 [1.520]	40.51 [1.595]	14	15	1-103670-4
		36.07 [1.420]	37.97 [1.495]	13	14	1-103670-3
		33.53 [1.320]	35.43 [1.395]	12	13	1-103670-2
		30.99 [1.220]	32.89 [1.295]	11	12	1-103670-1
		28.45 [1.120]	30.35 [1.195]	10	11	1-103670-0
		25.91 [1.020]	27.81 [1.095]	9	10	103670-9
		23.37 [.920]	25.27 [.995]	8	9	103670-8
		20.83 [.820]	22.73 [.895]	7	8	103670-7
		18.29 [.720]	20.19 [.795]	6	7	103670-6
		15.75 [.620]	17.65 [.695]	5	6	103670-5
		13.21 [.520]	15.11 [.595]	4	5	103670-4
		10.67 [.420]	12.57 [.495]	3	4	103670-3
		8.13 [.320]	10.03 [.395]	2	3	103670-2
		5.59 [.220]	7.49 [.295]	1	2	103670-1
		C	B	A	NO OF POSN	PART NO.

THIS DRAWING IS A CONTROLLED DOCUMENT.

OWN: S. SHUEY 3-5-91
CHK: M. RIDER 2-14-92
APVD: M. RIDER 2-14-92

DIMENSIONS: mm [INCHES]
TOLERANCES UNLESS OTHERWISE SPECIFIED:
0 PLC ±
1 PLC ±
2 PLC ± 0.13[.005]
3 PLC ±
4 PLC ±
ANGLES ±

MATERIAL: LCP, COLOR = BLACK
CONTACTS: BRASS

FINISH: 1

STE TE Connectivity
HDR ASSY, VERT, SINGLE ROW
2.54[.100] CL, 0.64[.025] SQ POST,
WITH PLZN & RETENTIVE POSTS, AMPMODU MTE

108-25034
114-25026

SIZE: A1
DAGE CODE: C
DRAWING NO: 103670
RESTRICTED TO: -

CUSTOMER DRAWING
SCALE: 4:1
SHEET: 1 OF 1
REV: U

X-ON Electronics

Largest Supplier of Electrical and Electronic Components

Click to view similar products for [Headers & Wire Housings](#) category:

Click to view products by [TE Connectivity](#) manufacturer:

Other Similar products are found below :

[892-18-020-10-001101](#) [58102-G61-06LF](#) [582553-1](#) [0009485154](#) [009176003701906](#) [0050291907](#) [LY20-4P-DT1-P1E-BR](#) [02.125.8002.8](#)
[609-3404](#) [61062-3](#) [61082-181009](#) [622-3653LF](#) [63453-116](#) [636-1030](#) [636-1427](#) [636-3427](#) [636-4007](#) [641938-9](#) [641991-4](#) [644827-2](#) [65817-](#)
[010LF](#) [65817-015LF](#) [65863-015LF](#) [66207-023LF](#) [67095-007LF](#) [67601157](#) [68645-018](#) [68648-049](#) [70.362.1628.0](#) [70-4210](#) [70-4226B](#) [70-](#)
[4853B](#) [707-5020](#) [707-5028](#) [71.350.2428.0](#) [71918-208LF](#) [71961-016LF](#) [733-134](#) [733-162](#) [754199-000](#) [760-3052](#) [787-8014-00](#) [79531-3000](#)
[FCN-360C032-B](#) [FCN-367T-T012/H](#) [FCN-723D010/2](#) [80.063.4001.1](#) [800-90-001-10-001000](#) [800-90-010-10-002000](#) [801-43-002-10-013000](#)