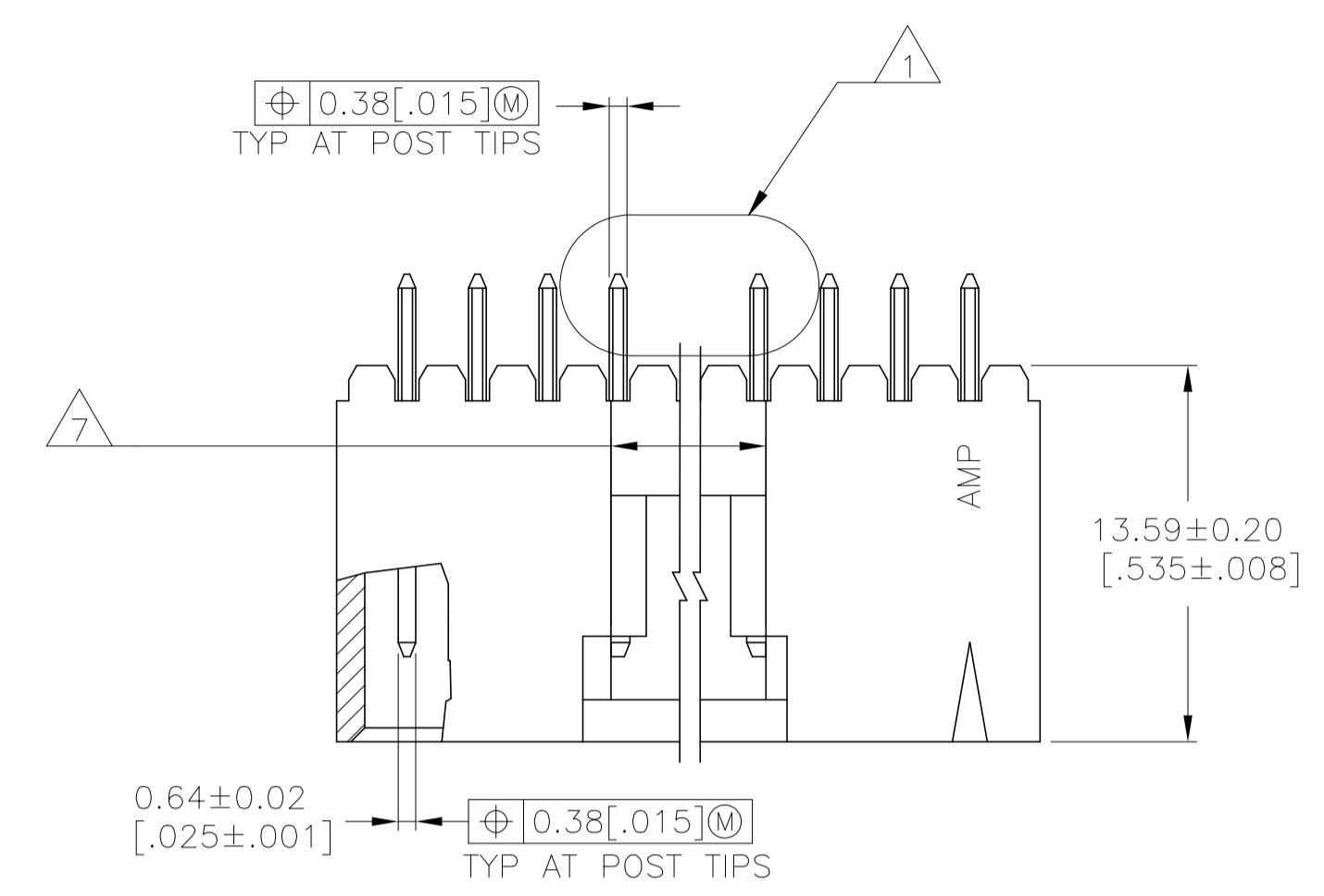
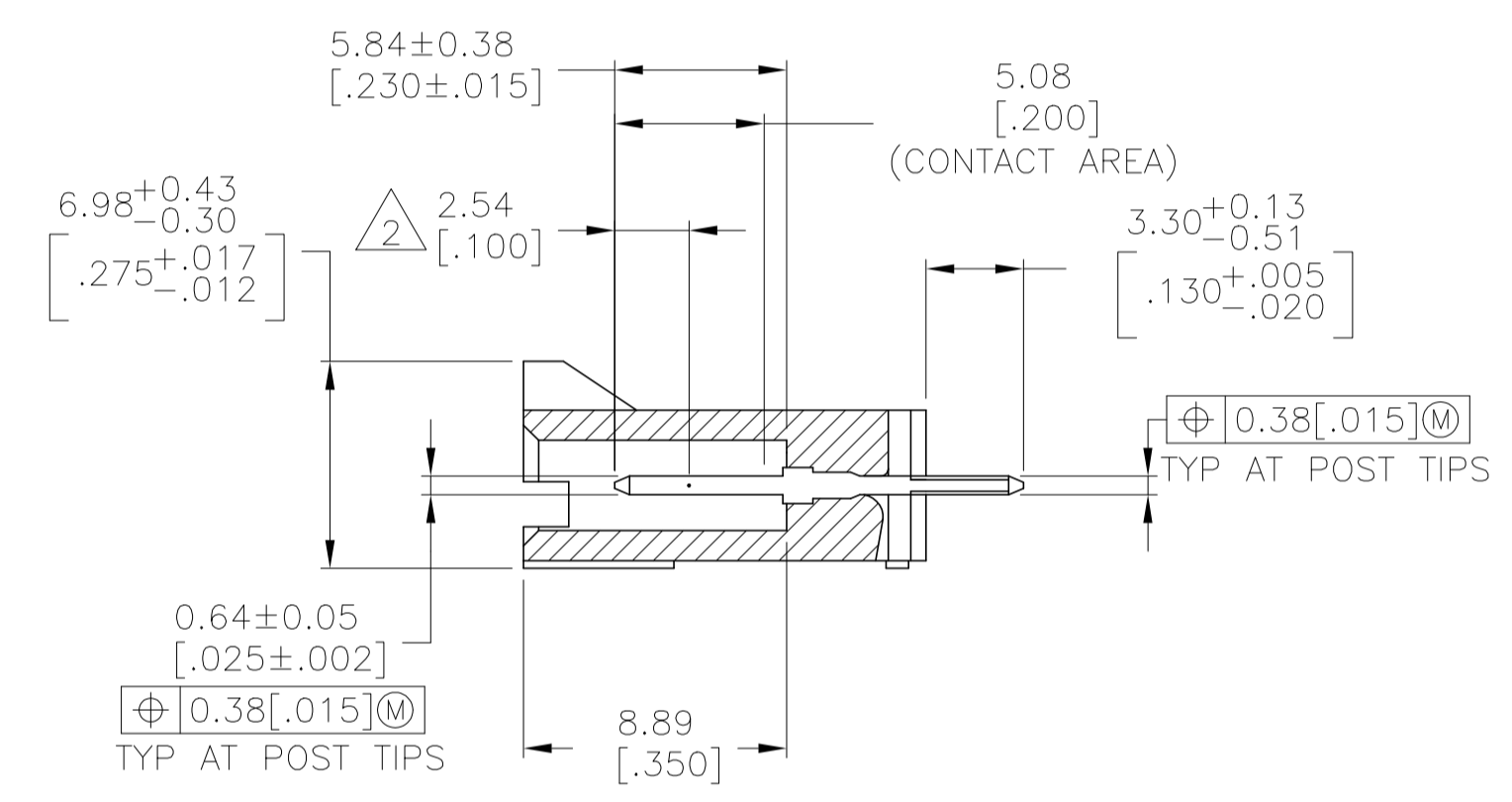
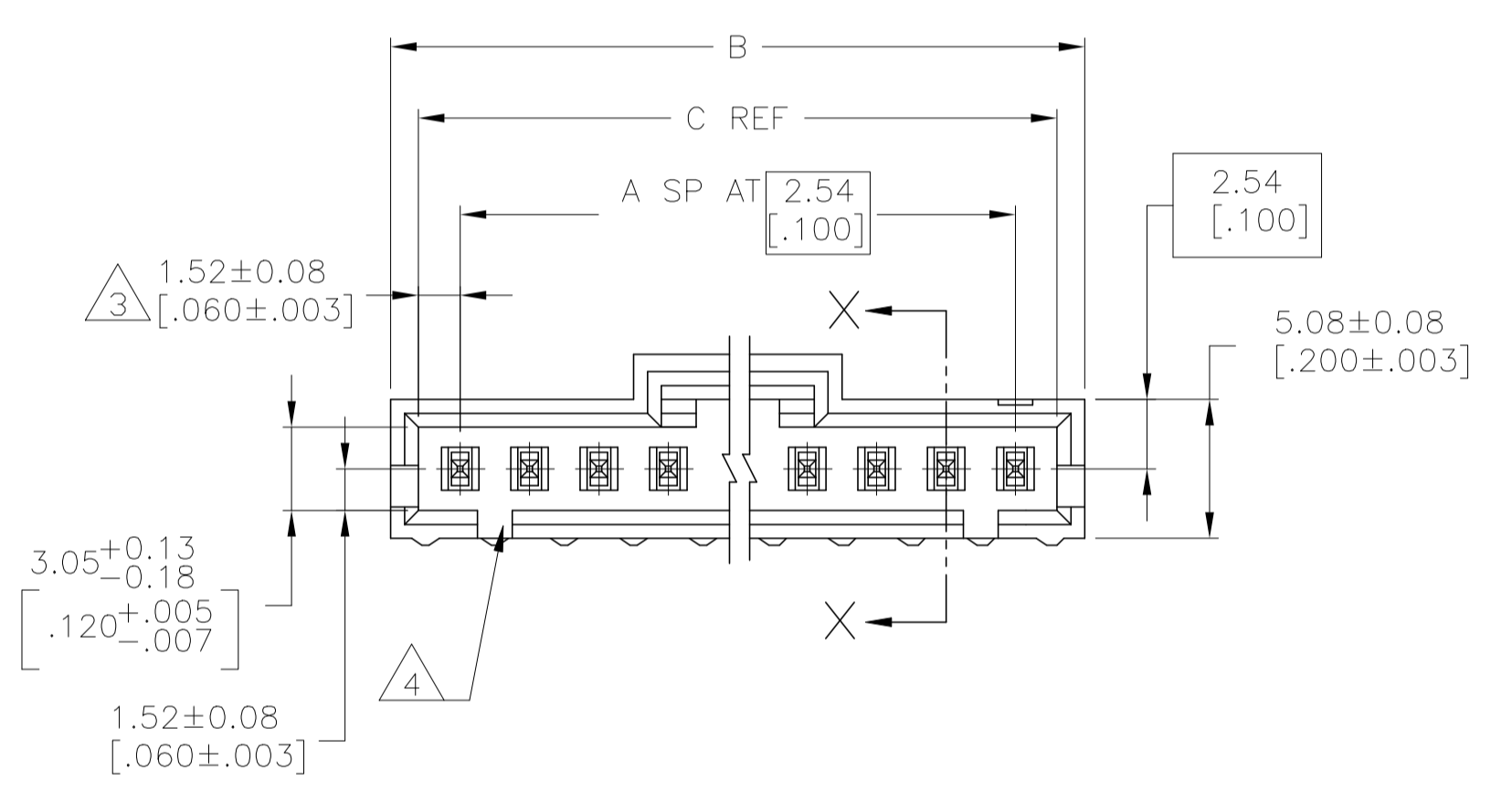


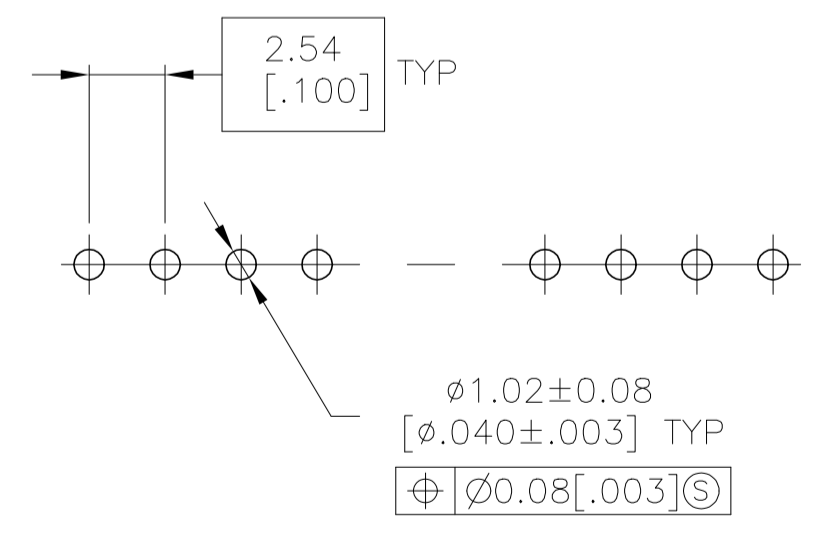
REVISIONS				
P	LTR	DESCRIPTION	DATE	APP'D
T		REVISED PER ECO-17-002584	11APR2017	BDA MM
U		REVISED PER ECO-20-001323	17JUN2020	SM JO



DETAIL Z
POST DETAIL TYP
2 POST MINIMUM



SECTION X-X



RECOMMENDED HOLE LAYOUT

- 1 .00038[.000015] GOLD IN THE CONTACT AREA, .00254[.000100] MATTE TIN-LEAD ON REMAINDER OF CONTACT, ALL OVER .00127[.000050] NICKEL.
- 2 POINT OF MEASUREMENT FOR PLATING THICKNESS.
- 3 THE NOTED DIMENSIONS APPLY AT THE INTERSECTION OF THE POST AND THE HOUSING.
- 4 ON ASSEMBLIES WITH FOUR OR MORE POSITIONS, TWO POLARIZATION SLOTS. ON ASSEMBLIES WITH TWO OR THREE POSITIONS, ONE POLARIZATION SLOT.
- 5 SELECT POST TAILS FORMED TO PROVIDE CONNECTOR HOLD DOWN UNTIL SOLDERED. CONFIGURATION ACCEPTS 0.69[.027]-2.03[.080] THICK PRINTED CIRCUIT BOARD. (SEE DETAIL Z).
- 6 OBSOLETE PARTS: OBSOLETE CIS STREAMLINING PER D.RENAUD/D.SINISI
- 7 0.25 [.010] RECESS PERMISSIBLE IN THIS AREA FOR MOLD SHUT OFF

		64.01 [2.520]	65.91 [2.595]	24	25	2-103670-4	
		61.47 [2.420]	63.37 [2.495]	23	24	2-103670-3	
	6	OBSOLETE	58.93 [2.320]	60.83 [2.395]	22	23	2-103670-2
			56.39 [2.220]	58.29 [2.295]	21	22	2-103670-1
	6	SUPERCEDED BY 7-104909-0	53.85 [2.120]	55.75 [2.195]	20	21	2-103670-0
			51.31 [2.020]	53.21 [2.095]	19	20	1-103670-9
	6	SUPERCEDED BY 6-104909-8	48.77 [1.920]	50.67 [1.995]	18	19	1-103670-8
			46.23 [1.820]	48.13 [1.895]	17	18	1-103670-7
			43.69 [1.720]	45.59 [1.795]	16	17	1-103670-6
			41.15 [1.620]	43.05 [1.695]	15	16	1-103670-5
			38.61 [1.520]	40.51 [1.595]	14	15	1-103670-4
			36.07 [1.420]	37.97 [1.495]	13	14	1-103670-3
			33.53 [1.320]	35.43 [1.395]	12	13	1-103670-2
			30.99 [1.220]	32.89 [1.295]	11	12	1-103670-1
			28.45 [1.120]	30.35 [1.195]	10	11	1-103670-0
			25.91 [1.020]	27.81 [1.095]	9	10	103670-9
			23.37 [.920]	25.27 [.995]	8	9	103670-8
			20.83 [.820]	22.73 [.895]	7	8	103670-7
			18.29 [.720]	20.19 [.795]	6	7	103670-6
			15.75 [.620]	17.65 [.695]	5	6	103670-5
			13.21 [.520]	15.11 [.595]	4	5	103670-4
			10.67 [.420]	12.57 [.495]	3	4	103670-3
			8.13 [.320]	10.03 [.395]	2	3	103670-2
			5.59 [.220]	7.49 [.295]	1	2	103670-1
			C	B	A	NO OF POSN	PART NO.

THIS DRAWING IS A CONTROLLED DOCUMENT.

OWN: S. SHUEY 3-5-91
CHK: M. RIDER 2-14-92
APVD: M. RIDER 2-14-92

DIMENSIONS: mm [INCHES]
TOLERANCES UNLESS OTHERWISE SPECIFIED:
0 PLC ±
1 PLC ±
2 PLC ± 0.13[.005]
3 PLC ±
4 PLC ±
ANGLES ±

MATERIAL: LCP, COLOR = BLACK
CONTACTS: BRASS

FINISH: 1

STE TE Connectivity

HDR ASSY, VERT, SINGLE ROW
2.54[.100] CL, 0.64[.025] SQ POST,
WITH PLZN & RETENTIVE POSTS, AMPMODU MTE

108-25034
114-25026

SIZE: A1
DAGE CODE: C=103670
WEIGHT: -

CUSTOMER DRAWING

SCALE: 4:1
SHEET: 1 OF 1
REV: U

X-ON Electronics

Largest Supplier of Electrical and Electronic Components

Click to view similar products for [Headers & Wire Housings](#) category:

Click to view products by [TE Connectivity](#) manufacturer:

Other Similar products are found below :

[95000-104TRLF](#) [10135584-644402LF](#) [DF62W-EP2022PCA](#) [95000-106TRLF](#) [DF62W-2022SCA](#) [DF62W-EP2022PC](#) [2203348](#) [DF62W-2022SC](#) [1084018](#) [1029039](#) [1084017](#) [802-10-012-10-002000](#) [1112640](#) [1112639](#) [000-34000](#) [0009482033](#) [0009507031](#) [57102-S06-03LF](#) [57202-S52-04LF](#) [PCN6-15S-2.5E](#) [0039019024](#) [58102-G61-06LF](#) [582553-1](#) [0009508121](#) [0050291907](#) [018731A](#) [LY20-4P-DT1-P1E-BR](#) [02.125.8002.8](#) [60101931](#) [60598-1 \(Cut Strip\)](#) [M1625-3R/100](#) [61062-3](#) [61082-181009](#) [636-1427](#) [638009-1](#) [641938-9](#) [641991-4](#) [644168-1](#) [647662-1](#) [65039-019ELF](#) [65817-002LF](#) [65817-015LF](#) [65863-015LF](#) [66207-023LF](#) [67016-026LF](#) [67046-001LF](#) [67095-007LF](#) [68002-116](#) [68016-236H](#) [68648-049](#)