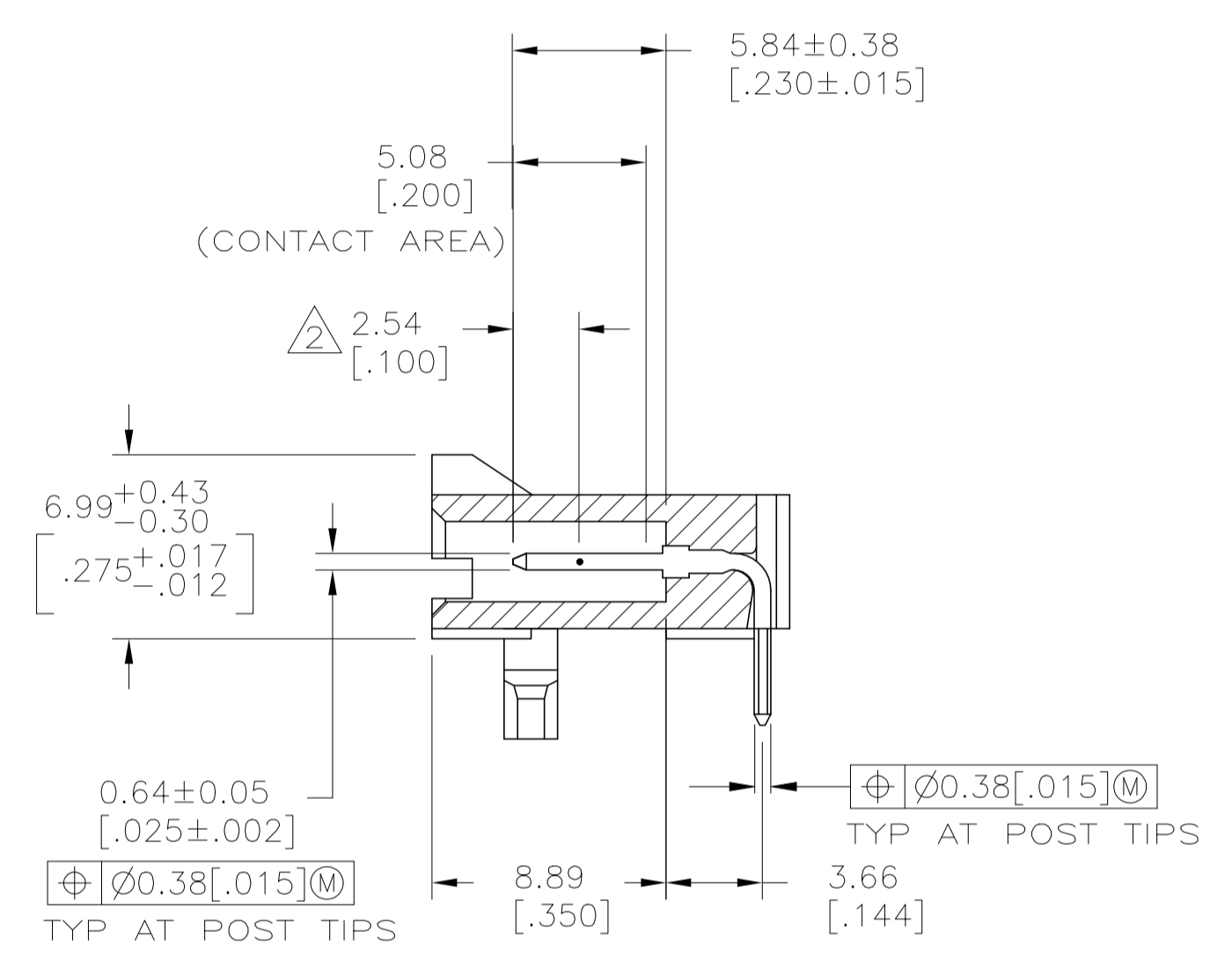
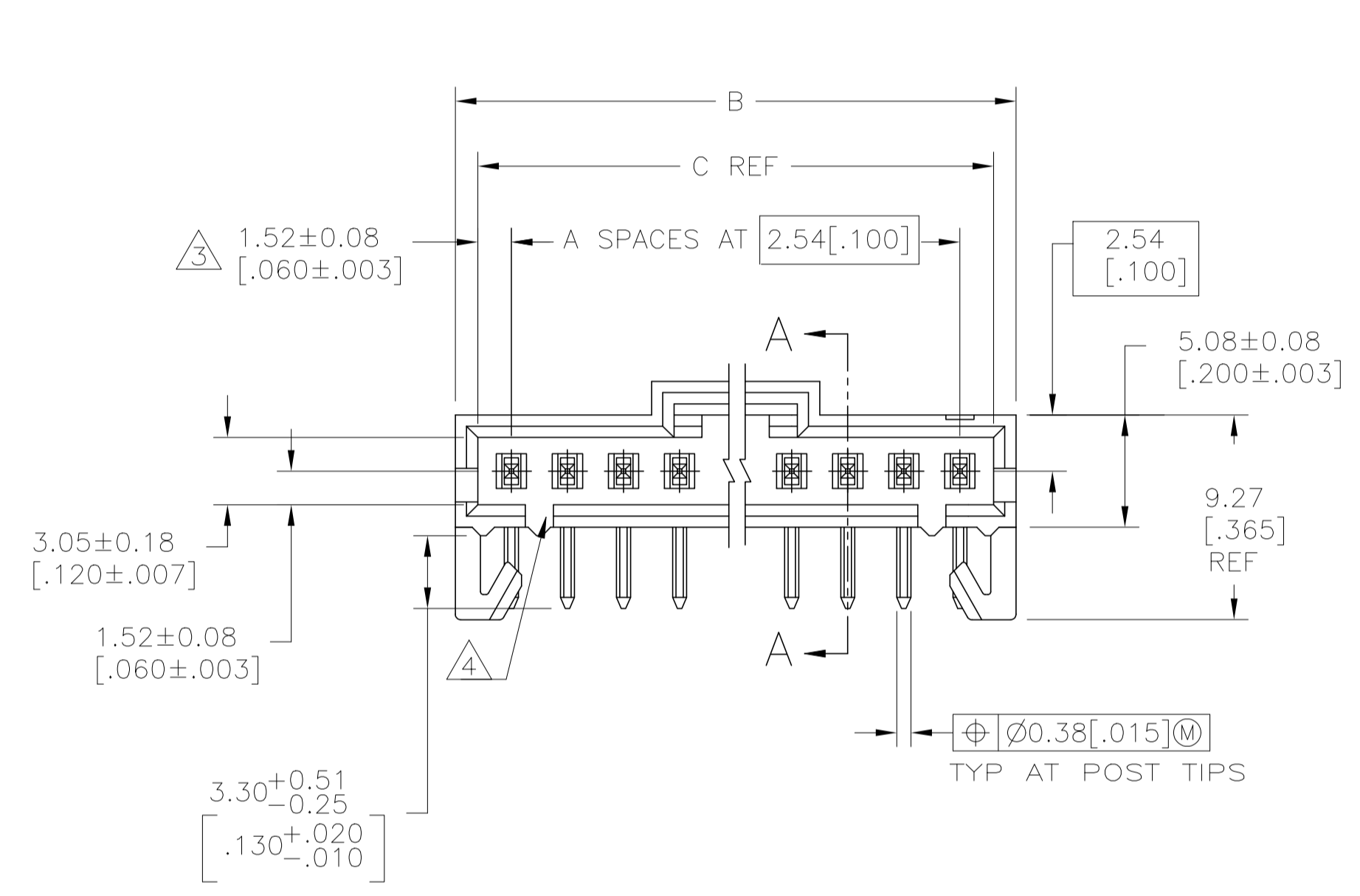
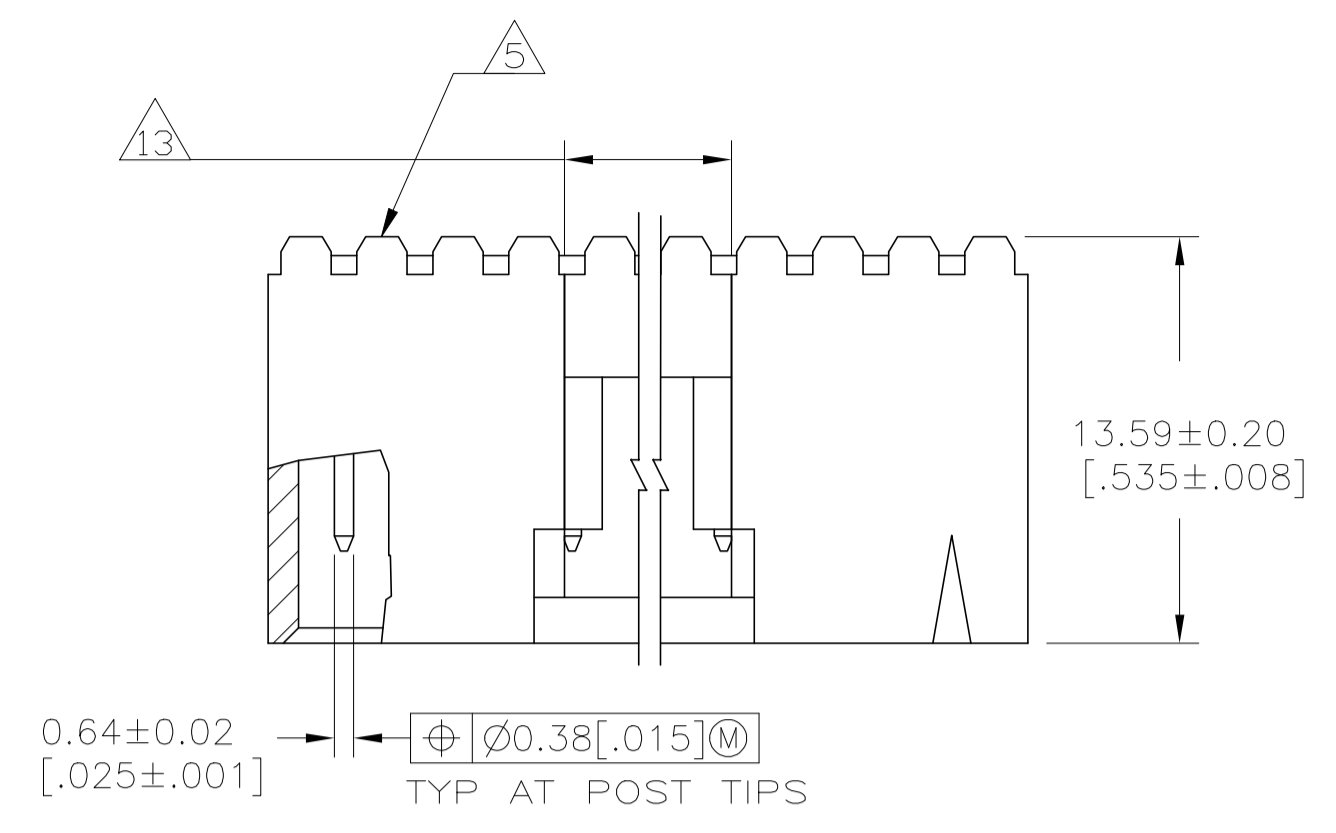
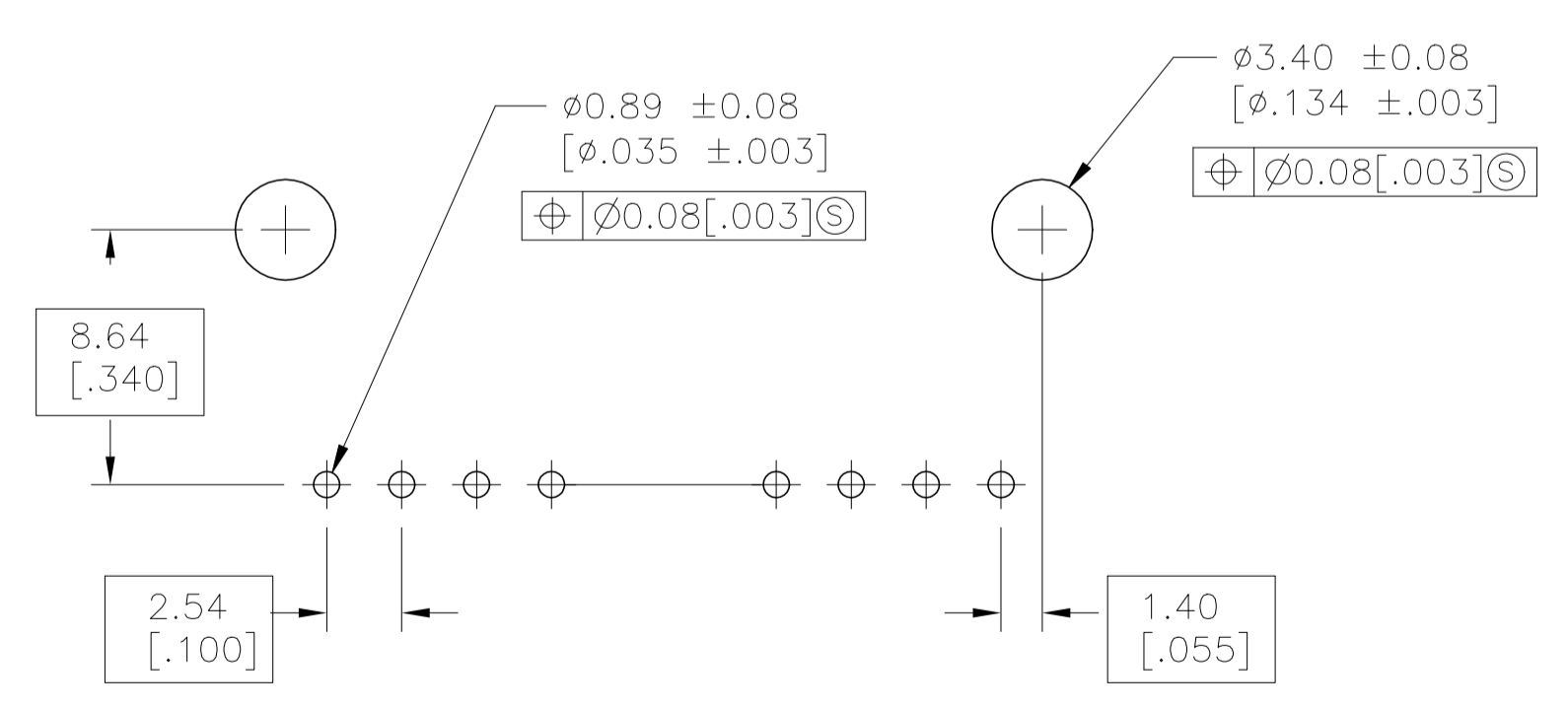


REVISIONS				
P	LTR	DESCRIPTION	DATE	APP'D
AD		REVISED PER ECO-17-002583	08APR2017	RS MM
AE		REVISED PER ECO-20-001323	17JUN2020	SM JO



SECTION A-A



RECOMMENDED HOLE LAYOUT

THIS DRAWING IS A CONTROLLED DOCUMENT.		DWN R BROWN 09FEB01	STE TE Connectivity	
DIMENSIONS: mm		CHK K WRIGHT 09FEB01	NAME	
TOLERANCES UNLESS OTHERWISE SPECIFIED:		APVD K WRIGHT 09FEB01	PRODUCT SPEC	
0 PLC ± -		108-25034		
1 PLC ± -		APPLICATION SPEC		
2 PLC ± 0.13[.005]		114-25026		
3 PLC ± -		SIZE CAGE CODE DRAWING NO RESTRICTED TO		
4 PLC ± -		A1 00779 C=103672		
ANGLES ± -		WEIGHT		
FINISH		CUSTOMER DRAWING		
SEE TABLE		SCALE 4:1 SHEET 1 OF 2 REV AE		

REVISIONS					
P	LTR	DESCRIPTION	DATE	DRN	APVD
		SEE SHEET 1	-	-	-

- 1 .000100 BRIGHT TIN-LEAD OVER .000050 NICKEL.
- 2 POINT OF MEASUREMENT FOR PLATING THICKNESS.
- 3 THE NOTED DIMENSIONS APPLY AT THE INTERSECTION OF THE POST AND THE HOUSING.
- 4 ON ASSEMBLIES WITH FOUR OR MORE POSITIONS, TWO POLARIZATION SLOTS.
ON ASSEMBLIES WITH TWO OR THREE POSITIONS, ONE POLARIZATION SLOT.
- 5 AMP TRADEMARK MOLDED ON THIS SURFACE.
- 6 FOR USE WITH 1.57±0.20[.062±.008] PRINTED CIRCUIT BOARD.
- 7 MATERIAL: HOUSING- FLAME RETARDANT LCP, COLOR-BLACK.
POSTS- BRASS.
- 8 .000100 BRIGHT TIN OVER .000050 NICKEL.
- 9 PRELIMINARY PART - NOT RELEASED FOR PRODUCTION.
- 10 .000100 MATTE TIN OVER .000050 NICKEL.
- 11 HIGH TEMPERATURE CONFIGURATION
- 12 OBSOLETE PARTS: OBSOLETE CIS STREAMLINING PER D.RENAUD/D.SINISI
- 13 0.25 [.010] RECESS PERMISSIBLE IN THIS AREA FOR MOLD SHUT OFF

		64.01 [2.520]	65.91 [2.595]	24	25	12	7-103672-4
		61.47 [2.420]	63.37 [2.495]	23	24	12	7-103672-3
		58.93 [2.320]	60.83 [2.395]	22	23	12	7-103672-2
		56.39 [2.220]	58.29 [2.295]	21	22	12	7-103672-1
		53.85 [2.120]	55.75 [2.195]	20	21	12	7-103672-0
		51.31 [2.020]	53.21 [2.095]	19	20		6-103672-9
		48.77 [1.920]	50.67 [1.995]	18	19	12	6-103672-8
		46.23 [1.820]	48.13 [1.895]	17	18	12	6-103672-7
		43.69 [1.720]	45.59 [1.795]	16	17	12	6-103672-6
		41.15 [1.620]	43.05 [1.695]	15	16		6-103672-5
		38.61 [1.520]	40.51 [1.595]	14	15	12	6-103672-4
		36.07 [1.420]	37.97 [1.495]	13	14	12	6-103672-3
		33.53 [1.320]	35.43 [1.395]	12	13	12	6-103672-2
		30.99 [1.220]	32.89 [1.295]	11	12		6-103672-1
		28.45 [1.120]	30.35 [1.195]	10	11	12	6-103672-0
		25.91 [1.020]	27.81 [1.095]	9	10		5-103672-9
		23.37 [.920]	25.27 [0.995]	8	9	12	5-103672-8
		20.83 [.820]	22.73 [.895]	7	8		5-103672-7
		18.29 [.720]	20.19 [.795]	6	7		5-103672-6
		15.75 [.620]	17.65 [.695]	5	6		5-103672-5
		13.21 [.520]	15.11 [.595]	4	5		5-103672-4
		10.67 [.420]	12.57 [.495]	3	4		5-103672-3
		8.13 [.320]	10.03 [.395]	2	3		5-103672-2
		5.59 [.220]	7.49 [.295]	1	2		5-103672-1
REMARKS	PLATING	C	B	A	NO. OF POSN	PART NO.	

		25.91 [1.020]	27.81 [1.095]	9	10		3-103672-0
		15.75 [.620]	17.65 [.695]	5	6		2-103672-9
		5.59 [.220]	7.493 [.295]	1	2		2-103672-8
		13.21 [.520]	15.11 [.595]	4	5		2-103672-7
		10.67 [.420]	12.57 [.495]	3	4		2-103672-6
		8.13 [.320]	10.03 [.395]	2	3		2-103672-5
		64.01 [2.520]	65.91 [2.595]	24	25	12	2-103672-4
		61.47 [2.420]	63.37 [2.495]	23	24	12	2-103672-3
		58.93 [2.320]	60.83 [2.395]	22	23	12	2-103672-2
		56.39 [2.220]	58.29 [2.295]	21	22	12	2-103672-1
		53.85 [2.120]	55.75 [2.195]	20	21	12	2-103672-0
		51.31 [2.020]	53.21 [2.095]	19	20	12	1-103672-9
		48.77 [1.920]	50.67 [1.995]	18	19	12	1-103672-8
		46.23 [1.820]	48.13 [1.895]	17	18	12	1-103672-7
		43.69 [1.720]	45.59 [1.795]	16	17	12	1-103672-6
		41.15 [1.620]	43.05 [1.695]	15	16		1-103672-5
		38.61 [1.520]	40.51 [1.595]	14	15		1-103672-4
		36.07 [1.420]	37.97 [1.495]	13	14	12	1-103672-3
		33.53 [1.320]	35.43 [1.395]	12	13	12	1-103672-2
		30.99 [1.220]	32.89 [1.295]	11	12		1-103672-1
		28.45 [1.120]	30.35 [1.195]	10	11		1-103672-0
		25.91 [1.020]	27.81 [1.095]	9	10		103672-9
		23.37 [.920]	25.27 [0.995]	8	9		103672-8
		20.83 [.820]	22.73 [.895]	7	8		103672-7
		18.29 [.720]	20.19 [.795]	6	7		103672-6
		15.75 [.620]	17.65 [.695]	5	6		103672-5
		13.21 [.520]	15.11 [.595]	4	5		103672-4
		10.67 [.420]	12.57 [.495]	3	4		103672-3
		8.13 [.320]	10.03 [.395]	2	3		103672-2
		5.59 [.220]	7.49 [.295]	1	2		103672-1
REMARKS	PLATING	C	B	A	NO. OF POSN	PART NO.	

THIS DRAWING IS A CONTROLLED DOCUMENT.

DRN R BROWN	09FEB01	TE Connectivity HDR ASSY, RTANG, SINGLE ROW 2.54[.100] CL, 0.64[.025] SQ POST, WITH PLZN & HOLD DOWNS, AMPMODU MTE
CHK K WRIGHT	09FEB01	
APVD K WRIGHT	09FEB01	
NAME		
DIMENSIONS: mm	TOLERANCES UNLESS OTHERWISE SPECIFIED:	PRODUCT SPEC 108-25034
0 PLC ±	1 PLC ±	APPLICATION SPEC 114-25026
2 PLC ± 0.13[.005]	3 PLC ±	SIZE CAGE CODE DRAWING NO
4 PLC ±	ANGLES ±	A1 00779 C=103672
MATERIAL	FINISH SEE TABLE	RESTRICTED TO
		SCALE 4:1 SHEET 2 OF 2 REV AE

CUSTOMER DRAWING

X-ON Electronics

Largest Supplier of Electrical and Electronic Components

Click to view similar products for [Headers & Wire Housings](#) category:

Click to view products by [TE Connectivity](#) manufacturer:

Other Similar products are found below :

[892-18-020-10-001101](#) [58102-G61-06LF](#) [582553-1](#) [0009485154](#) [009176003701906](#) [0050291907](#) [LY20-4P-DT1-P1E-BR](#) [02.125.8002.8](#)
[609-3404](#) [61062-3](#) [61082-181009](#) [622-3653LF](#) [63453-116](#) [636-1030](#) [636-1427](#) [636-3427](#) [636-4007](#) [641938-9](#) [641991-4](#) [644827-2](#) [65817-](#)
[010LF](#) [65817-015LF](#) [65863-015LF](#) [66207-023LF](#) [67095-007LF](#) [67601157](#) [68645-018](#) [68648-049](#) [70.362.1628.0](#) [70-4210](#) [70-4226B](#) [70-](#)
[4853B](#) [707-5020](#) [707-5028](#) [71.350.2428.0](#) [71918-208LF](#) [71961-016LF](#) [733-134](#) [733-162](#) [754199-000](#) [760-3052](#) [787-8014-00](#) [79531-3000](#)
[FCN-360C032-B](#) [FCN-367T-T012/H](#) [FCN-723D010/2](#) [80.063.4001.1](#) [800-90-001-10-001000](#) [800-90-010-10-002000](#) [801-43-002-10-013000](#)