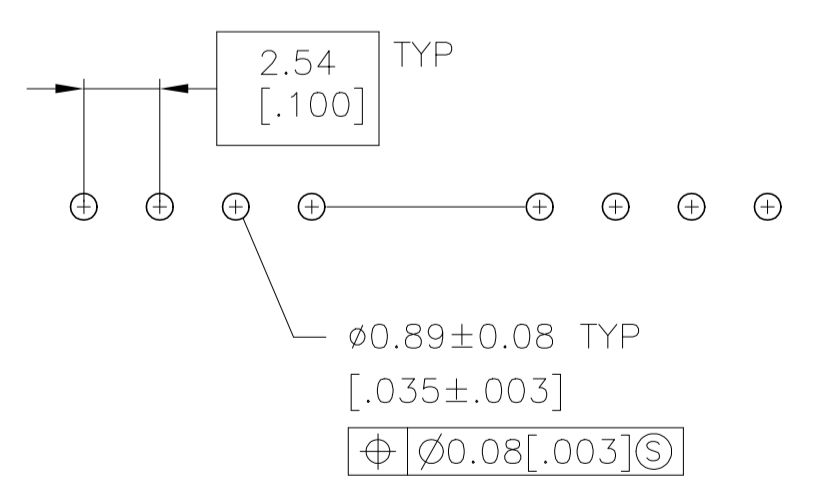
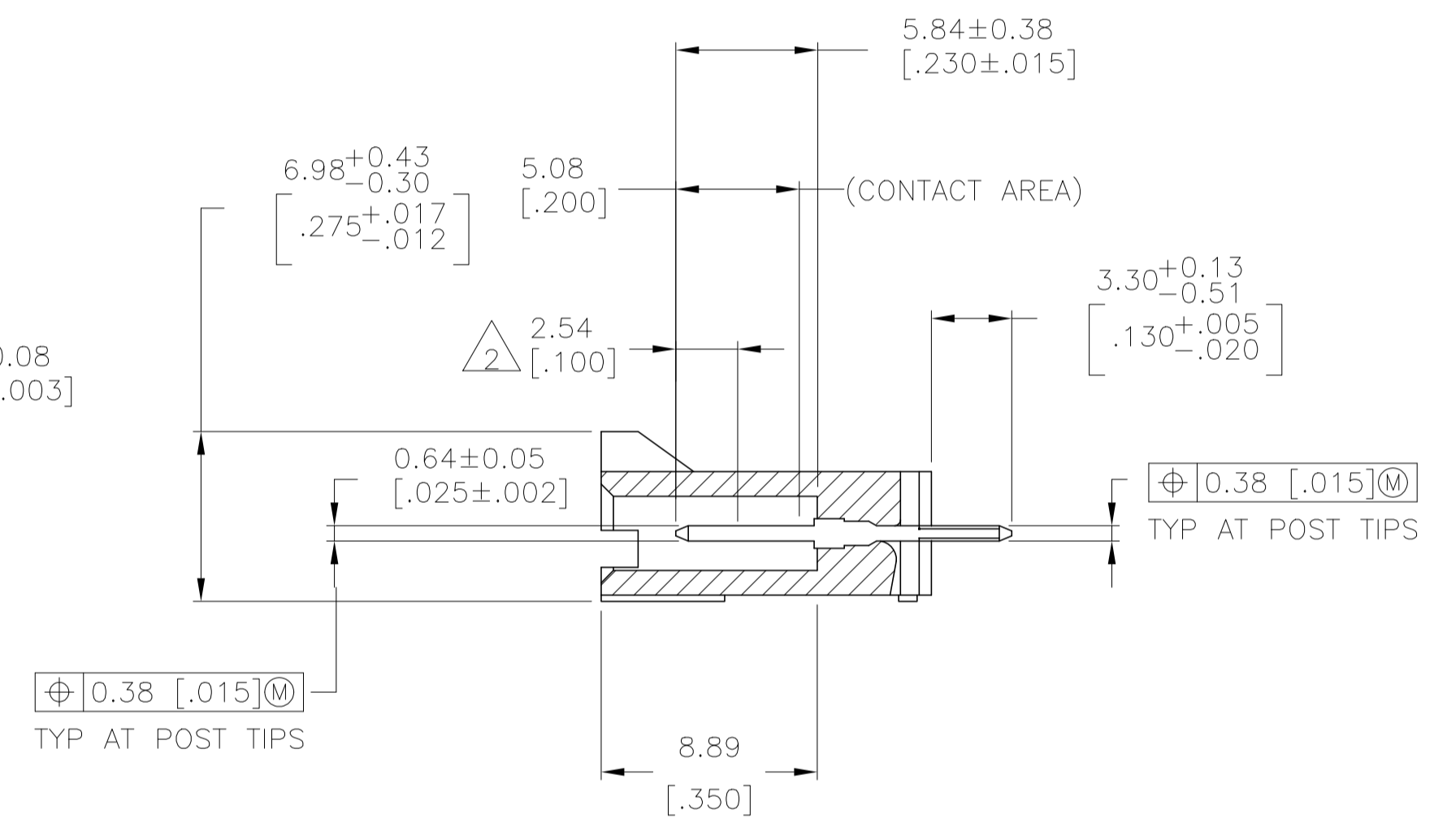
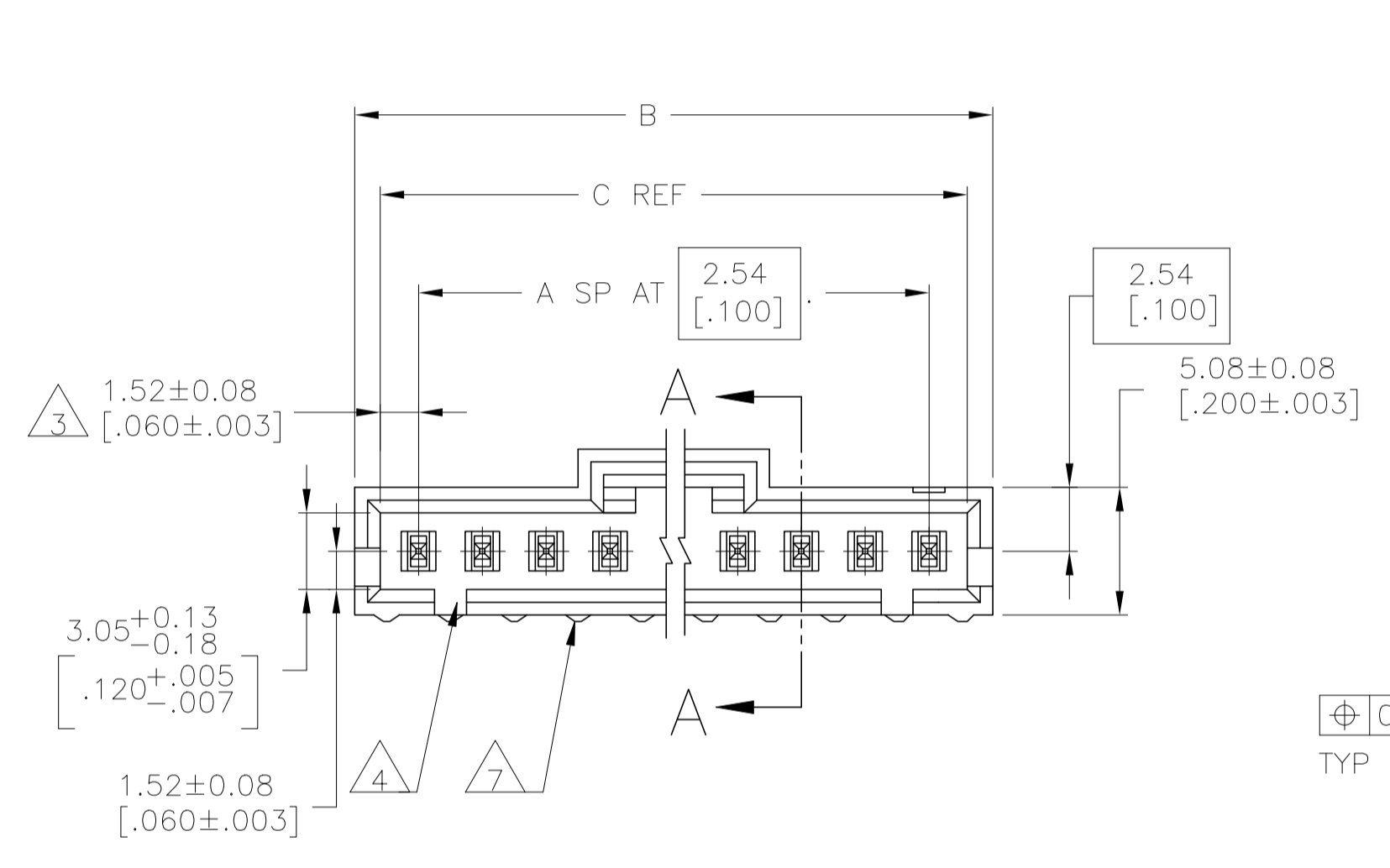
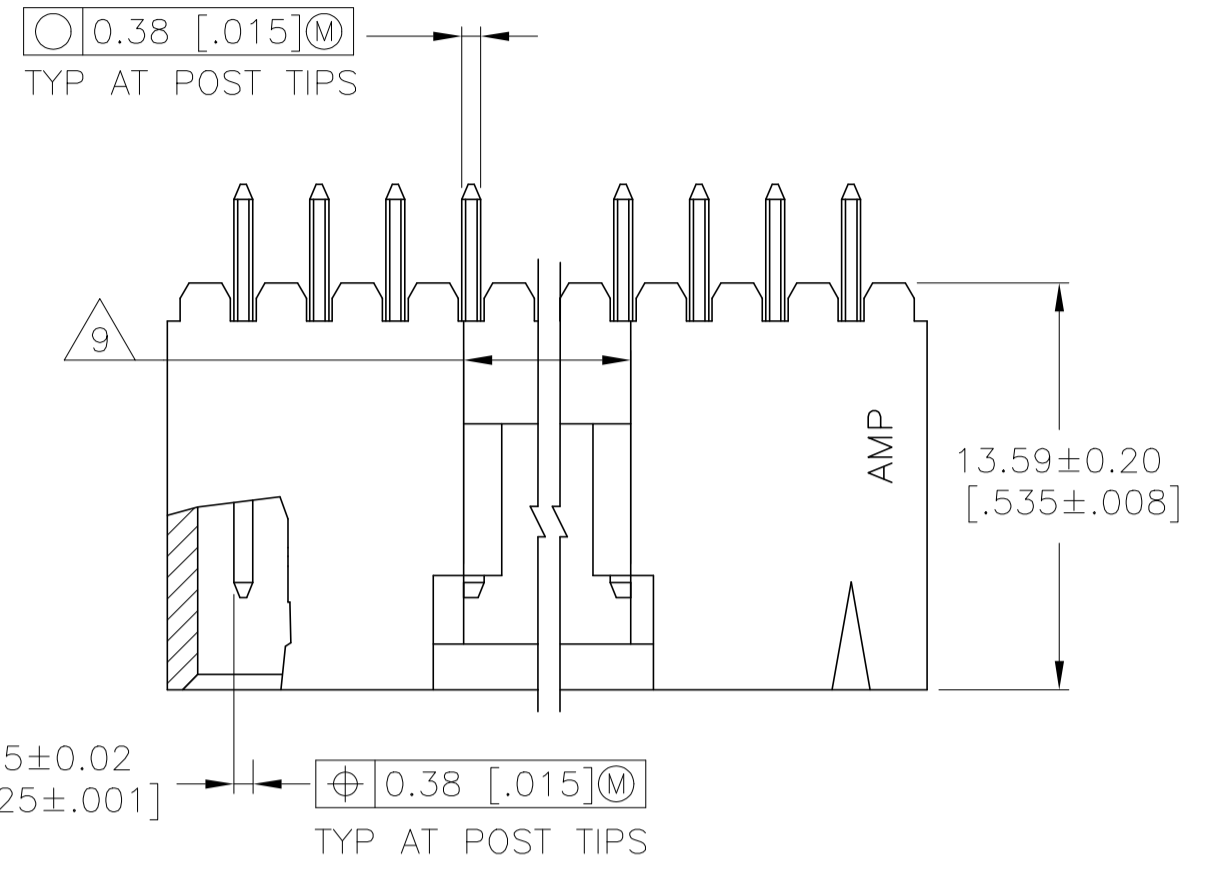


REVISIONS					
P	LTR	DESCRIPTION	DATE	DRN	APVD
V		REVISED PER ECO-17-002209	11APR2017	RS	MM
W		REVISED PER ECO-20-001323	19JUN2020	SM	JO

- 1 .00076[.000030] GOLD IN THE CONTACT AREA, .00254[.000100] MATTE TIN-LEAD ON REMAINDER OF CONTACT, ALL OVER .00127[.000050] NICKEL.
- 2 POINT OF MEASUREMENT FOR PLATING THICKNESS.
- 3 THE NOTED DIMENSIONS APPLY AT THE INTERSECTION OF THE POST AND THE HOUSING.
- 4 ON ASSEMBLIES WITH FOUR OR MORE POSITIONS, TWO POLARIZATION SLOTS. ON ASSEMBLIES WITH TWO OR THREE POSITIONS, ONE POLARIZATION SLOT.
- 5 .00076[.000030] GOLD IN THE CONTACT AREA, .00254[.000100] MATTE TIN ON REMAINDER OF CONTACT, ALL OVER .00127[.000050] NICKEL.
- 6 HIGH TEMPERATURE CONFIGURATION
- 7 STANDOFFS NOT PRESENT ON UNDERSIDE OF ASSEMBLY
- 8 OBSOLETE PARTS: OBSOLETE CIS STREAMLINING PER D.RENAUD/D.SINISI
- 9 0.25 [.010] RECESS PERMISSIBLE IN THIS AREA FOR MOLD SHUT OFF



RECOMMENDED HOLE LAYOUT

	6	1	64.01 [2.520]	65.91 [2.595]	24	25	2-103735-4
8 OBSOLETE	6	1	61.47 [2.420]	63.37 [2.495]	23	24	-2-103735-3
8 OBSOLETE	6	1	58.93 [2.320]	60.83 [2.395]	22	23	-2-103735-2
8 OBSOLETE	6	1	56.39 [2.220]	58.29 [2.295]	21	22	-2-103735-1
8 OBSOLETE	6	1	53.85 [2.120]	55.75 [2.195]	20	21	-2-103735-0
	6	1	51.31 [2.020]	53.21 [2.095]	19	20	1-103735-9
8 OBSOLETE	6	1	48.77 [1.920]	50.67 [1.995]	18	19	-1-103735-8
	6	1	46.23 [1.820]	48.13 [1.895]	17	18	1-103735-7
	6	1	43.69 [1.720]	45.59 [1.795]	16	17	1-103735-6
	6	1	41.15 [1.620]	43.05 [1.695]	15	16	1-103735-5
	6	1	38.61 [1.520]	40.51 [1.595]	14	15	1-103735-4
	6	1	36.07 [1.420]	37.97 [1.495]	13	14	1-103735-3
	6	1	33.53 [1.320]	35.43 [1.395]	12	13	1-103735-2
	6	1	30.99 [1.220]	32.89 [1.295]	11	12	1-103735-1
	6	1	28.45 [1.120]	30.35 [1.195]	10	11	1-103735-0
	6	1	25.91 [1.020]	27.81 [1.095]	9	10	103735-9
	6	1	23.37 [.920]	25.27 [0.995]	8	9	103735-8
	6	1	20.83 [.820]	22.73 [.895]	7	8	103735-7
	6	1	18.29 [.720]	20.19 [.795]	6	7	103735-6
	6	1	15.75 [.620]	17.65 [.695]	5	6	103735-5
	6	1	13.21 [.520]	15.11 [.595]	4	5	103735-4
	6	1	10.67 [.420]	12.57 [.495]	3	4	103735-3
	6	1	8.13 [.320]	10.03 [.395]	2	3	103735-2
	6	1	5.59 [.220]	7.49 [.295]	1	2	103735-1

REMARKS	PLATING	C	B	A	NO. OF POSN	PART NO.

THIS DRAWING IS A CONTROLLED DOCUMENT. DWN S. SHUEY 3-5-91
 DW L. CASTAGNA 3-27-91
 APVD L. CASTAGNA 3-27-91

STE TE Connectivity

DIMENSIONS: mm [INCHES]
 TOLERANCES UNLESS OTHERWISE SPECIFIED:
 0 PLC ±
 1 PLC ±
 2 PLC ± 0.13[.005]
 3 PLC ±
 4 PLC ±
 ANGLES ±

MATERIAL: HOUSING: FLAME RETARDANT LCP COLOUR: BLACK CONTACTS: BRASS FINISH: SEE TABLE WEIGHT: CUSTOMER DRAWING

PRODUCT SPEC: HDR ASSY, VERT, SINGLE ROW 2.54[.100] C, 0.64[.025] SQ POST, WITH PLZN & LATCHING, AMPMODU MTE APPLICATION SPEC

SCALE: 4:1 SHEET 1 OF 2 REV W

THIS DRAWING IS UNPUBLISHED. RELEASED FOR PUBLICATION
 © COPYRIGHT - By - ALL RIGHTS RESERVED.

REVISIONS				
P	LTR	DESCRIPTION	DATE	APP'D
		SEE SHEET 1	-	-

REMARKS	PLATING	C	B	A	NO. OF POSN	PART NO.
					24	7-103735-4
OBSELETE					23	-7-103735-3
OBSELETE					22	-7-103735-2
OBSELETE					21	-7-103735-1
OBSELETE					20	-7-103735-0
					19	6-103735-9
OBSELETE					18	-6-103735-8
OBSELETE					17	-6-103735-7
					16	6-103735-6
					15	6-103735-5
					14	6-103735-4
					13	6-103735-3
OBSELETE					12	-6-103735-2
					11	6-103735-1
					10	6-103735-0
					9	5-103735-9
					8	5-103735-8
					7	5-103735-7
					6	5-103735-6
					5	5-103735-5
					4	5-103735-4
					3	5-103735-3
					2	5-103735-2
					1	5-103735-1

THIS DRAWING IS A CONTROLLED DOCUMENT. DWN S. SHUEY 3-5-91
 DWK L. CASTAGNA 3-27-91
 APVD L. CASTAGNA 3-27-91

STE TE Connectivity

PRODUCT SPEC: HDR ASSY, VERT, SINGLE ROW
 2.54[.100] @ 0.64[.025] SQ POST,
 WITH PLZN & LATCHING, AMPMODU MTE

APPLICATION SPEC: ---

SIZE: A1 CAGE CODE: 100779 DRAWING NO: 103735 RESTRICTED TO: ---

MATERIAL: HOUSING: PLAME RETARDANT
 LCP COLOUR: BLACK CONTACTS: BRASS FINISH: SEE TABLE WEIGHT: ---

CUSTOMER DRAWING SCALE: 4:1 SHEET 2 OF 2 REV W

X-ON Electronics

Largest Supplier of Electrical and Electronic Components

Click to view similar products for [Headers & Wire Housings](#) category:

Click to view products by [TE Connectivity](#) manufacturer:

Other Similar products are found below :

[892-18-020-10-001101](#) [58102-G61-06LF](#) [582553-1](#) [0009485154](#) [009176003701906](#) [0050291907](#) [LY20-4P-DT1-P1E-BR](#) [02.125.8002.8](#)
[609-3404](#) [61062-3](#) [61082-181009](#) [622-3653LF](#) [63453-116](#) [636-1030](#) [636-1427](#) [636-3427](#) [636-4007](#) [641938-9](#) [641991-4](#) [644827-2](#) [65817-010LF](#) [65817-015LF](#) [65863-015LF](#) [66207-023LF](#) [67095-007LF](#) [67601157](#) [68645-018](#) [68648-049](#) [70.362.1628.0](#) [70-4210](#) [70-4226B](#) [70-4853B](#) [707-5020](#) [707-5028](#) [71.350.2428.0](#) [71918-208LF](#) [71961-016LF](#) [733-134](#) [733-162](#) [754199-000](#) [760-3052](#) [787-8014-00](#) [79531-3000](#)
[FCN-360C032-B](#) [FCN-367T-T012/H](#) [FCN-723D010/2](#) [80.063.4001.1](#) [800-90-001-10-001000](#) [800-90-010-10-002000](#) [801-43-002-10-013000](#)