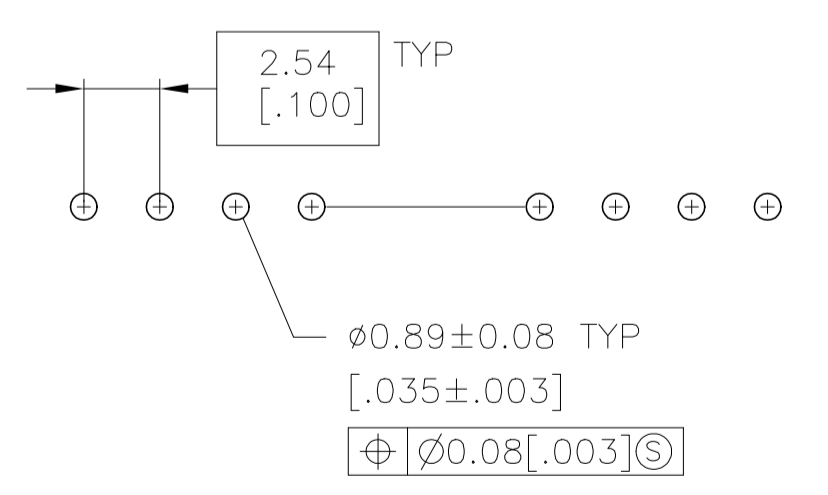
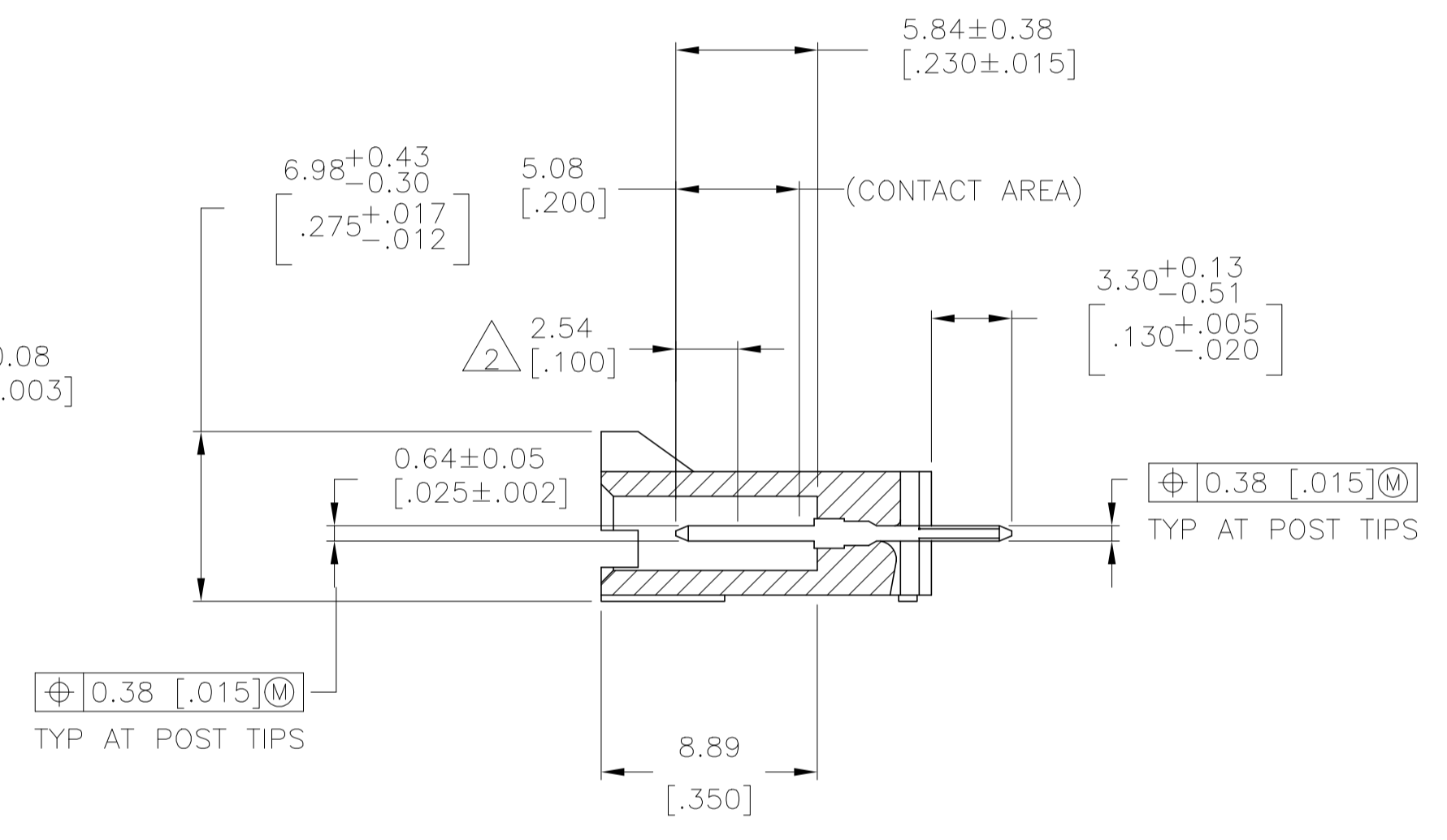
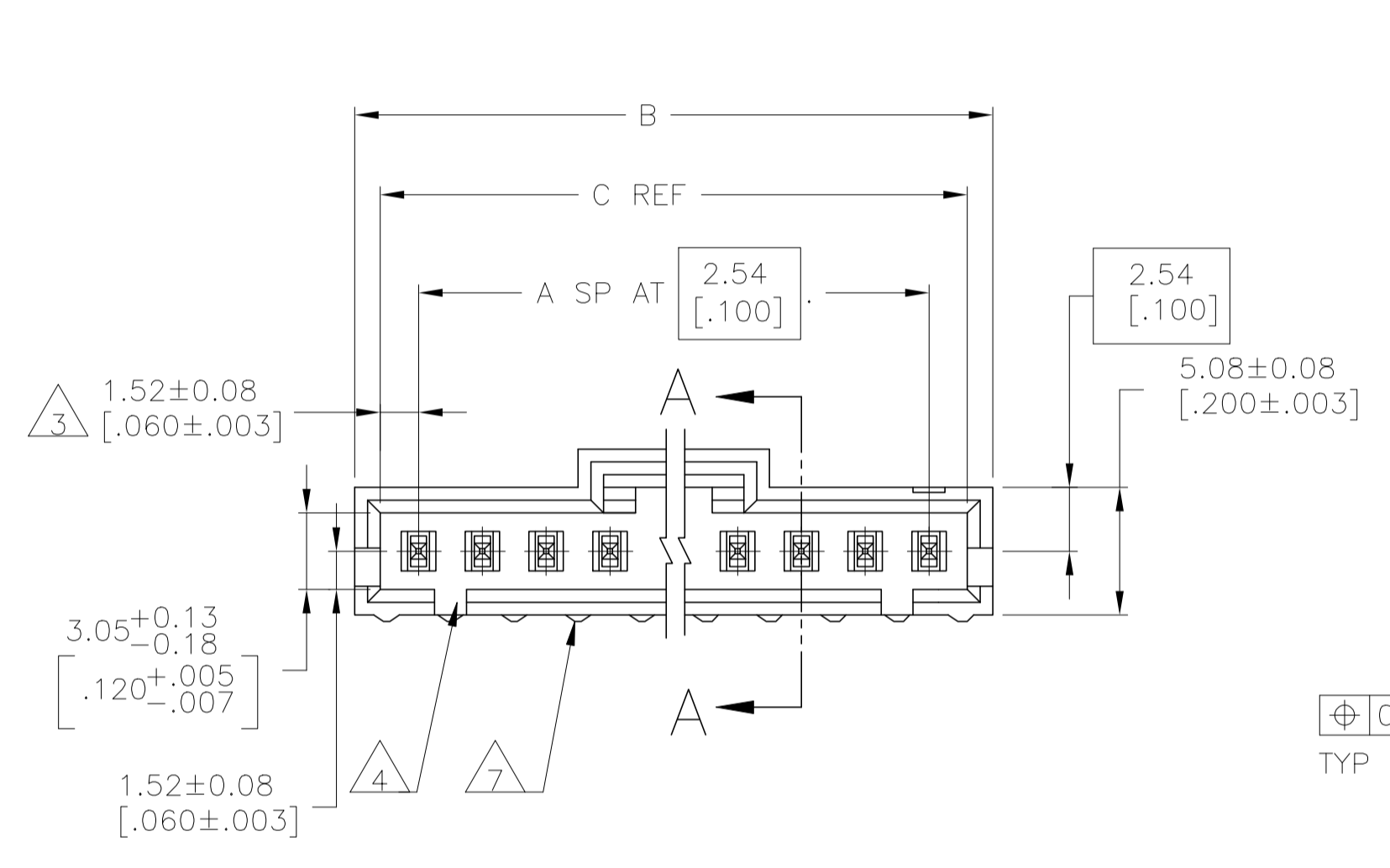
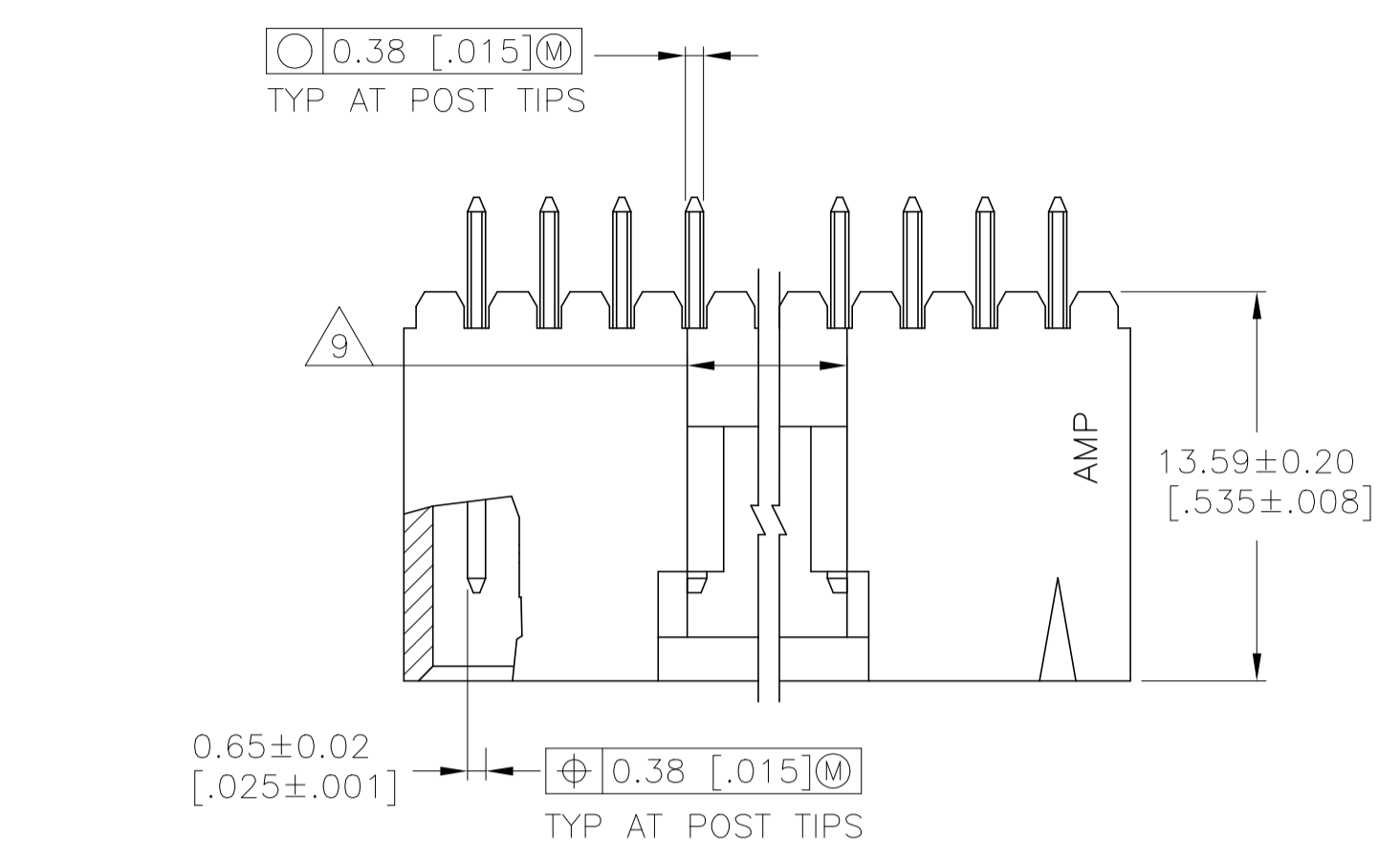


| REVISIONS |     |                           |           |     |      |
|-----------|-----|---------------------------|-----------|-----|------|
| P         | LTR | DESCRIPTION               | DATE      | DRN | APVD |
| V         |     | REVISED PER ECO-17-002209 | 11APR2017 | RS  | MM   |
| W         |     | REVISED PER ECO-20-001323 | 19JUN2020 | SM  | JO   |

- 1 .00076[.000030] GOLD IN THE CONTACT AREA, .00254[.000100] MATTE TIN-LEAD ON REMAINDER OF CONTACT, ALL OVER .00127[.000050] NICKEL.
- 2 POINT OF MEASUREMENT FOR PLATING THICKNESS.
- 3 THE NOTED DIMENSIONS APPLY AT THE INTERSECTION OF THE POST AND THE HOUSING.
- 4 ON ASSEMBLIES WITH FOUR OR MORE POSITIONS, TWO POLARIZATION SLOTS. ON ASSEMBLIES WITH TWO OR THREE POSITIONS, ONE POLARIZATION SLOT.
- 5 .00076[.000030] GOLD IN THE CONTACT AREA, .00254[.000100] MATTE TIN ON REMAINDER OF CONTACT, ALL OVER .00127[.000050] NICKEL.
- 6 HIGH TEMPERATURE CONFIGURATION
- 7 STANDOFFS NOT PRESENT ON UNDERSIDE OF ASSEMBLY
- 8 OBSOLETE PARTS: OBSOLETE CIS STREAMLINING PER D.RENAUD/D.SINISI
- 9 0.25 [.010] RECESS PERMISSIBLE IN THIS AREA FOR MOLD SHUT OFF



RECOMMENDED HOLE LAYOUT

| REMARKS    | PLATING | C             | B             | A | NO. OF POSN | PART NO. |            |
|------------|---------|---------------|---------------|---|-------------|----------|------------|
|            |         | 64.01 [2.520] | 65.91 [2.595] |   | 24          | 25       | 2-103735-4 |
| 8 OBSOLETE |         | 61.47 [2.420] | 63.37 [2.495] |   | 23          | 24       | 2-103735-3 |
| 8 OBSOLETE |         | 58.93 [2.320] | 60.83 [2.395] |   | 22          | 23       | 2-103735-2 |
| 8 OBSOLETE |         | 56.39 [2.220] | 58.29 [2.295] |   | 21          | 22       | 2-103735-1 |
| 8 OBSOLETE |         | 53.85 [2.120] | 55.75 [2.195] |   | 20          | 21       | 2-103735-0 |
|            |         | 51.31 [2.020] | 53.21 [2.095] |   | 19          | 20       | 1-103735-9 |
| 8 OBSOLETE |         | 48.77 [1.920] | 50.67 [1.995] |   | 18          | 19       | 1-103735-8 |
|            |         | 46.23 [1.820] | 48.13 [1.895] |   | 17          | 18       | 1-103735-7 |
|            |         | 43.69 [1.720] | 45.59 [1.795] |   | 16          | 17       | 1-103735-6 |
|            |         | 41.15 [1.620] | 43.05 [1.695] |   | 15          | 16       | 1-103735-5 |
|            |         | 38.61 [1.520] | 40.51 [1.595] |   | 14          | 15       | 1-103735-4 |
|            |         | 36.07 [1.420] | 37.97 [1.495] |   | 13          | 14       | 1-103735-3 |
|            |         | 33.53 [1.320] | 35.43 [1.395] |   | 12          | 13       | 1-103735-2 |
|            |         | 30.99 [1.220] | 32.89 [1.295] |   | 11          | 12       | 1-103735-1 |
|            |         | 28.45 [1.120] | 30.35 [1.195] |   | 10          | 11       | 1-103735-0 |
|            |         | 25.91 [1.020] | 27.81 [1.095] |   | 9           | 10       | 103735-9   |
|            |         | 23.37 [.920]  | 25.27 [0.995] |   | 8           | 9        | 103735-8   |
|            |         | 20.83 [.820]  | 22.73 [.895]  |   | 7           | 8        | 103735-7   |
|            |         | 18.29 [.720]  | 20.19 [.795]  |   | 6           | 7        | 103735-6   |
|            |         | 15.75 [.620]  | 17.65 [.695]  |   | 5           | 6        | 103735-5   |
|            |         | 13.21 [.520]  | 15.11 [.595]  |   | 4           | 5        | 103735-4   |
|            |         | 10.67 [.420]  | 12.57 [.495]  |   | 3           | 4        | 103735-3   |
|            |         | 8.13 [.320]   | 10.03 [.395]  |   | 2           | 3        | 103735-2   |
|            |         | 5.59 [.220]   | 7.49 [.295]   |   | 1           | 2        | 103735-1   |

THIS DRAWING IS A CONTROLLED DOCUMENT. DWN S. SHUEY 3-5-91  
 DWG L. CASTAGNA 3-27-91  
 APVD L. CASTAGNA 3-27-91

**STE** TE Connectivity

HDR ASSY, VERT, SINGLE ROW  
 2.54[.100] C, 0.64[.025] SQ POST,  
 WITH PLZN & LATCHING, AMPMODU MTE

PRODUCT SPEC: 0 PLC ±, 1 PLC ±, 2 PLC ± 0.13[.005], 3 PLC ±, 4 PLC ±, ANGLES ±

APPLICATION SPEC: —

SCALE: 4:1

RESTRICTED TO: —

CUSTOMER DRAWING

THIS DRAWING IS UNPUBLISHED. RELEASED FOR PUBLICATION  
 © COPYRIGHT - By - ALL RIGHTS RESERVED.

| REVISIONS |    |             |      |       |
|-----------|----|-------------|------|-------|
| P         | LR | DESCRIPTION | DATE | APP'D |
|           |    | SEE SHEET 1 | -    | -     |

| REMARKS  | PLATING | C | B | A | NO. OF POSN | PART NO.    |
|----------|---------|---|---|---|-------------|-------------|
|          |         |   |   |   | 24          | 7-103735-4  |
| OBSELETE |         |   |   |   | 23          | -7-103735-3 |
| OBSELETE |         |   |   |   | 22          | -7-103735-2 |
| OBSELETE |         |   |   |   | 21          | -7-103735-1 |
| OBSELETE |         |   |   |   | 20          | -7-103735-0 |
|          |         |   |   |   | 19          | 6-103735-9  |
| OBSELETE |         |   |   |   | 18          | -6-103735-8 |
| OBSELETE |         |   |   |   | 17          | -6-103735-7 |
|          |         |   |   |   | 16          | 6-103735-6  |
|          |         |   |   |   | 15          | 6-103735-5  |
|          |         |   |   |   | 14          | 6-103735-4  |
|          |         |   |   |   | 13          | 6-103735-3  |
| OBSELETE |         |   |   |   | 12          | -6-103735-2 |
|          |         |   |   |   | 11          | 6-103735-1  |
|          |         |   |   |   | 10          | 6-103735-0  |
|          |         |   |   |   | 9           | 5-103735-9  |
|          |         |   |   |   | 8           | 5-103735-8  |
|          |         |   |   |   | 7           | 5-103735-7  |
|          |         |   |   |   | 6           | 5-103735-6  |
|          |         |   |   |   | 5           | 5-103735-5  |
|          |         |   |   |   | 4           | 5-103735-4  |
|          |         |   |   |   | 3           | 5-103735-3  |
|          |         |   |   |   | 2           | 5-103735-2  |
|          |         |   |   |   | 1           | 5-103735-1  |

THIS DRAWING IS A CONTROLLED DOCUMENT. DWN S. SHUEY 3-5-91  
 DWK L. CASTAGNA 3-27-91  
 APVD L. CASTAGNA 3-27-91

**STE** TE Connectivity

PRODUCT SPEC: HDR ASSY, VERT, SINGLE ROW  
 2.54[.100] @ 0.64[.025] SQ POST.  
 WITH PLZN & LATCHING, AMPMODU MTE

APPLICATION SPEC: ---

SIZE: A1 CAGE CODE: 100779 DRAWING NO: 103735 RESTRICTED TO: ---

MATERIAL: HOUSING: PLAME RETARDANT COP COLOUR: BLACK CONTACTS: BRASS FINISH: SEE TABLE WEIGHT: ---

CUSTOMER DRAWING SCALE: 4:1 SHEET: 2 OF 2 REV: W

## X-ON Electronics

Largest Supplier of Electrical and Electronic Components

*Click to view similar products for [Headers & Wire Housings](#) category:*

*Click to view products by [TE Connectivity](#) manufacturer:*

Other Similar products are found below :

[892-18-020-10-001101](#) [58102-G61-06LF](#) [582553-1](#) [0009485154](#) [009176003701906](#) [0050291907](#) [LY20-4P-DT1-P1E-BR](#) [02.125.8002.8](#)  
[609-3404](#) [61062-3](#) [61082-181009](#) [622-3653LF](#) [63453-116](#) [636-1030](#) [636-1427](#) [636-3427](#) [636-4007](#) [641938-9](#) [641991-4](#) [644827-2](#) [65817-](#)  
[010LF](#) [65817-015LF](#) [65863-015LF](#) [66207-023LF](#) [67095-007LF](#) [67601157](#) [68645-018](#) [68648-049](#) [70.362.1628.0](#) [70-4210](#) [70-4226B](#) [70-](#)  
[4853B](#) [707-5020](#) [707-5028](#) [71.350.2428.0](#) [71918-208LF](#) [71961-016LF](#) [733-134](#) [733-162](#) [754199-000](#) [760-3052](#) [787-8014-00](#) [79531-3000](#)  
[FCN-360C032-B](#) [FCN-367T-T012/H](#) [FCN-723D010/2](#) [80.063.4001.1](#) [800-90-001-10-001000](#) [800-90-010-10-002000](#) [801-43-002-10-013000](#)