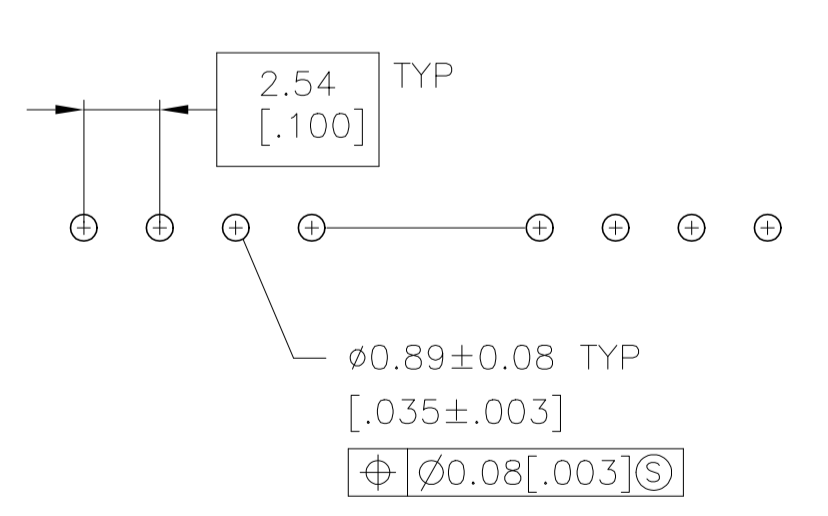
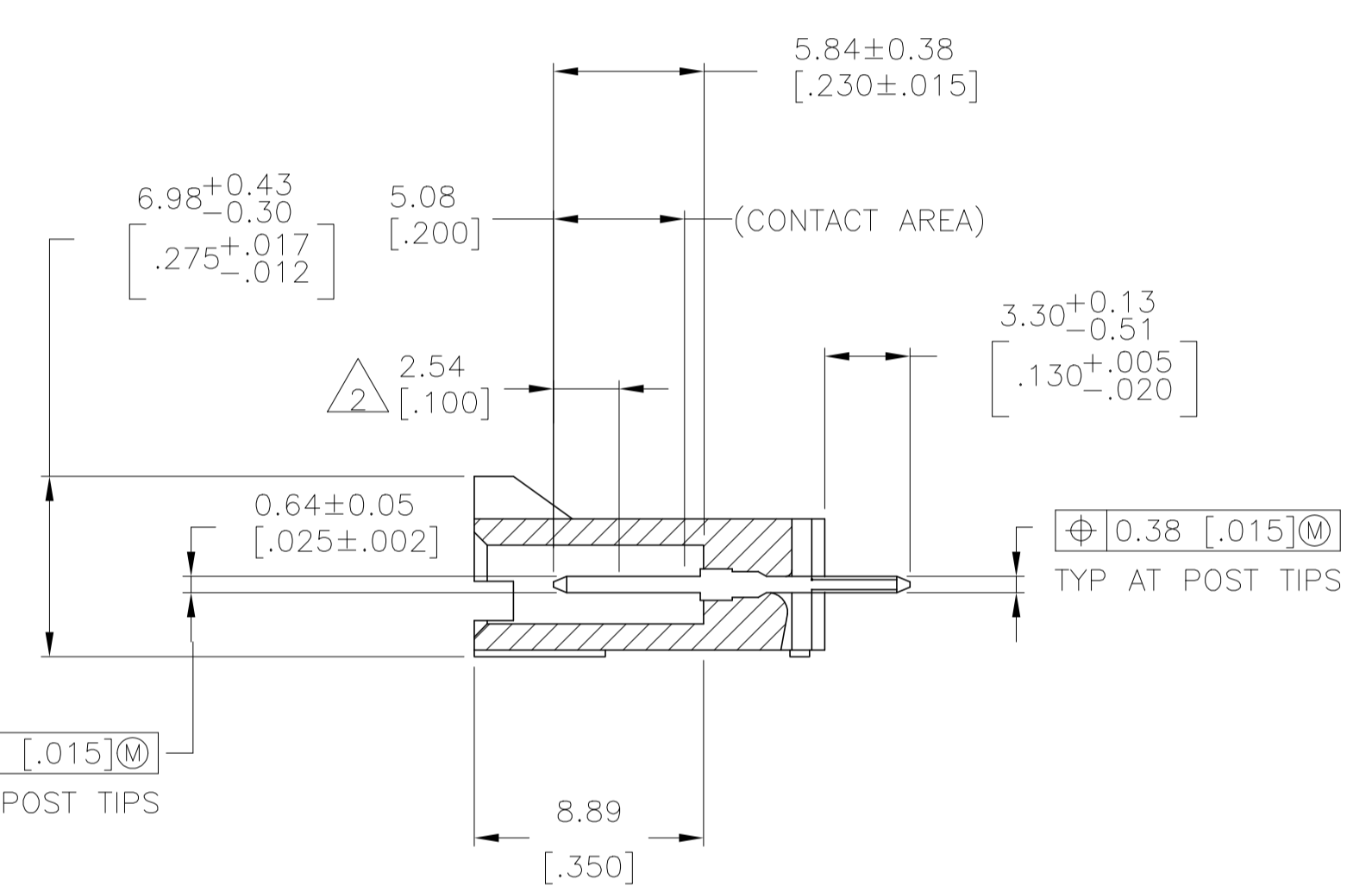
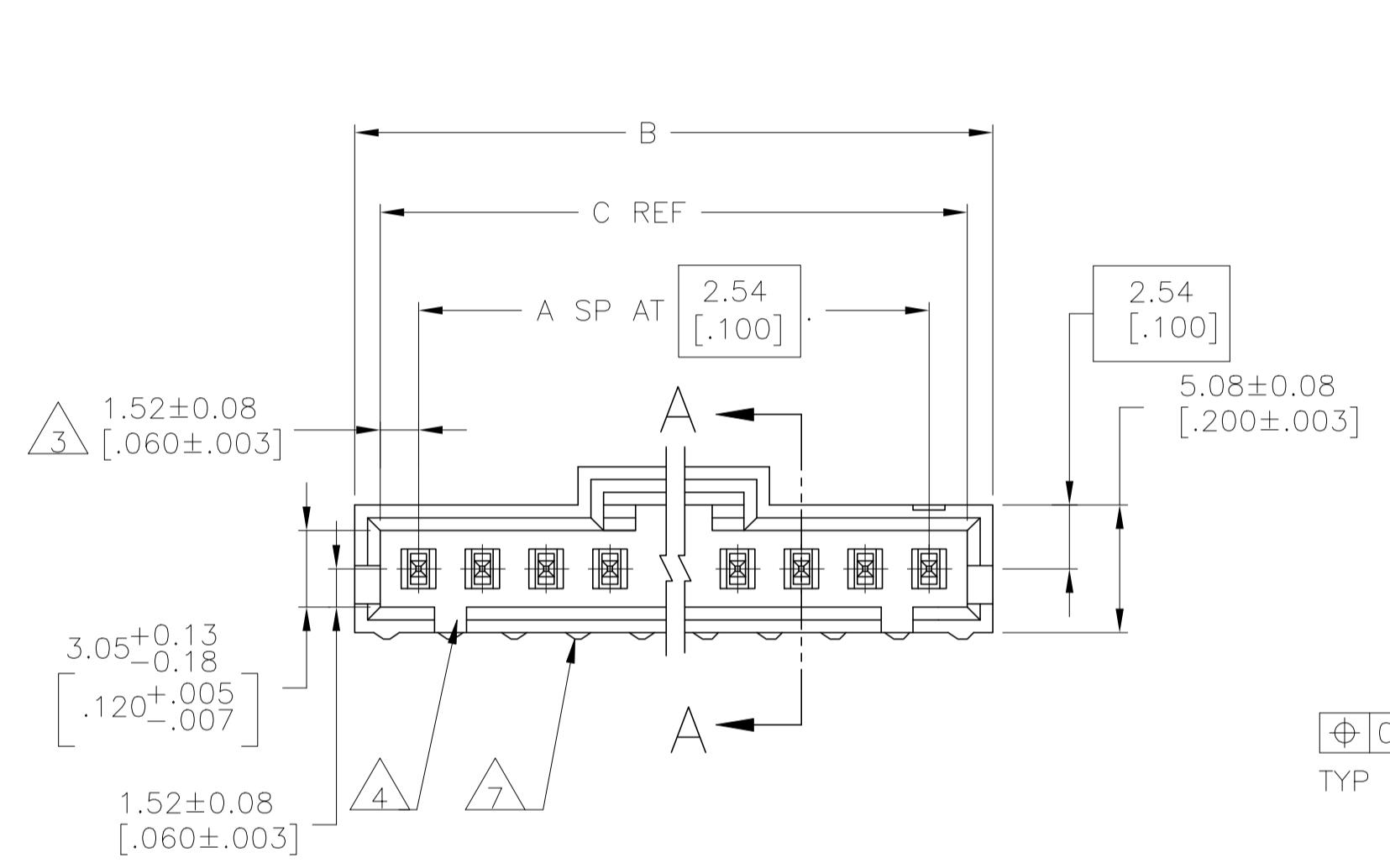
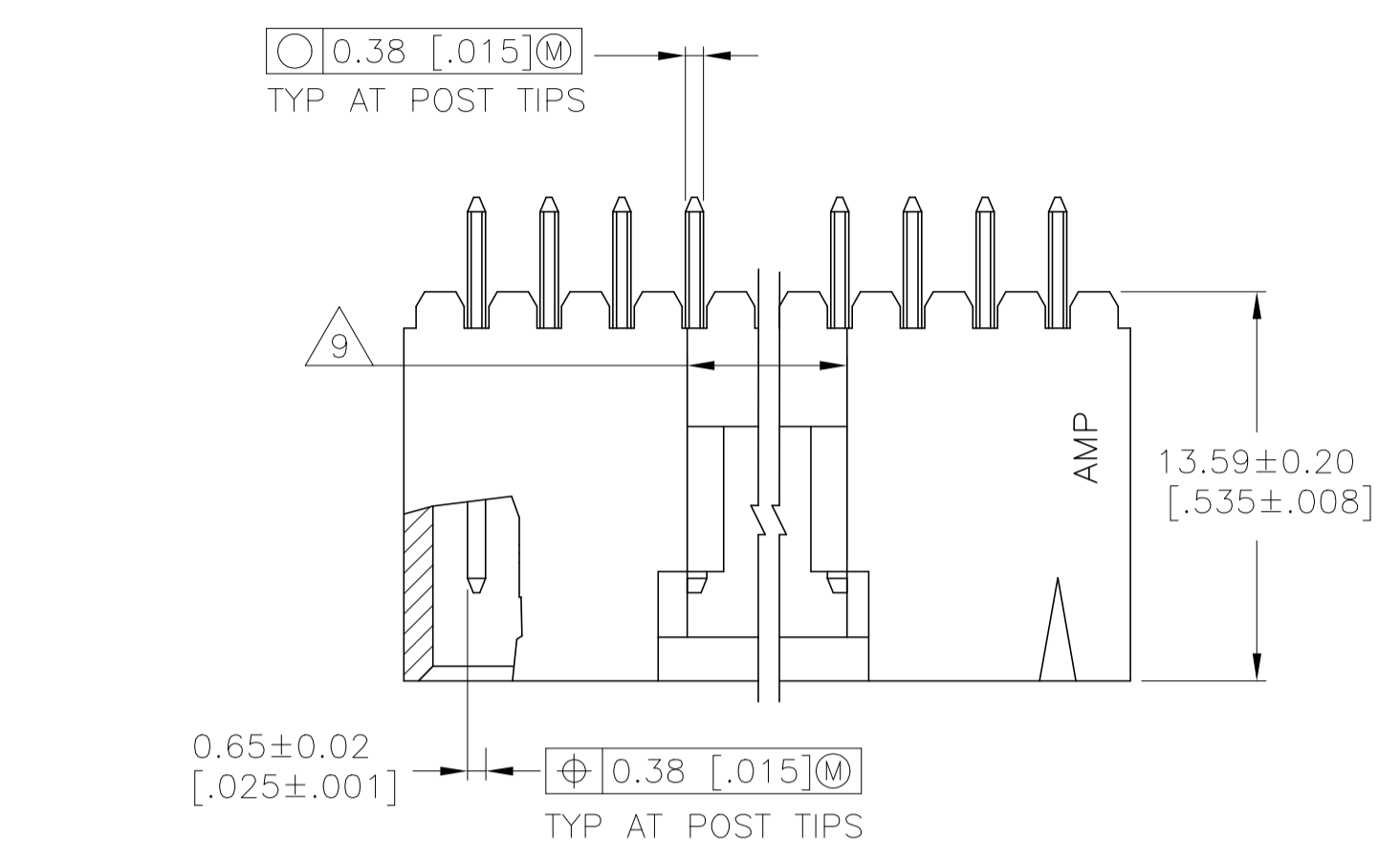


REVISIONS					
P	LTR	DESCRIPTION	DATE	DRN	APVD
V		REVISED PER ECO-17-002209	11APR2017	RS	MM
W		REVISED PER ECO-20-001323	19JUN2020	SM	JO

- 1 .00076[.000030] GOLD IN THE CONTACT AREA, .00254[.000100] MATTE TIN-LEAD ON REMAINDER OF CONTACT, ALL OVER .00127[.000050] NICKEL.
- 2 POINT OF MEASUREMENT FOR PLATING THICKNESS.
- 3 THE NOTED DIMENSIONS APPLY AT THE INTERSECTION OF THE POST AND THE HOUSING.
- 4 ON ASSEMBLIES WITH FOUR OR MORE POSITIONS, TWO POLARIZATION SLOTS. ON ASSEMBLIES WITH TWO OR THREE POSITIONS, ONE POLARIZATION SLOT.
- 5 .00076[.000030] GOLD IN THE CONTACT AREA, .00254[.000100] MATTE TIN ON REMAINDER OF CONTACT, ALL OVER .00127[.000050] NICKEL.
- 6 HIGH TEMPERATURE CONFIGURATION
- 7 STANDOFFS NOT PRESENT ON UNDERSIDE OF ASSEMBLY
- 8 OBSOLETE PARTS: OBSOLETE CIS STREAMLINING PER D.RENAUD/D.SINISI
- 9 0.25 [.010] RECESS PERMISSIBLE IN THIS AREA FOR MOLD SHUT OFF



RECOMMENDED HOLE LAYOUT

REMARKS	PLATING	C	B	A	NO. OF POSN	PART NO.	
		64.01 [2.520]	65.91 [2.595]		24	25	2-103735-4
8 OBSOLETE		61.47 [2.420]	63.37 [2.495]		23	24	2-103735-3
8 OBSOLETE		58.93 [2.320]	60.83 [2.395]		22	23	2-103735-2
8 OBSOLETE		56.39 [2.220]	58.29 [2.295]		21	22	2-103735-1
8 OBSOLETE		53.85 [2.120]	55.75 [2.195]		20	21	2-103735-0
		51.31 [2.020]	53.21 [2.095]		19	20	1-103735-9
8 OBSOLETE		48.77 [1.920]	50.67 [1.995]		18	19	1-103735-8
		46.23 [1.820]	48.13 [1.895]		17	18	1-103735-7
		43.69 [1.720]	45.59 [1.795]		16	17	1-103735-6
		41.15 [1.620]	43.05 [1.695]		15	16	1-103735-5
		38.61 [1.520]	40.51 [1.595]		14	15	1-103735-4
		36.07 [1.420]	37.97 [1.495]		13	14	1-103735-3
		33.53 [1.320]	35.43 [1.395]		12	13	1-103735-2
		30.99 [1.220]	32.89 [1.295]		11	12	1-103735-1
		28.45 [1.120]	30.35 [1.195]		10	11	1-103735-0
		25.91 [1.020]	27.81 [1.095]		9	10	103735-9
		23.37 [.920]	25.27 [0.995]		8	9	103735-8
		20.83 [.820]	22.73 [.895]		7	8	103735-7
		18.29 [.720]	20.19 [.795]		6	7	103735-6
		15.75 [.620]	17.65 [.695]		5	6	103735-5
		13.21 [.520]	15.11 [.595]		4	5	103735-4
		10.67 [.420]	12.57 [.495]		3	4	103735-3
		8.13 [.320]	10.03 [.395]		2	3	103735-2
		5.59 [.220]	7.49 [.295]		1	2	103735-1

THIS DRAWING IS A CONTROLLED DOCUMENT. DWN S. SHUEY 3-5-91
 DWK L. CASTAGNA 3-27-91
 L. CASTAGNA 3-27-91

STE TE Connectivity

HDR ASSY, VERT, SINGLE ROW
 2.54[.100] @ 0.64[.025] SQ POST,
 WITH PLZN & LATCHING, AMPMODU MTE


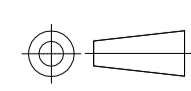
SCALE 4:1 SHEET 1 OF 2 REV W

THIS DRAWING IS UNPUBLISHED. RELEASED FOR PUBLICATION
COPYRIGHT - By - ALL RIGHTS RESERVED.

REVISIONS				
P	LTR	DESCRIPTION	DATE	APP'D
		SEE SHEET 1	-	-

		△6	△7	△5						
					64.01 [2.520]	65.91 [2.595]	24	25	7-103735-4	
△8	OBSOLETE				61.47 [2.420]	63.37 [2.495]	23	24	7-103735-3	
△8	OBSOLETE				58.93 [2.320]	60.83 [2.395]	22	23	7-103735-2	
△8	OBSOLETE				56.39 [2.220]	58.29 [2.295]	21	22	7-103735-1	
△8	OBSOLETE				53.85 [2.120]	55.75 [2.195]	20	21	7-103735-0	
					51.31 [2.020]	53.21 [2.095]	19	20	6-103735-9	
△8	OBSOLETE				48.77 [1.920]	50.67 [1.995]	18	19	6-103735-8	
△8	OBSOLETE				46.23 [1.820]	48.13 [1.895]	17	18	6-103735-7	
					43.69 [1.720]	45.59 [1.795]	16	17	6-103735-6	
					41.15 [1.620]	43.05 [1.695]	15	16	6-103735-5	
					38.61 [1.520]	40.51 [1.595]	14	15	6-103735-4	
					36.07 [1.420]	37.97 [1.495]	13	14	6-103735-3	
△8	OBSOLETE				33.53 [1.320]	35.43 [1.395]	12	13	6-103735-2	
					30.99 [1.220]	32.89 [1.295]	11	12	6-103735-1	
					28.45 [1.120]	30.35 [1.195]	10	11	6-103735-0	
					25.91 [1.020]	27.81 [1.095]	9	10	5-103735-9	
					23.37 [.920]	25.27 [0.995]	8	9	5-103735-8	
					20.83 [.820]	22.73 [.895]	7	8	5-103735-7	
					18.29 [.720]	20.19 [.795]	6	7	5-103735-6	
					15.75 [.620]	17.65 [.695]	5	6	5-103735-5	
					13.21 [.520]	15.11 [.595]	4	5	5-103735-4	
					10.67 [.420]	12.57 [.495]	3	4	5-103735-3	
					8.13 [.320]	10.03 [.395]	2	3	5-103735-2	
					5.59 [.220]	7.49 [.295]	1	2	5-103735-1	
	REMARKS		PLATING		C	B	A	NO. OF POSN	PART NO.	

THIS DRAWING IS A CONTROLLED DOCUMENT.

DWN S. SHUEY 3-5-91	DWN L. CASTAGNA 3-27-91	 STE TE Connectivity	
DIMENSIONS: mm [INCHES]	TOLERANCES UNLESS OTHERWISE SPECIFIED:	APVD L. CASTAGNA 3-27-91	NAME
0 PLC ± .01 1 PLC ± .01 2 PLC ± .01 3 PLC ± .01 4 PLC ± .01 ANGLES ± .01		PRODUCT SPEC	HDR ASSY, VERT, SINGLE ROW 2.54[.100] @ 0.64[.025] SQ POST. WITH PLZN & LATCHING, AMPMODU MTE
MATERIAL: HOUSING: FLAME RETARDANT LEAD: COPPER-BLACK CONTACTS: BRASS	FINISH: SEE TABLE	APPLICATION SPEC	RESTRICTED TO
CUSTOMER DRAWING		SCALE: 4:1	SIZE: A1 CAGE CODE: 00779 DRAWING NO: 103735 REV: W

X-ON Electronics

Largest Supplier of Electrical and Electronic Components

Click to view similar products for [Headers & Wire Housings](#) category:

Click to view products by [TE Connectivity](#) manufacturer:

Other Similar products are found below :

[95000-104TRLF](#) [10135584-644402LF](#) [DF62W-EP2022PCA](#) [95000-106TRLF](#) [DF62W-2022SCA](#) [DF62W-EP2022PC](#) [2203348](#) [DF62W-2022SC](#) [1084018](#) [1029039](#) [1084017](#) [802-10-012-10-002000](#) [1112640](#) [1112639](#) [000-34000](#) [0009482033](#) [0009507031](#) [57102-S06-03LF](#) [57202-S52-04LF](#) [PCN6-15S-2.5E](#) [0039019024](#) [58102-G61-06LF](#) [582553-1](#) [0009508121](#) [0050291907](#) [018731A](#) [LY20-4P-DT1-P1E-BR](#) [02.125.8002.8](#) [60101931](#) [60598-1 \(Cut Strip\)](#) [M1625-3R/100](#) [61062-3](#) [61082-181009](#) [636-1427](#) [638009-1](#) [641938-9](#) [641991-4](#) [644168-1](#) [647662-1](#) [65039-019ELF](#) [65817-002LF](#) [65817-015LF](#) [65863-015LF](#) [66207-023LF](#) [67016-026LF](#) [67046-001LF](#) [67095-007LF](#) [68002-116](#) [68016-236H](#) [68648-049](#)