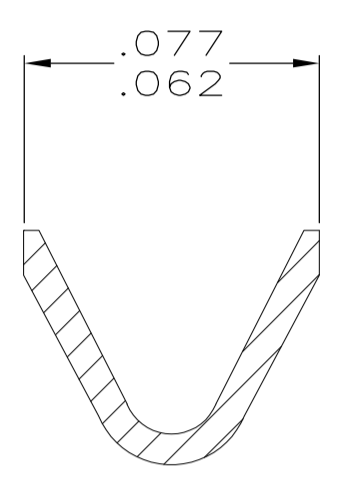
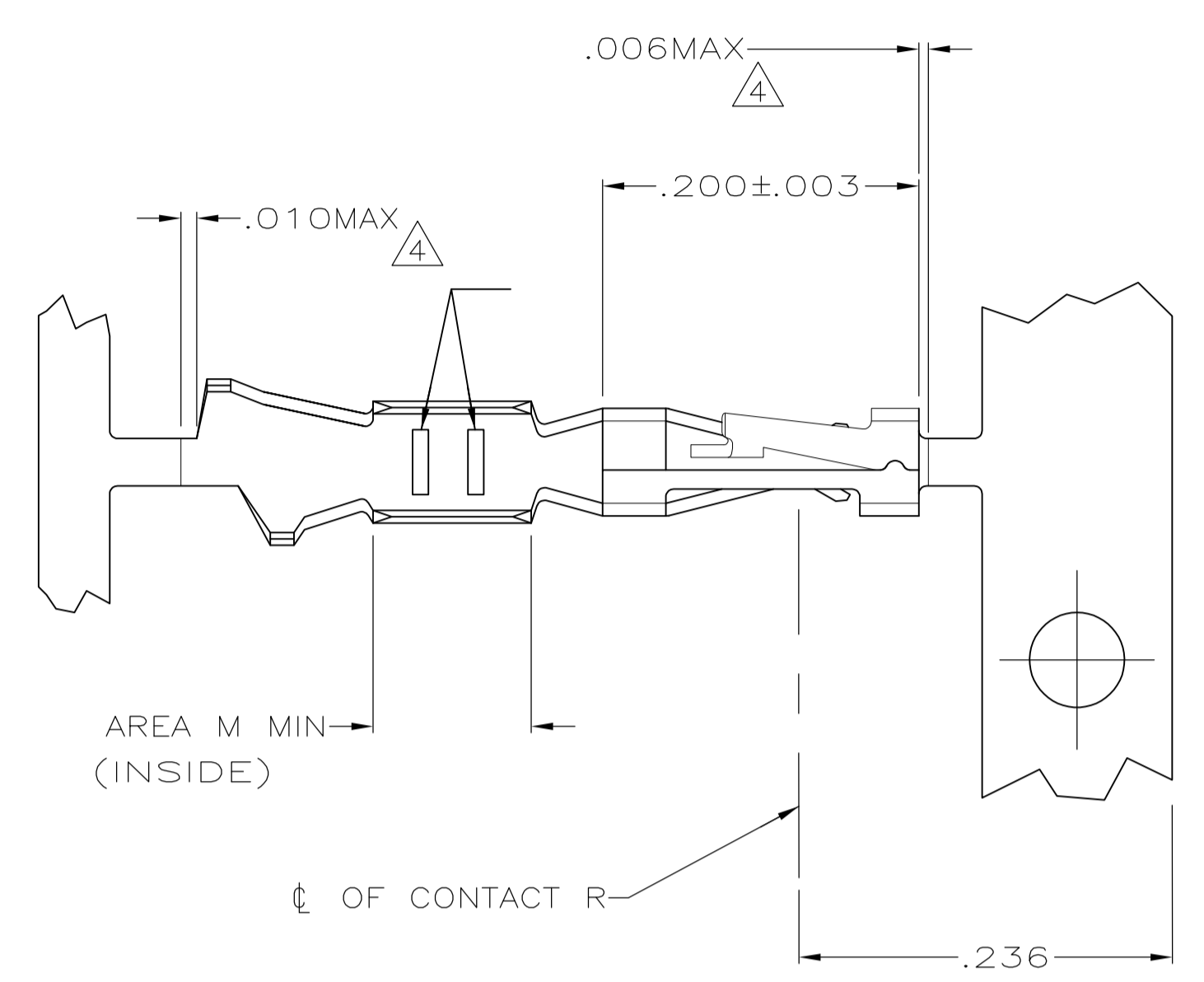
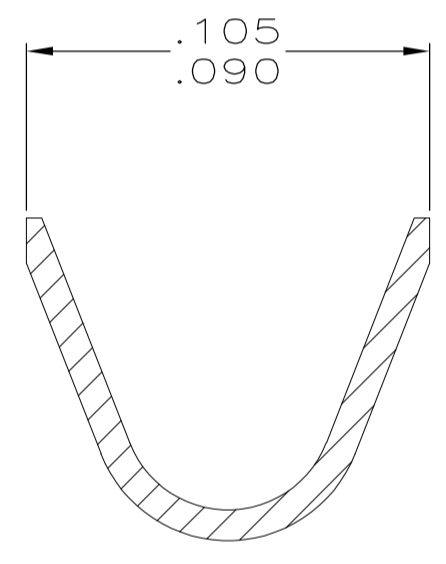
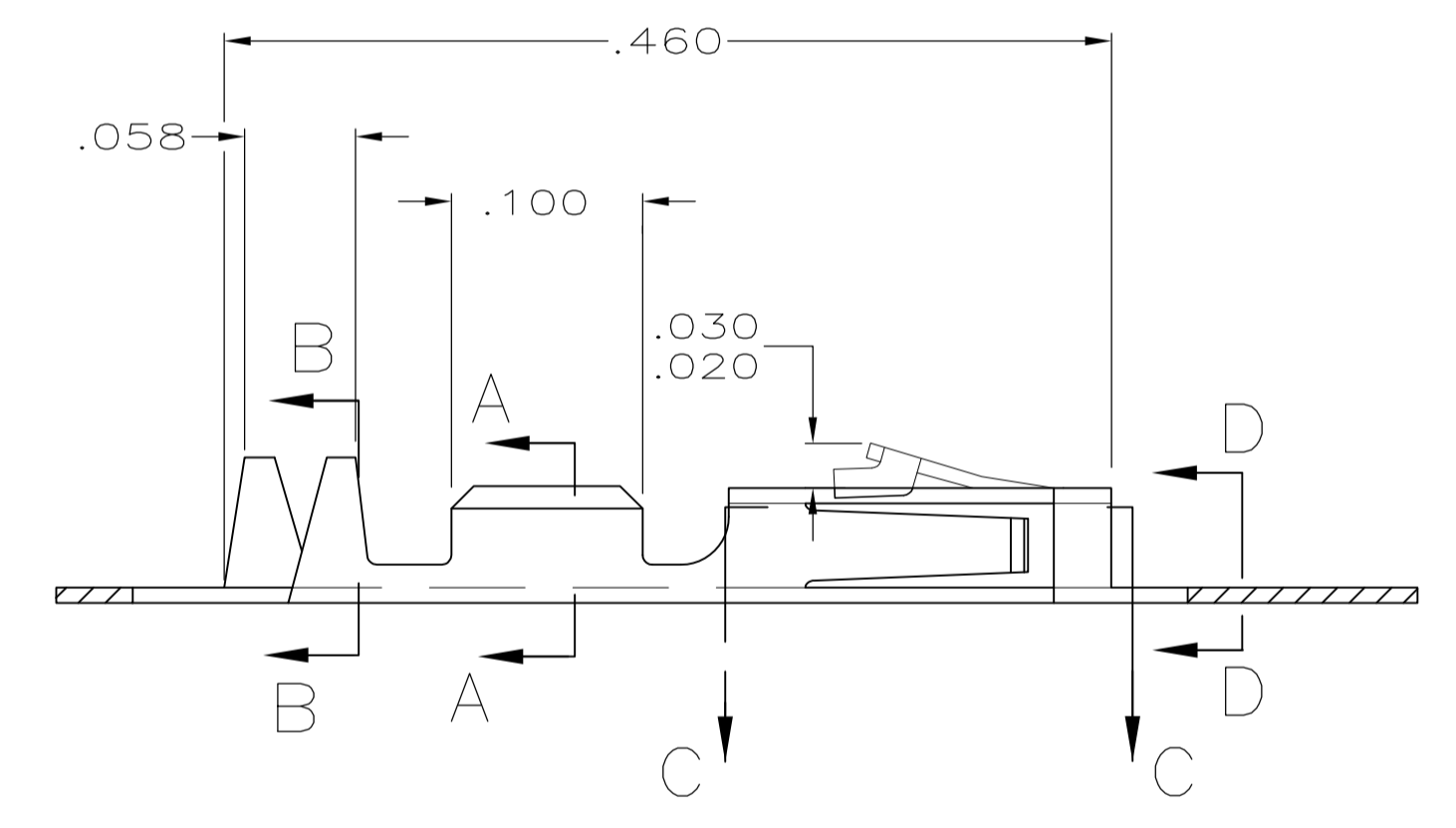


LOC		DIST		REVISIONS			
AD	39	REV	DATE	BY	CHK	APPV	
S1	REVISED PER ECO-11-004587		11MAR11	RK	HMR		

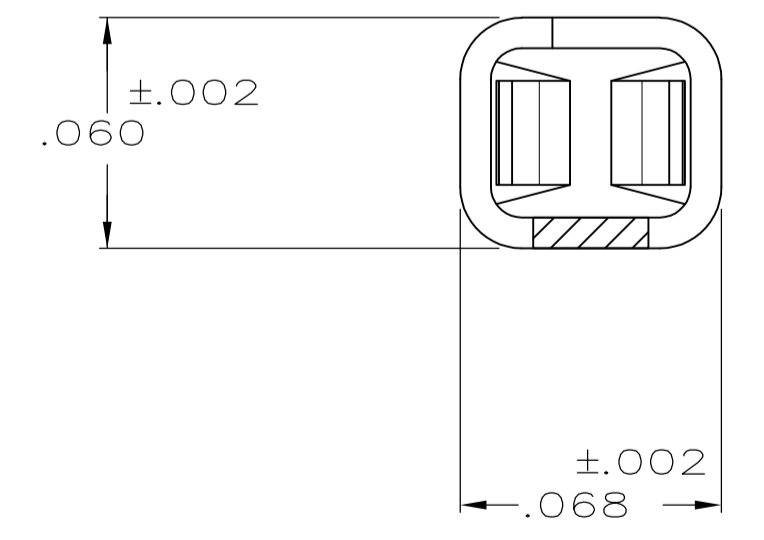
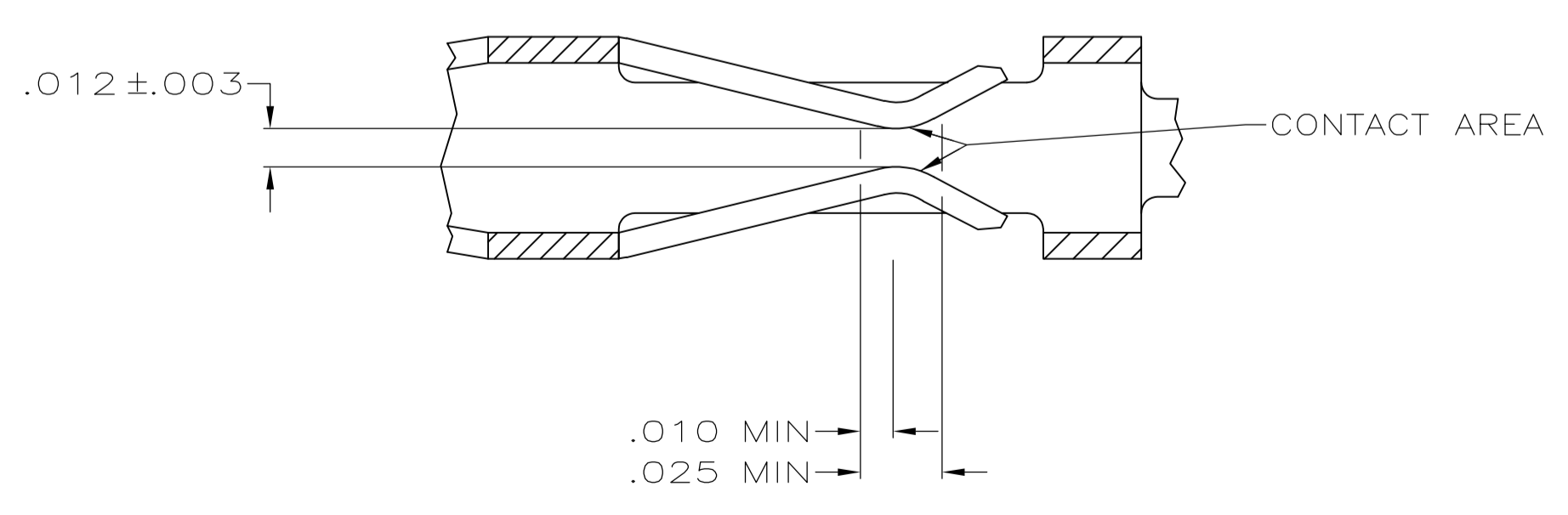
- ① .000100 MIN BRIGHT TIN-LEAD OVER .000050 MIN NICKEL ON ENTIRE CONTACT
- ② .000050 MIN NICKEL ON ENTIRE CONTACT; .000015 MIN GOLD ON CONTACT AREA; .000050 MIN BRIGHT TIN-LEAD ON AREA M.
- ③ .000050 MIN NICKEL ON ENTIRE CONTACT; .000030 MIN GOLD ON CONTACT AREA; .000050 MIN BRIGHT TIN-LEAD ON AREA M.
- ④ LOOSE PIECE CUT-OFF DIMENSION.
- ⑤ OBSOLETE PART NUMBER.
- ⑥ .000015 MIN GOLD ON CONTACT AREA, .000050 MIN TIN ON AREA M, ALL OVER .000050-.000100 NICKEL ON ENTIRE CONTACT.
- ⑦ .000030 MIN GOLD ON CONTACT AREA, .000050 MIN TIN ON AREA M, ALL OVER .000050-.000100 NICKEL ON ENTIRE CONTACT.
- ⑧ .000100-.000200 TIN OVER .000050 MIN NICKEL ON ENTIRE CONTACT.



SECTION A-A  
SCALE 20:1



SECTION B-B  
INSULATION RANGE .025-.060  
SCALE 20:1



SECTION D-D  
SCALE 20:1

SECTION C-C  
SCALE 20:1

REMARKS	FINISH	PART NO
STRIP	⑧	1-104480-7
LOOSE PIECE	⑦ REF	1-104480-6
LOOSE PIECE	⑥ REF	1-104480-5
LOOSE PIECE	⑧ REF	1-104480-4
STRIP	⑦	1-104480-3
STRIP	⑥	1-104480-2
LOOSE PIECE		1-104480-1
LOOSE PIECE		1-104480-0
LOOSE PIECE	③ REF	104480-9
LOOSE PIECE	② REF	104480-8
LOOSE PIECE	① REF	104480-7
STRIP		104480-6
STRIP		104480-5
STRIP	③	104480-4
STRIP	②	104480-3
STRIP	①	104480-2

THIS DRAWING IS A CONTROLLED DOCUMENT.

DIMENSIONS: INCHES	TOLERANCES UNLESS OTHERWISE SPECIFIED:	DWG: C. OBERMAN 5-10-89	CHK: K. HELM 5-12-89	APPROV: R. ELICKER 5-12-89	NAME: R. ELICKER
0 PLC ± -	1 PLC ± -	2 PLC ± -	3 PLC ± .005	4 PLC ± -	ANGLES ± -
MATERIAL: PHOSPHOR BRONZE	FINISH: SEE TABLE	WEIGHT: -	SIZE: A1	CAGE CODE: 00779	DRAWING NO: 104480
CUSTOMER DRAWING		SCALE: 10:1	SHEET: 1 OF 1	REV: S1	RESTRICTED TO: -

STE TE Connectivity  
CONTACT, CRIMP SNAP-IN  
AMPMODU SHORT POINT, 22-26 AWG  
PRODUCT SPEC: 108-1472  
APPLICATION SPEC: 114-25038

## X-ON Electronics

Largest Supplier of Electrical and Electronic Components

*Click to view similar products for [Headers & Wire Housings](#) category:*

*Click to view products by [TE Connectivity](#) manufacturer:*

Other Similar products are found below :

[892-18-020-10-001101](#) [58102-G61-06LF](#) [582553-1](#) [0009485154](#) [009176003701906](#) [0050291907](#) [LY20-4P-DT1-P1E-BR](#) [02.125.8002.8](#)  
[609-3404](#) [61062-3](#) [61082-181009](#) [622-3653LF](#) [63453-116](#) [636-1030](#) [636-1427](#) [636-3427](#) [636-4007](#) [641938-9](#) [641991-4](#) [644827-2](#) [65817-010LF](#) [65817-015LF](#) [65863-015LF](#) [66207-023LF](#) [67095-007LF](#) [67601157](#) [68645-018](#) [68648-049](#) [70.362.1628.0](#) [70-4210](#) [70-4226B](#) [70-4853B](#) [707-5020](#) [707-5028](#) [71.350.2428.0](#) [71918-208LF](#) [71961-016LF](#) [733-134](#) [733-162](#) [754199-000](#) [760-3052](#) [787-8014-00](#) [79531-3000](#)  
[FCN-360C032-B](#) [FCN-367T-T012/H](#) [FCN-723D010/2](#) [80.063.4001.1](#) [800-90-001-10-001000](#) [800-90-010-10-002000](#) [801-43-002-10-013000](#)