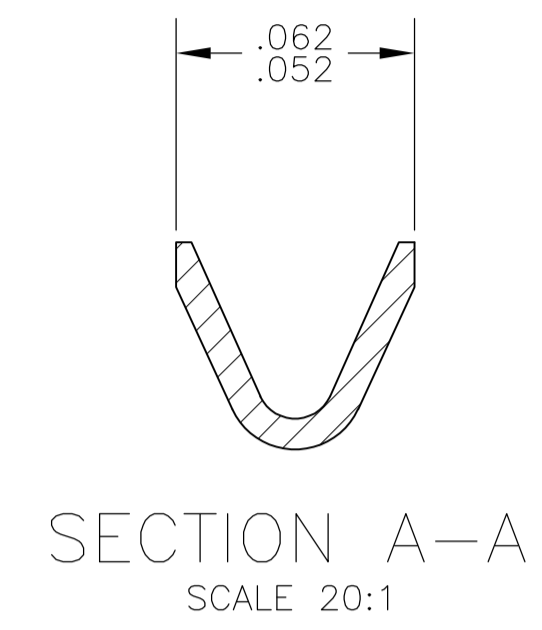
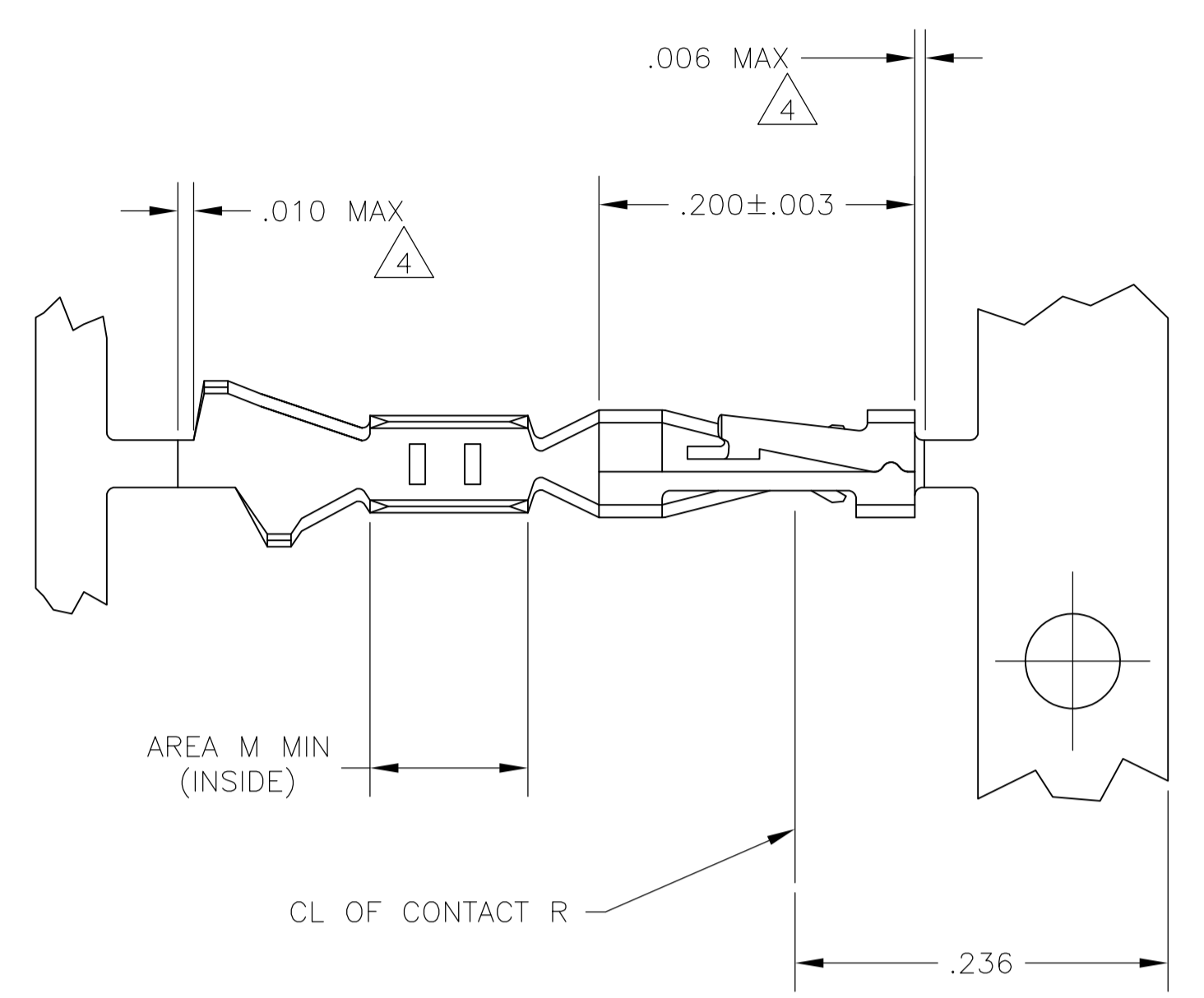
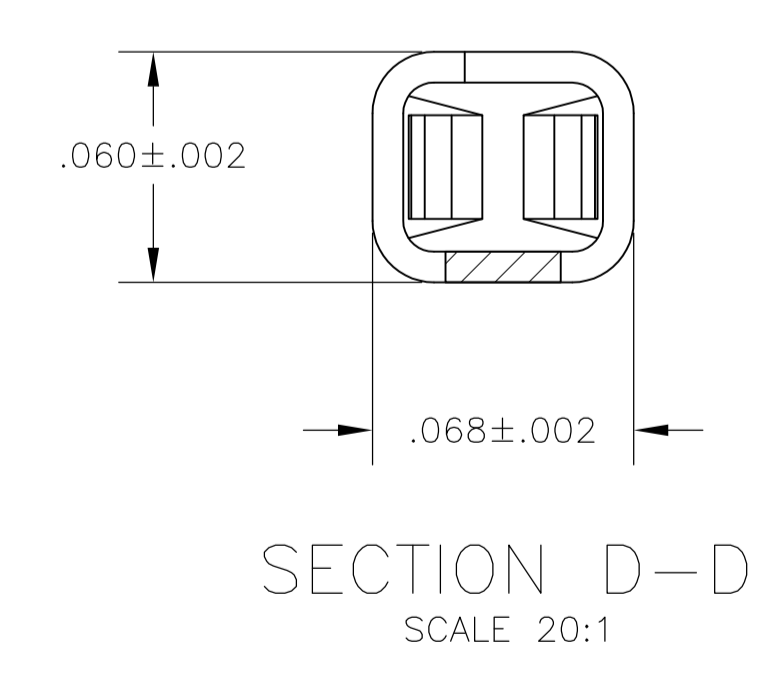
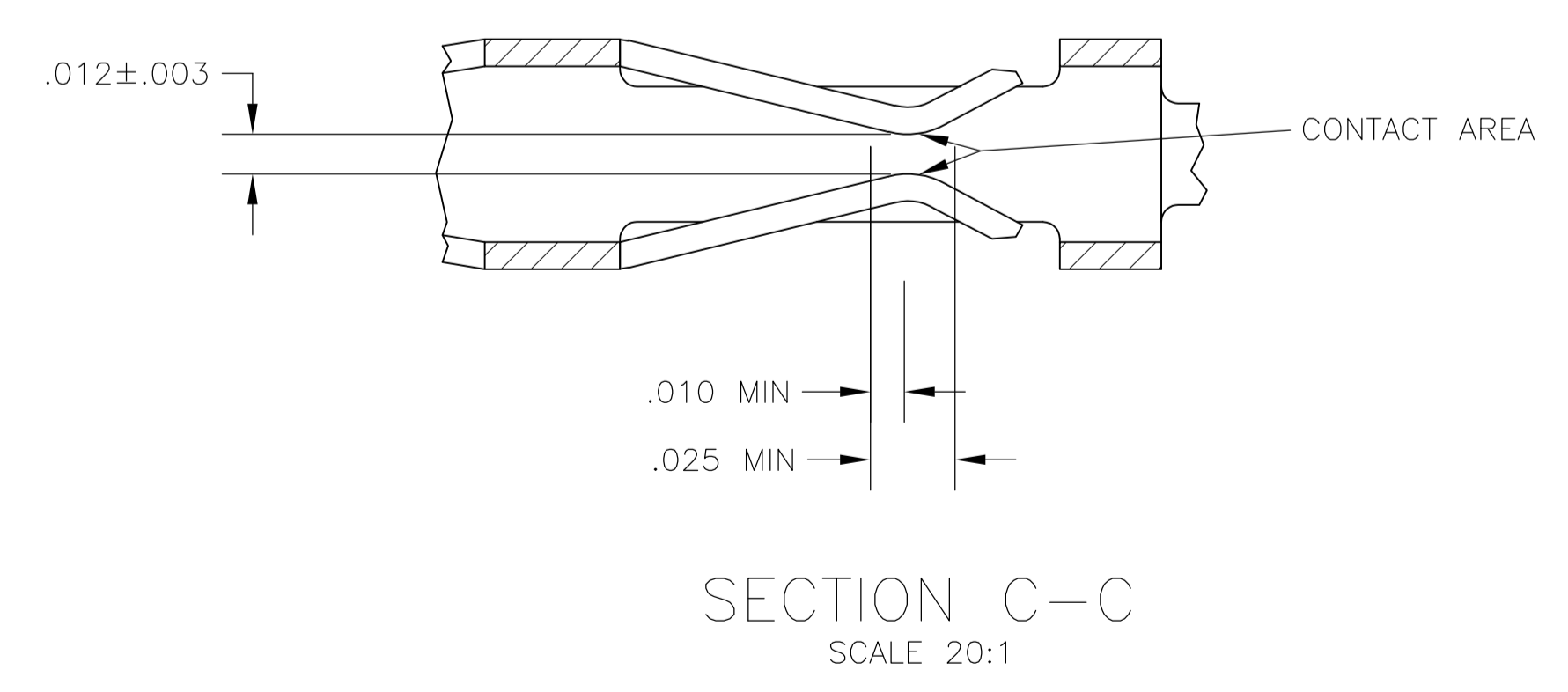
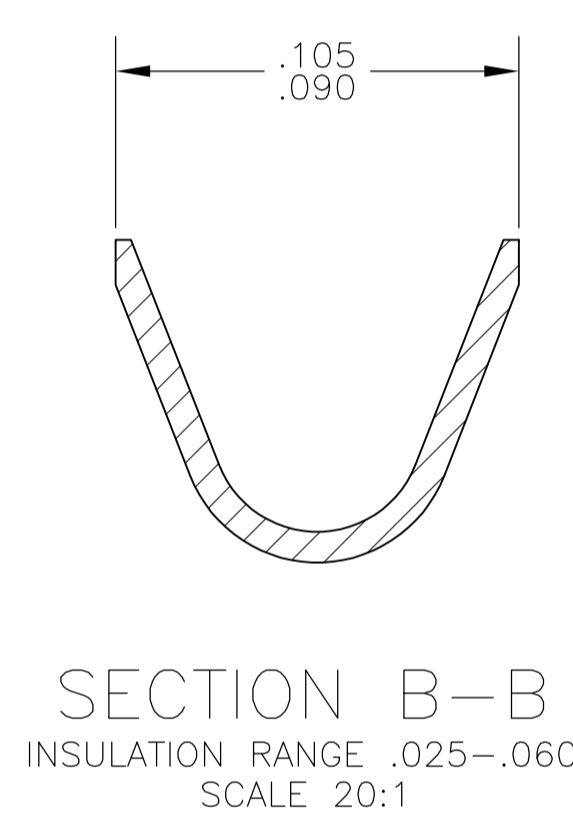
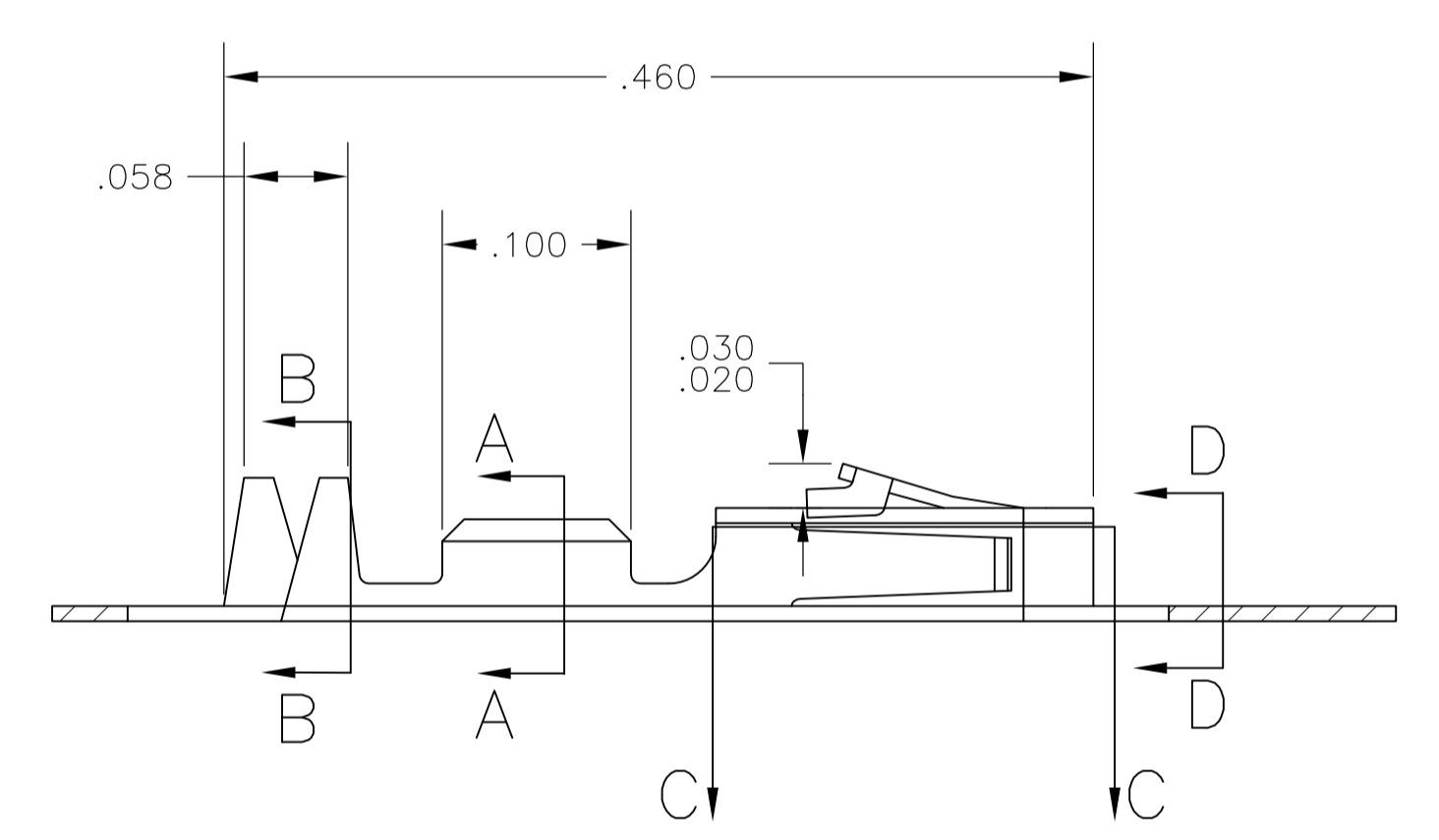


| LOC | | DIST | | REVISIONS | | | |
|-----|----|-------------|---------------|-------------|---------|-----|------|
| AD | 00 | REV | DATE | DESCRIPTION | DATE | DWN | APVD |
| N1 | | REVISED PER | ECO-11-004587 | | 11MAR11 | RK | HMR |



- 1 .000100 MIN BRIGHT TIN-LEAD OVER .000050 MIN NICKEL ON ENTIRE CONTACT
- 2 .000050 MIN NICKEL ON ENTIRE CONTACT; .000015 MIN GOLD ON CONTACT AREA; .000050 MIN BRIGHT TIN-LEAD ON AREA M.
- 3 .000050 MIN NICKEL ON ENTIRE CONTACT; .000030 MIN GOLD ON CONTACT AREA; .000050 MIN BRIGHT TIN-LEAD ON AREA M.
- 4 LOOSE PIECE CUT-OFF DIMENSION.
- 5 .000015 MIN GOLD ON CONTACT AREA, .000050 MIN TIN ON AREA M, ALL OVER .000050 MIN NICKEL ON ENTIRE CONTACT.
- 6 .000030 MIN GOLD ON CONTACT AREA, .000050 MIN TIN ON AREA M, ALL OVER .000050 MIN NICKEL ON ENTIRE CONTACT.
- 8 .000100 MIN TIN OVER .000050 MIN NICKEL ON ENTIRE CONTACT



| REMARKS | FINISH | PART NO |
|-----------------------------------|--------|------------|
| LOOSE PIECE STRIP | 8 REF | 5-104481-6 |
| LOOSE PIECE STRIP | 6 REF | 5-104481-2 |
| LOOSE PIECE STRIP | 6 REF | 1-104481-3 |
| LOOSE PIECE STRIP | 5 REF | 1-104481-2 |
| LOOSE PIECE STRIP | 6 REF | 1-104481-1 |
| LOOSE PIECE STRIP | 5 REF | 1-104481-0 |
| OBSOLETE LOOSE PIECE STRIP | | 104481-9 |
| LOOSE PIECE STRIP | 3 REF | 104481-8 |
| LOOSE PIECE STRIP | 2 REF | 104481-7 |
| LOOSE PIECE STRIP | 1 REF | 104481-6 |
| OBSOLETE STRIP | | 104481-5 |
| STRIP | 3 | 104481-4 |
| STRIP | 2 | 104481-3 |
| STRIP | 1 | 104481-2 |

THIS DRAWING IS A CONTROLLED DOCUMENT.

| | | | | |
|--------------------|----------------------------------------|---------------------------|-----------------------|--------------------------|
| DIMENSIONS: INCHES | TOLERANCES UNLESS OTHERWISE SPECIFIED: | DWN: C. OBERMAN 5-10-89 | APVD: K. HELM 5-12-89 | NAME: R. ELICKER 5-12-89 |
| 0 PLC ± - | 1 PLC ± - | MATERIAL: PHOSPHOR BRONZE | | |
| 2 PLC ± - | 3 PLC ± .005 | FINISH: SEE TABLE | | |
| 4 PLC ± - | ANGLES ± ± - | WEIGHT: - | | |

STE TE Connectivity

CONTACT, CRIMP SNAP-IN
AMPMODU SHORT POINT, 28-32 AWG

SIZE: A1
CAGE CODE: 00779
DRAWING NO: 104481

CUSTOMER DRAWING SCALE: 10:1 SHEET: 1 OF 1 REV: N1

X-ON Electronics

Largest Supplier of Electrical and Electronic Components

Click to view similar products for [Headers & Wire Housings](#) category:

Click to view products by [TE Connectivity](#) manufacturer:

Other Similar products are found below :

[892-18-020-10-001101](#) [58102-G61-06LF](#) [582553-1](#) [0009485154](#) [009176003701906](#) [0050291907](#) [LY20-4P-DT1-P1E-BR](#) [02.125.8002.8](#)
[609-3404](#) [61062-3](#) [61082-181009](#) [622-3653LF](#) [63453-116](#) [636-1030](#) [636-1427](#) [636-3427](#) [636-4007](#) [641938-9](#) [641991-4](#) [644827-2](#) [65817-](#)
[010LF](#) [65817-015LF](#) [65863-015LF](#) [66207-023LF](#) [67095-007LF](#) [67601157](#) [68645-018](#) [68648-049](#) [70.362.1628.0](#) [70-4210](#) [70-4226B](#) [70-](#)
[4853B](#) [707-5020](#) [707-5028](#) [71.350.2428.0](#) [71918-208LF](#) [71961-016LF](#) [733-134](#) [733-162](#) [754199-000](#) [760-3052](#) [79531-3000](#) [FCN-](#)
[360C032-B](#) [FCN-367T-T012/H](#) [FCN-723D010/2](#) [80.063.4001.1](#) [800-90-010-10-002000](#) [801-43-002-10-013000](#) [801-43-006-10-002000](#)
[801-93-011-10-001000](#)