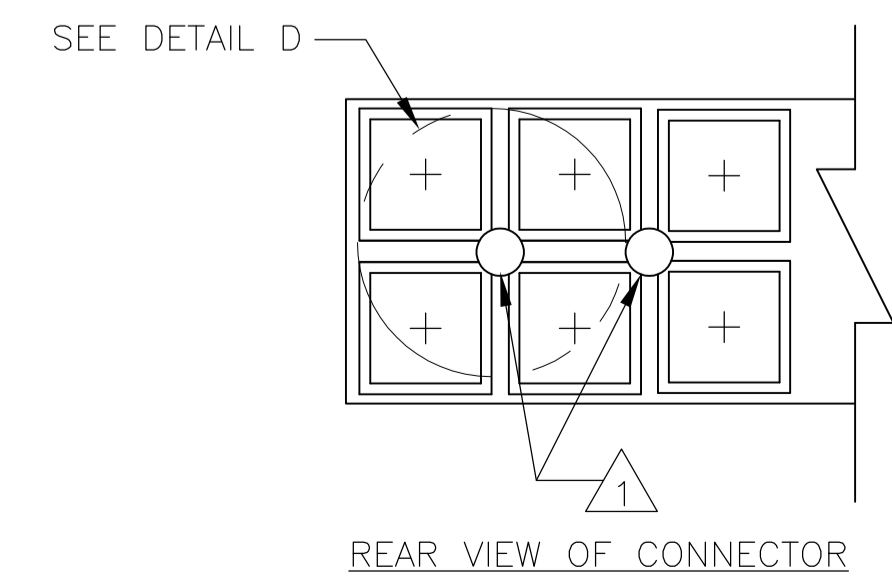


DETAIL D
SCALE 10:1



REAR VIEW OF CONNECTOR

1 EJECTOR FEATURES AT MOLDER'S DISCRETION (QUANTITY AND LOCATION).

2.598	25	52	2-104482-0
2.198	21	44	1-104482-9
1.998	19	40	1-104482-8
1.898	18	38	1-104482-7
1.798	17	36	1-104482-6
1.698	16	34	1-104482-5
1.598	15	32	1-104482-4
1.498	14	30	1-104482-3
1.398	13	28	1-104482-2
1.298	12	26	1-104482-1
1.098	10	22	1-104482-0
.998	9	20	104482-9
.898	8	18	104482-8
.798	7	16	104482-7
.698	6	14	104482-6
.598	5	12	104482-5
.498	4	10	104482-4
.398	3	8	104482-3
.298	2	6	104482-2
.198	1	4	104482-1

A	NO OF SP	NO OF POSN	PART NUMBER
---	----------	------------	-------------

THIS DRAWING IS A CONTROLLED DOCUMENT.

DIMENSIONS: INCHES	TOLERANCES UNLESS OTHERWISE SPECIFIED:	0 PLC ± -	1 PLC ± -	2 PLC ± -	3 PLC ± -	4 PLC ± -	ANGLES ± -
MATERIAL: FLAME RETARDANT THERMOPLASTIC COLOR: BLACK		FINISH: -		WEIGHT: -		SIZE: A1	

Customer Drawing

Scale: 8:1, Sheet: 1 of 1, Rev: D

APPROVED: SCOTT A. SHUEY (17MAY99), H. MOLL (18MAY99), R. FLICKER (18MAY99)

NAME: RCPT HSG, DBL ROW, .100x.100 CL, SHORT PT, AMPMODU

STE TE Connectivity

X-ON Electronics

Largest Supplier of Electrical and Electronic Components

Click to view similar products for [Headers & Wire Housings](#) category:

Click to view products by [TE Connectivity](#) manufacturer:

Other Similar products are found below :

[892-18-020-10-001101](#) [58102-G61-06LF](#) [582553-1](#) [0009485154](#) [009176003701906](#) [0050291907](#) [LY20-4P-DT1-P1E-BR](#) [02.125.8002.8](#)
[609-3404](#) [61062-3](#) [61082-181009](#) [622-3653LF](#) [63453-116](#) [636-1030](#) [636-1427](#) [636-3427](#) [636-4007](#) [641938-9](#) [641991-4](#) [644827-2](#) [65817-](#)
[010LF](#) [65817-015LF](#) [65863-015LF](#) [66207-023LF](#) [67095-007LF](#) [67601157](#) [68645-018](#) [68648-049](#) [70.362.1628.0](#) [70-4210](#) [70-4226B](#) [70-](#)
[4853B](#) [707-5020](#) [707-5028](#) [71.350.2428.0](#) [71918-208LF](#) [71961-016LF](#) [733-134](#) [733-162](#) [754199-000](#) [760-3052](#) [787-8014-00](#) [79531-3000](#)
[FCN-360C032-B](#) [FCN-367T-T012/H](#) [FCN-723D010/2](#) [80.063.4001.1](#) [800-90-001-10-001000](#) [800-90-010-10-002000](#) [801-43-002-10-013000](#)