

THIS DRAWING IS UNPUBLISHED.

RELEASED FOR PUBLICATION

1997

© COPYRIGHT 1997 BY -

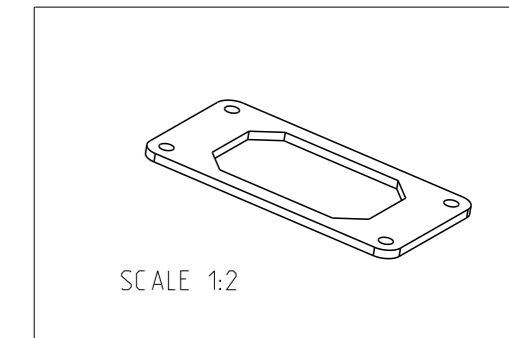
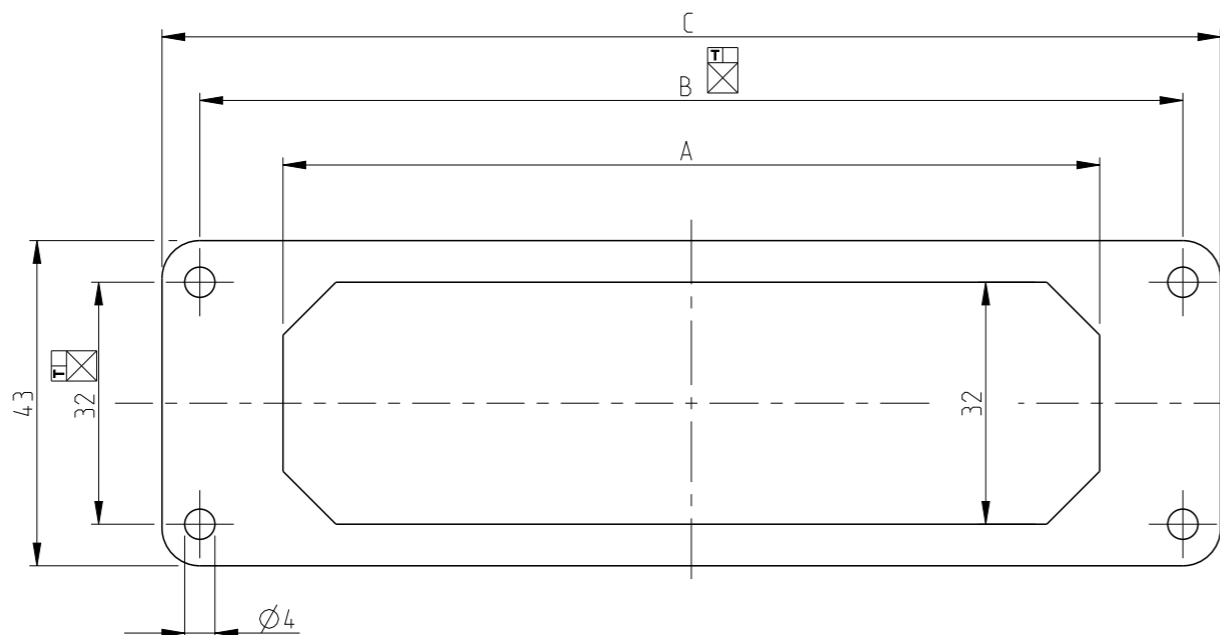
ALL RIGHTS RESERVED.

REVISIONS

P	LTR	DESCRIPTION	DATE	DWN	APVD
	B7	Released as per ECR-08-025177	07.Oct.2008	GG	TS
	B8	REVISED PER ECR-17-014013	05JAN2018	SRG	MKO

NOTES

1. PACKAGING 50 PIECES IN A BOX



OBSELETE	OBSELETE	OBSELETE	OBSELETE																	
1																				
	1																			
		1																		
			1																	
				1																
					1															
						1														
							1													
								1												
1-3	1-2	1-1	1-0	0-9	0-4	0-3	0-2	0-1												
DESCRIPTION	MATERIAL		COLOR	POS	NOTES					A	B	C								
Flange gasket HB.24	Neoprene		Black	9	2.0 mm Thick					108	130	140								
Flange gasket HB.24	Viton compound		Black	8	3.0 mm Thick					108	130	140								
Flange gasket HB.16	Viton compound		Black	7	3.0 mm Thick					81	103	113								
Flange gasket HB.10	Viton compound		Black	6	3.0 mm Thick					63	83	93								
Flange gasket HB.6	Viton compound		Black	5	3.0 mm Thick					50	70	80								
Flange gasket HB.24	Cell India rubber"B"		Black	4	2.5 mm Thick,on one side self adhesive					108	130	140								
Flange gasket HB.16	Cell India rubber"B"		Black	3	2.5 mm Thick,on one side self adhesive					81	103	113								
Flange gasket HB.10	Cell India rubber"B"		Black	2	2.5 mm Thick,on one side self adhesive					63	83	93								
Flange gasket HB.6	Cell India rubber"B"		Black	1	2.5 mm Thick,on one side self adhesive					50	70	80								
HB.24.D-2mm	HB.24.D.V	HB.16.D.V	HB.10.D.V	HB.6.D.V	HB.24.D	HB.16.D	HB.10.D	HB.6.D												

THIS DRAWING IS A CONTROLLED DOCUMENT.

DWN Schneider 11.01.1999

CHK Schweiger 11.01.1999

APVD -

PRODUCT SPEC -

APPLICATION SPEC -

WEIGHT -

CUSTOMER DRAWING



TE Connectivity

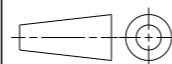
NAME Flange mounted seal HB 6-24

SIZE A3 CAGE CODE 00779 DRAWING NO C-1106352 RESTRICTED TO -

SCALE 1:2 SHEET 1 OF 1 REV B8

DIMENSIONS:

mm



TOLERANCES UNLESS OTHERWISE SPECIFIED:

0 PLC ±

1 PLC ±

2 PLC ±

3 PLC ±

4 PLC ±

ANGLES ±

MATERIAL material_2

FINISH finish_spec_2

X-ON Electronics

Largest Supplier of Electrical and Electronic Components

Click to view similar products for [Heavy Duty Power Connectors](#) category:

Click to view products by [TE Connectivity](#) manufacturer:

Other Similar products are found below :

[647757-1](#) [6643411-1](#) [6646058-2](#) [6646137-1](#) [6646138-1](#) [6646479-1](#) [6646608-1](#) [6646786-1](#) [6646940-1](#) [6651091-1](#) [6651525-1](#) [6651529-1](#)
[6651788-1](#) [696475-1](#) [702-32-01109](#) [703-25-02205](#) [73000005059](#) [73000005642](#) [73080255059](#) [73080965046](#) [765-15-0080A](#) [765-16-0080B](#)
[765-18-0080D](#) [829992-1](#) [902-77-02113](#) [PS00/A0620/6300](#) [PS25/A0420/63](#) [129-1J](#) [1409400](#) [AN0024023](#) [E6374G1](#) [e6389g2](#) [157-43GW8](#)
[MS3117-14AC](#) [1643543-1](#) [1650540-1](#) [1651811-2](#) [1766260-1](#) [1766282-1](#) [1766966-1](#) [1791340000](#) [NLDFT-3-BL-L-S120-M40A](#) [NLDFT-N-](#)
[W-L-C240-M40B](#) [NLS-2-R-C240-M40B](#) [NLS-N-W-C240-M40B](#) [NPS-3-BL-T6](#) [1986615-1](#) [2-1589900-8](#) [2199314-1](#) [KA8102](#)