

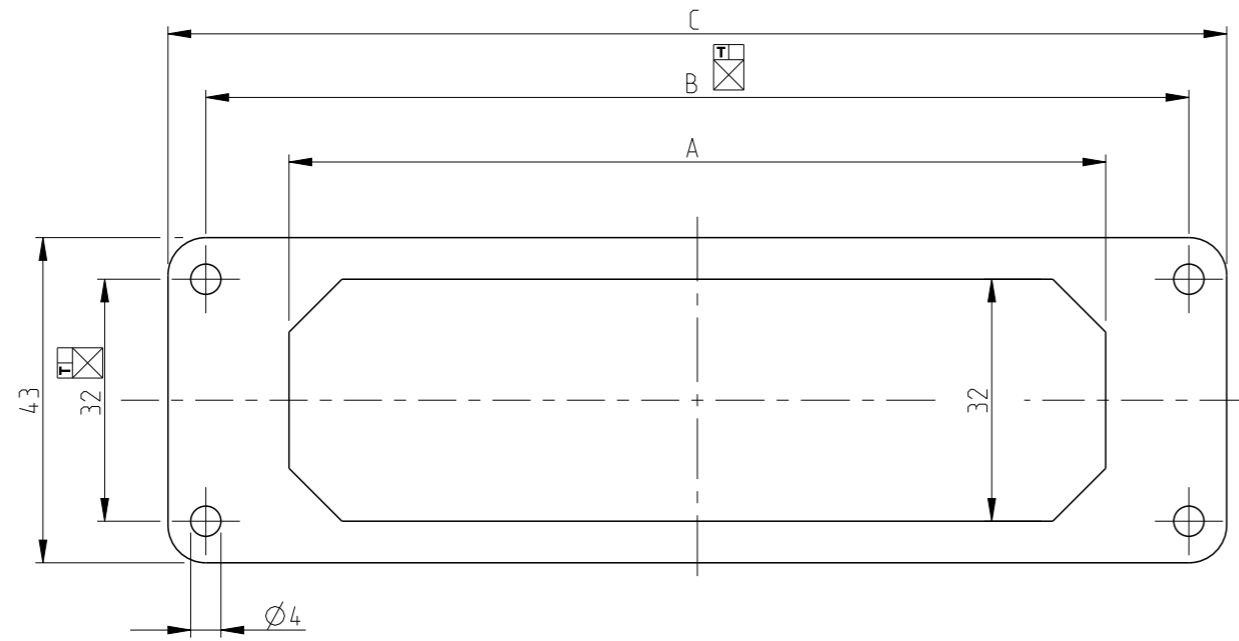
4

3

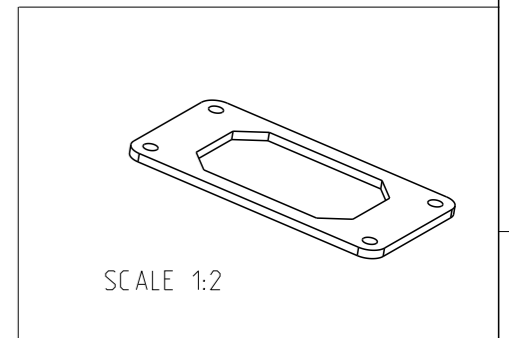
2

1

REVISIONS					
P	LTR	DESCRIPTION	DATE	DWN	APVD
	B7	Released as per ECR-08-025177	07.Oct.2008	GG	TS
	B8	REVISED PER ECR-17-014013	05JAN2018	SRG	MKO



NOTES  
 1. PACKAGING 50 PIECES IN A BOX



OBsolete	OBsolete	OBsolete	OBsolete	1	2												
1										Flange gasket HB.24	Neoprene	Black	9	2.0 mm Thick	108	130	140
	1									Flange gasket HB.24	Viton compound	Black	8	3.0 mm Thick	108	130	140
		1								Flange gasket HB.16	Viton compound	Black	7	3.0 mm Thick	81	103	113
			1							Flange gasket HB.10	Viton compound	Black	6	3.0 mm Thick	63	83	93
				1						Flange gasket HB.6	Viton compound	Black	5	3.0 mm Thick	50	70	80
					1					Flange gasket HB.24	Cell India rubber"B"	Black	4	2.5 mm Thick,on one side self adhesive	108	130	140
						1				Flange gasket HB.16	Cell India rubber"B"	Black	3	2.5 mm Thick,on one side self adhesive	81	103	113
							1			Flange gasket HB.10	Cell India rubber"B"	Black	2	2.5 mm Thick,on one side self adhesive	63	83	93
								1		Flange gasket HB.6	Cell India rubber"B"	Black	1	2.5 mm Thick,on one side self adhesive	50	70	80
1-3	1-2	1-1	1-0	0-9	0-4	0-3	0-2	0-1		DESCRIPTION	MATERIAL	COLOR	POS	NOTES	A	B	C
HB.24.D-2mm	HB.24.D.V	HB.16.D.V	HB.10.D.V	HB.6.D.V	HB.24.D	HB.16.D	HB.10.D	HB.6.D									

THIS DRAWING IS A CONTROLLED DOCUMENT.

DWN Schneider 11.01.1999  
 CHK Schweiger 11.01.1999  
 APVD -  
 PRODUCT SPEC -  
 APPLICATION SPEC -  
 WEIGHT -

**STE** TE Connectivity

NAME: Flange mounted seal HB 6-24

SIZE: A3 CAGE CODE: 00779 DRAWING NO: C-1106352 RESTRICTED TO: -

CUSTOMER DRAWING SCALE: 1:2 SHEET: 1 OF 1 REV: B8

DIMENSIONS: mm TOLERANCES UNLESS OTHERWISE SPECIFIED:  
 0 PLC ±  
 1 PLC ±  
 2 PLC ±  
 3 PLC ±  
 4 PLC ±  
 ANGLES ±

MATERIAL: material\_2 FINISH: finish\_spec\_2

## X-ON Electronics

Largest Supplier of Electrical and Electronic Components

*Click to view similar products for [Heavy Duty Power Connectors](#) category:*

*Click to view products by [TE Connectivity](#) manufacturer:*

Other Similar products are found below :

[1424439](#) [1424438](#) [09330062652](#) [2-8675P1](#) [580129-2](#) [605601-1](#) [6340G1](#) [6341G1](#) [6360G1](#) [6373G1](#) [6374g2](#) [6396G1](#) [647757-1](#) [66394-4](#)  
[6643411-1](#) [6646058-2](#) [6646137-1](#) [6646138-1](#) [6646348-1](#) [6646479-1](#) [6646608-1](#) [6646786-1](#) [6646940-1](#) [6651091-1](#) [6651525-1](#) [6651529-1](#)  
[6651778-1](#) [6651788-1](#) [696465-1](#) [696475-1](#) [73000005059](#) [73000005349](#) [73000005642](#) [73080255059](#) [73080965046](#) [765-15-0080A](#)  
[765-16-0080B](#) [789.700-44](#) [789.700-54](#) [80-1010](#) [80-9](#) [827381-1](#) [829992-1](#) [902-77-02113](#) [PL00U-301-10D10](#) [PM103MOOLOO](#)  
[PM16S1620S32-50](#) [PM212MOOLOO](#) [PM309FOOLOO](#) [PM324FOOLCH](#)