

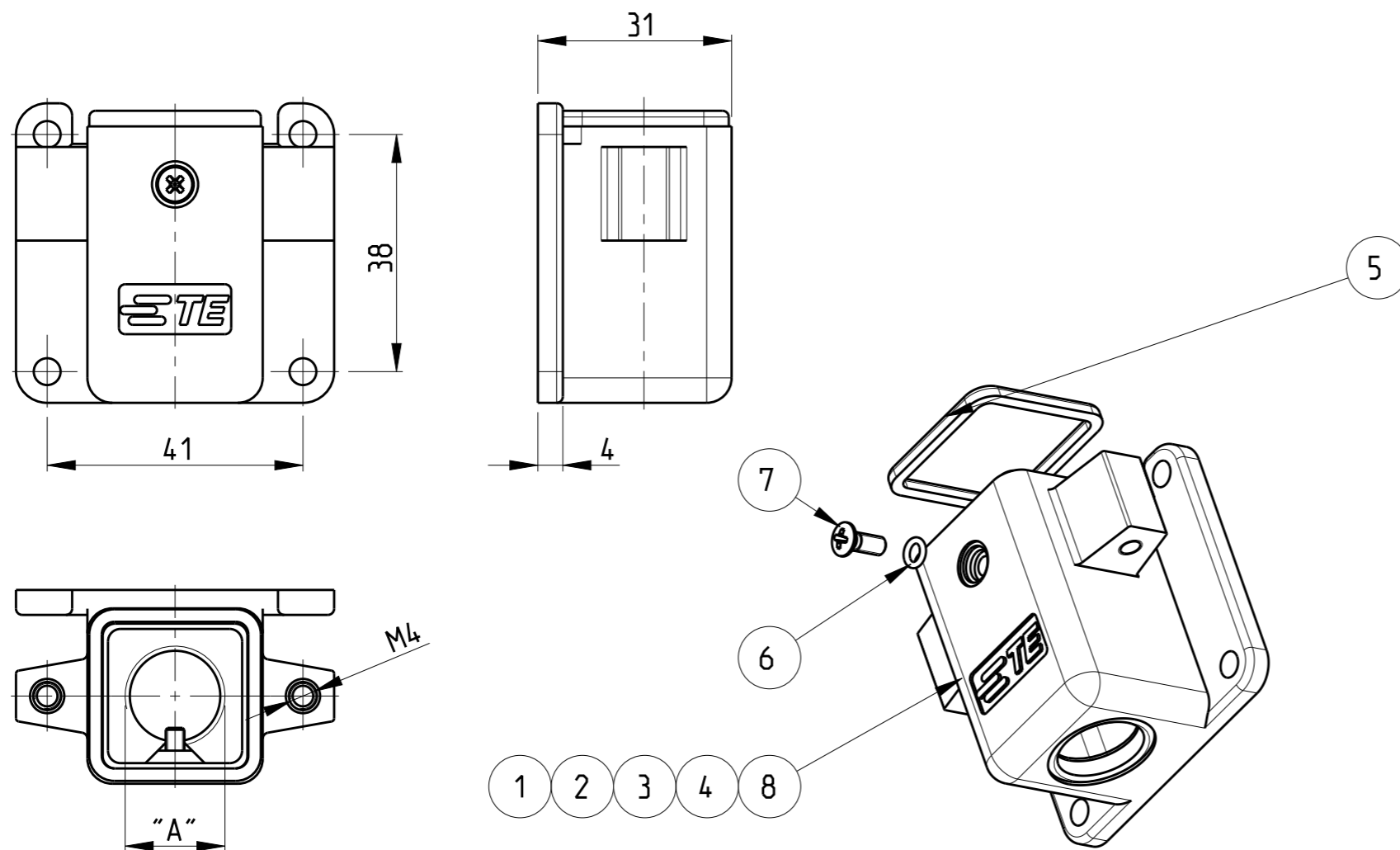
THIS DRAWING IS UNPUBLISHED. RELEASED FOR PUBLICATION 2009  
 © COPYRIGHT 2009 BY - ALL RIGHTS RESERVED.

REVISIONS

P	LTR	DESCRIPTION	DATE	DWN	APVD
A5		ECR-09-023155	22OCT2009	VG	AR
A6		ECR-10-009777	17MAY2010	SR	AR
B		ECR-16-001983	20MAY2016	GCM	JB
C		ECR-16-014579	10MAY2017	GCM	JB

Notes

- 1 SUITABLE HOUSINGS: SERIES EMV, SIZE 1  
CUSTOMER DRAWING 1102700, 1106402, 1106200
- 2 STANDARDS:  
DIN EN 61984, DIN EN 60664-1
- 3 SUR TEC 650 CHROMIT AL TCP PASSIVATION
- 4 TOOL:  
PHILLIPS SCREWDRIVER PH1.
- 5 VARNISH ON INSIDE AREA NOT NECESSARY
- 6 PACKAGING:  
10 SETS IN A CARTON.



PN 0-1 AS SHOWN

PN/QTY	DESCRIPTION	"A"	MATERIAL	COLOR/SURFACE	NOTE	ITEM
1	ANGLED BULKHEAD HOUSING		ALU	BLACK	SERIES EMV-K WITHOUT LOGO	8
1 1 1 1 1	SCREW COUNTERSUNK RAISED HEAD	-	STAINL. STEEL V2A	-	M3x8 PH1 DIN EN ISO 7047	7
1 1 1 1 1	O - RING	-	NBR	BLACK	3.0x1.0	6
1 1 1 1 1	PROGFILE SEAL	-	FKM	BLACK	SERIES EMV / HIP	5
- 1 - -	ANGLED BULKHEAD HOUSING	M20	ALU	BLACK SEE NOTE 3	SERIES EMV-K	4
1 - - -	ANGLED BULKHEAD HOUSING	M20	ALU	GREY	SERIES EMV-K	3
- - 1 -	ANGLED BULKHEAD HOUSING	M16	ALU	BLACK SEE NOTE 3	SERIES EMV-K	2
- - - 1	ANGLED BULKHEAD HOUSING	M16	ALU	GREY	SERIES EMV	1

PARTS LIST (PER ONE UNIT)

0-5	EMV-K.3/4.SG-N
0-4	EMV.3/4.SG.1.M20.G
0-3	EMV-K.3/4.SG.1.M20.G
0-2	EMV-K.3/4.SG.1.M16.G
0-1	EMV.3/4.SG.1.M16.G
PART NO.	ORDERING TEXT

THIS DRAWING IS A CONTROLLED DOCUMENT.		DWN V.GLUMM 26AUG2009	TE Connectivity <b>ANGLED BULKHEAD HOUSING ASS'Y          SIDE ENTRY, SERIES EMV, SIZE 1</b>	
DIMENSIONS: mm		CHK H.Braun 26AUG2009		
TOLERANCES UNLESS OTHERWISE SPECIFIED:		APVD T.Schnurpfeil 26AUG2009		
0 PLC ± 1 PLC ± 2 PLC ± 3 PLC ± 4 PLC ± ANGLES ±°		PRODUCT SPEC -		
MATERIAL -		FINISH -	APPLICATION SPEC -	RESTRICTED TO -
-		WEIGHT -	SIZE A3	CAGE CODE 00779
-		CUSTOMER DRAWING	DRAWING NO C-1106401	SCALE 1:1
-			SHEET 1 OF 1	REV C

## X-ON Electronics

Largest Supplier of Electrical and Electronic Components

*Click to view similar products for [Heavy Duty Power Connectors](#) category:*

*Click to view products by [TE Connectivity](#) manufacturer:*

Other Similar products are found below :

[647757-1](#) [6643411-1](#) [6646058-2](#) [6646137-1](#) [6646138-1](#) [6646479-1](#) [6646608-1](#) [6646786-1](#) [6646940-1](#) [6651091-1](#) [6651525-1](#) [6651529-1](#)  
[6651788-1](#) [696475-1](#) [702-32-01109](#) [703-25-02205](#) [73000005059](#) [73000005642](#) [73080255059](#) [73080965046](#) [765-15-0080A](#) [765-16-0080B](#)  
[765-18-0080D](#) [829992-1](#) [902-77-02113](#) [PS00/A0620/6300](#) [PS25/A0420/63](#) [129-1J](#) [1409400](#) [AN0024023](#) [E6374G1](#) [e6389g2](#) [157-43GW8](#)  
[MS3117-14AC](#) [1643543-1](#) [1650540-1](#) [1651811-2](#) [1766260-1](#) [1766282-1](#) [1766966-1](#) [1791340000](#) [NLDFT-3-BL-L-S120-M40A](#) [NLDFT-N-](#)  
[W-L-C240-M40B](#) [NLS-2-R-C240-M40B](#) [NLS-N-W-C240-M40B](#) [NPS-3-BL-T6](#) [1986615-1](#) [2-1589900-8](#) [2199314-1](#) [KA8102](#)