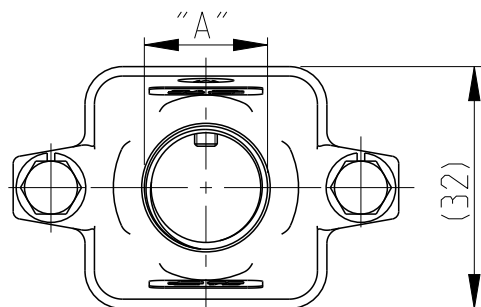
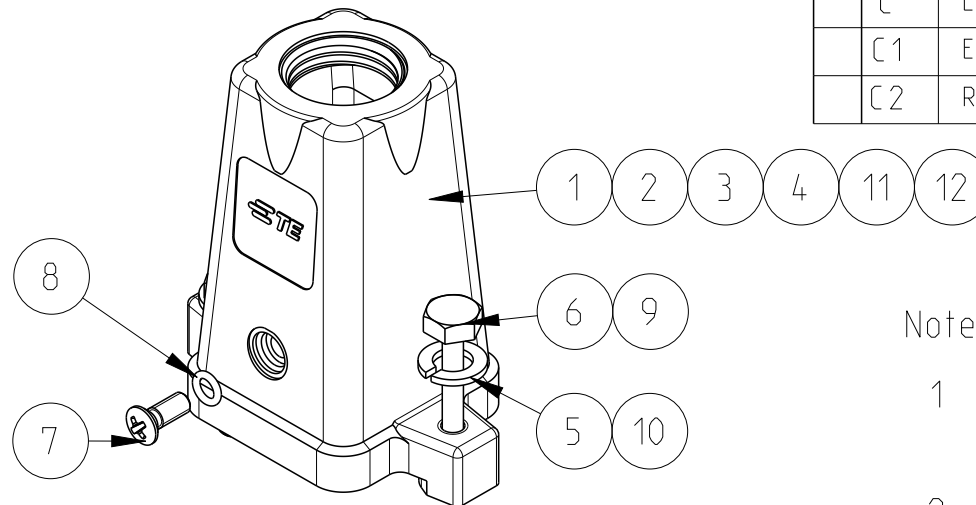
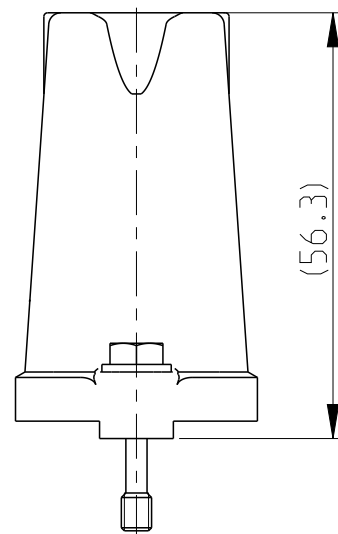
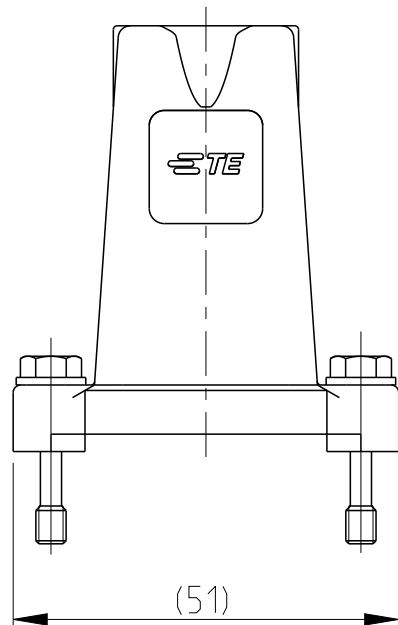


P	LTR	DESCRIPTION	DATE	DWN	APVD
B		ECR-16-001855	29FEB2016	GCM	JB
C		ECR-16-014579	26APR2017	GCM	JB
C1		ECR-17-010220	08AUG2017	GCM	JB
C2		REVISED PER ECR-17-014013	12FEB2018	SRG	MKO



PN 0-1 AS SHOWN

OBSELETE

PART NO.	ORDERING TEXT
0-1106402-8	EMV.3/4.STO.1.M20.G
0-1106402-7	EMV-K.3/4.ST-N
0-1106402-6	EMV-K.3/4.STO.1.M20.G
0-1106402-5	EMV-K.3/4.STO.1.M16.G
0-1106402-4	EMV.3/4.STO.1.M16.G
0-1106402-3	EMV-K.3/4.STO.1.M20.G
0-1106402-2	EMV-K.3/4.STO.1.M16.G
0-1106402-1	EMV.3/4.STO.1.M16.G

Notes

- 1 SUITABLE HOUSINGS: SERIES EMV, SIZE 1 CUSTOMER DRAWING 1102703; 1102702
- 2 STANDARDS: DIN EN 61984, DIN EN 60664-1
- 3 SURFACE: CHROMIT AL TCP PASSIVATION
- 4 TOOLS: PHILLIPS SCREWDRIVER PH1
HEXAGON SCREWDRIVER 7mm
- 5 VARNISH ON INSIDE AREA NOT NECESSARY
- 6 PACKAGING:
10 SETS IN A CARTON, PRE-MOUNTED

1	-	-	-	-	-	-	-	CONNECTOR HOUSING	M20	ALU ALLOY	GREY	SERIES EMV, SIZE 1, METRIC	12
-	1	-	-	-	-	-	-	CONNECTOR HOUSING		ALU ALLOY	BLACK	SERIES EMV-K.3/4.ST-N, SIZE 1, METRIC, W/O THREAD & LOGO	11
-	-	2	2	2	-	-	-	WASHER, PLAIN		STAINL. STEEL	BLANK	A4, DIN EN ISO 7089, 200HV (V4A)	10
-	-	2	2	2	-	-	-	SCREW, HEXAGON BOLT		STAINL. STEEL	BLANK	M4x22 DIN EN ISO 7964, REDUCED SHUNK (V4A)	9
1	1	1	1	1	1	1	1	O - RING		NBR	BLACK	3.0x1.0	8
1	1	1	1	1	1	1	1	SCREW COUNTERSUNK RAISED HEAD		STAINL. STEEL	V2A	M3x8 PH1 DIN EN ISO 7047	7
2	2	-	-	-	2	2	2	SCREW, HEXAGON BOLT		STAINL. STEEL	BLANK	M4x22 DIN EN ISO 7964, REDUCED SHUNK	6
2	2	-	-	-	2	2	2	WASHER, PLAIN		STAINL. STEEL	BLANK	A4, DIN EN ISO 7089, 200HV	5
-	-	1	-	-	-	-	-	CONNECTOR HOUSING	M20	ALU ALLOY	WHITE	SERIES EMV-K, SIZE 1, METRIC	4
-	-	-	-	-	1	-	-	CONNECTOR HOUSING	M20	ALU ALLOY	BLACK	SERIES EMV-K, SIZE 1, METRIC	3
-	-	-	1	-	-	1	-	CONNECTOR HOUSING	M16	ALU ALLOY	BLACK	SERIES EMV-K, SIZE 1, METRIC	2
-	-	-	-	1	-	-	1	CONNECTOR HOUSING	M16	ALU ALLOY	GREY	SERIES EMV, SIZE 1, METRIC	1
0-8	0-7	0-6	0-5	0-4	0-3	0-2	0-1	DESCRIPTION	"A"	MATERIAL	COLOR/SURFACE	NOTE	ITEM

PARTS LIST (PER ONE UNIT)

THIS DRAWING IS A CONTROLLED DOCUMENT.

DIMENSIONS:	TOLERANCES UNLESS OTHERWISE SPECIFIED:
mm	
	0 PLC ±
	1 PLC ±
	2 PLC ±
	3 PLC ±
	4 PLC ±
ANGLES	±1°
MATERIAL	FINISH
-	-

DWN	V.GLUMM	14AUG2009
CHK	H.Braun	14AUG2009
APVD	T.Schnurpfeil	14AUG2009
PRODUCT SPEC	-	-
APPLICATION SPEC	-	-
WEIGHT	-	-
CUSTOMER DRAWING		



CONNECTOR HOUSING ASS'Y, TOP ENTRY
SERIES EMV, SIZE 1, METRIC

SIZE	CAGE CODE	DRAWING NO	RESTRICTED TO
A3	00779	C=1106402	
SCALE	SHEET	REV	
5:1	1 OF 1	C2	

X-ON Electronics

Largest Supplier of Electrical and Electronic Components

Click to view similar products for [Heavy Duty Power Connectors](#) category:

Click to view products by [TE Connectivity](#) manufacturer:

Other Similar products are found below :

[1424439](#) [1424438](#) [09330062652](#) [605601-1](#) [6340G1](#) [6341G1](#) [6360G1](#) [6373G1](#) [6374g2](#) [6396G1](#) [647757-1](#) [6643411-1](#) [6646058-2](#) [6646137-1](#)
[6646138-1](#) [6646348-1](#) [6646479-1](#) [6646608-1](#) [6646786-1](#) [6646940-1](#) [6651525-1](#) [6651529-1](#) [6651778-1](#) [6651788-1](#) [696465-1](#) [696475-1](#)
[73000005059](#) [73000005349](#) [73000005642](#) [73080965046](#) [765-15-0080A](#) [765-16-0080B](#) [789.700-44](#) [789.700-54](#) [80-1010](#) [80-9](#) [827381-1](#)
[829992-1](#) [902-77-02113](#) [PL00U-301-10D10](#) [PM103MOOLOO](#) [PM212MOOLOO](#) [PM309FOOLOO](#) [PM324FOOLCH](#) [PMHPAF11S03](#)
[PMHPAF14S01](#) [PMHPAM14P05](#) [PMHPAS06](#) [PMHPBF14S01](#) [PP45PC12S](#)