

THIS DRAWING IS UNPUBLISHED.

RELEASED FOR PUBLICATION

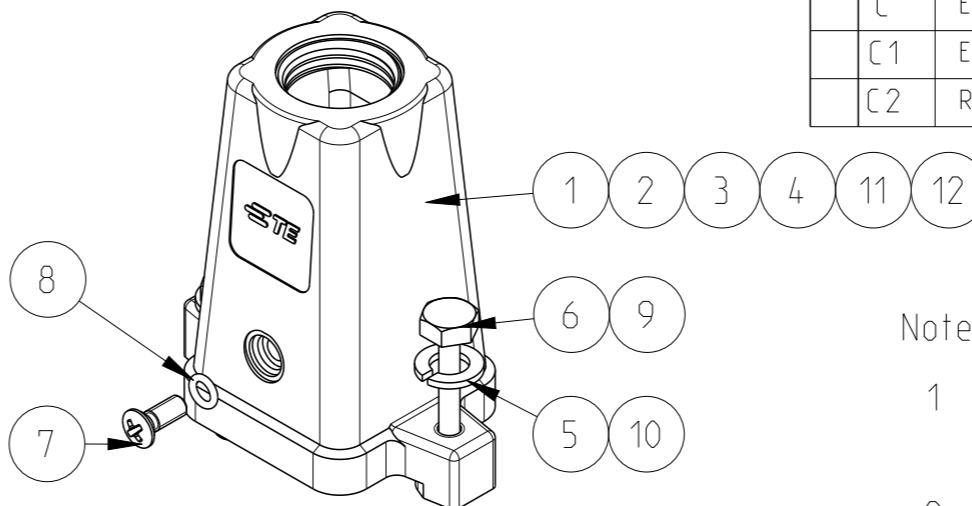
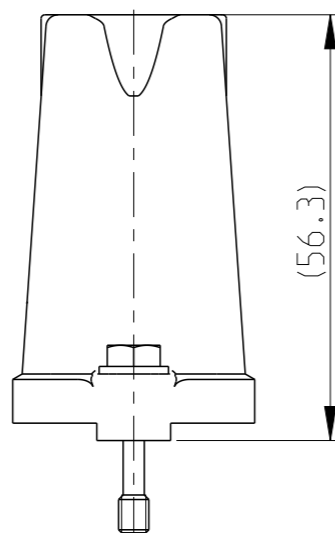
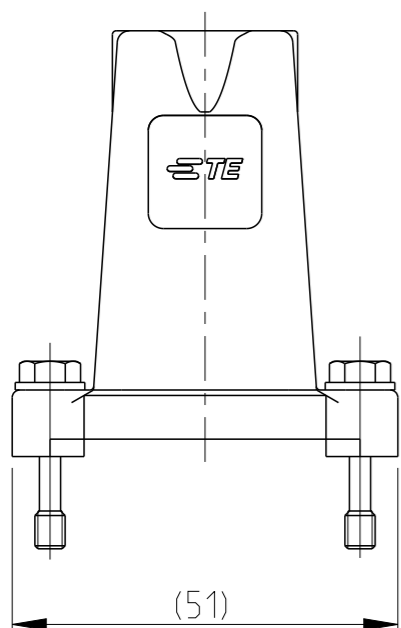
2009

REVISIONS

© COPYRIGHT 2009 BY -

ALL RIGHTS RESERVED.

P	LTR	DESCRIPTION	DATE	DWN	APVD
B		ECR-16-001855	29FEB2016	GCM	JB
C		ECR-16-014579	26APR2017	GCM	JB
C1		ECR-17-010220	08AUG2017	GCM	JB
C2		REVISED PER ECR-17-014013	12FEB2018	SRG	MKO



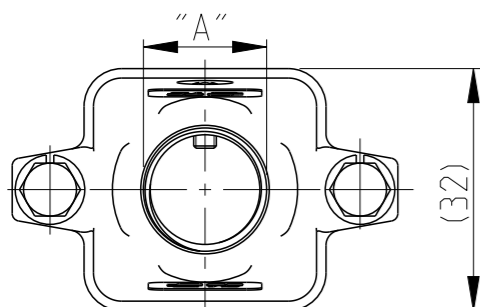
PN 0-1 AS SHOWN

0-1106402-8	EMV.3/4.STO.1.M20.G
0-1106402-7	EMV-K.3/4.ST-N
<del>0-1106402-6</del>	<del>EMV-K.3/4.STO.1.M20.G</del>
0-1106402-5	EMV-K.3/4.STO.1.M16.G
0-1106402-4	EMV.3/4.STO.1.M16.G
0-1106402-3	EMV-K.3/4.STO.1.M20.G
0-1106402-2	EMV-K.3/4.STO.1.M16.G
0-1106402-1	EMV.3/4.STO.1.M16.G
PART NO.	ORDERING TEXT

OBSOLETE

Notes

- 1 SUITABLE HOUSINGS: SERIES EMV, SIZE 1 CUSTOMER DRAWING 1102703; 1102702
- 2 STANDARDS: DIN EN 61984, DIN EN 60664-1
- 3 SURFACE: CHROMIT AL TCP PASSIVATION
- 4 TOOLS: PHILLIPS SCREWDRIVER PH1  
HEXAGON SCREWDRIVER 7mm
- 5 VARNISH ON INSIDE AREA NOT NECESSARY
- 6 PACKAGING:  
10 SETS IN A CARTON, PRE-MOUNTED

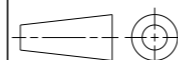


1	2	3	4	5	6	7	8	9	10	11	12
-	-	-	-	-	-	-	-	-	-	-	-
1	1	1	1	1	1	1	1	1	1	1	1
2	2	-	-	-	2	2	2	2	2	2	2
2	2	-	-	-	2	2	2	2	2	2	2
-	-	1	-	-	-	-	-	-	-	-	-
-	-	-	-	-	1	-	-	-	-	-	-
-	-	-	1	-	-	1	-	-	-	-	-
-	-	-	-	1	-	-	1	-	-	-	-
0-8	0-7	0-6	0-5	0-4	0-3	0-2	0-1	DESCRIPTION			ITEM
PN/QTY								"A"	MATERIAL	COLOR/SURFACE	NOTE

PARTS LIST (PER ONE UNIT)

THIS DRAWING IS A CONTROLLED DOCUMENT.

DIMENSIONS: mm



TOLERANCES UNLESS OTHERWISE SPECIFIED:

0 PLC	±0.1
1 PLC	±0.1
2 PLC	±0.1
3 PLC	±0.1
4 PLC	±0.1
ANGLES	±1°
FINISH	-

MATERIAL

DWN V.GLUMM 14AUG2009

CHK H.Braun 14AUG2009

APVD T.Schnurpfeil 14AUG2009

PRODUCT SPEC

APPLICATION SPEC

WEIGHT

CUSTOMER DRAWING



TE Connectivity

NAME CONNECTOR HOUSING ASS'Y, TOP ENTRY SERIES EMV, SIZE 1, METRIC

SIZE CAGE CODE DRAWING NO RESTRICTED TO

A3 00779 C=1106402

SCALE 5:1 SHEET 1 OF 1 REV C2

## X-ON Electronics

Largest Supplier of Electrical and Electronic Components

*Click to view similar products for [Heavy Duty Power Connectors](#) category:*

*Click to view products by [TE Connectivity](#) manufacturer:*

Other Similar products are found below :

[1424439](#) [1424438](#) [09330062652](#) [605601-1](#) [6340G1](#) [6341G1](#) [6360G1](#) [6373G1](#) [6374g2](#) [6396G1](#) [647757-1](#) [6643411-1](#) [6646058-2](#) [6646137-1](#)  
[6646138-1](#) [6646348-1](#) [6646479-1](#) [6646608-1](#) [6646786-1](#) [6646940-1](#) [6651525-1](#) [6651529-1](#) [6651778-1](#) [6651788-1](#) [696465-1](#) [696475-1](#)  
[73000005059](#) [73000005349](#) [73000005642](#) [73080965046](#) [765-15-0080A](#) [765-16-0080B](#) [789.700-44](#) [789.700-54](#) [80-1010](#) [80-9](#) [827381-1](#)  
[829992-1](#) [902-77-02113](#) [PL00U-301-10D10](#) [PM103MOOLOO](#) [PM212MOOLOO](#) [PM309FOOLOO](#) [PM324FOOLCH](#) [PMHPAF11S03](#)  
[PMHPAF14S01](#) [PMHPAM14P05](#) [PMHPAS06](#) [PMHPBF14S01](#) [PP45PC12S](#)