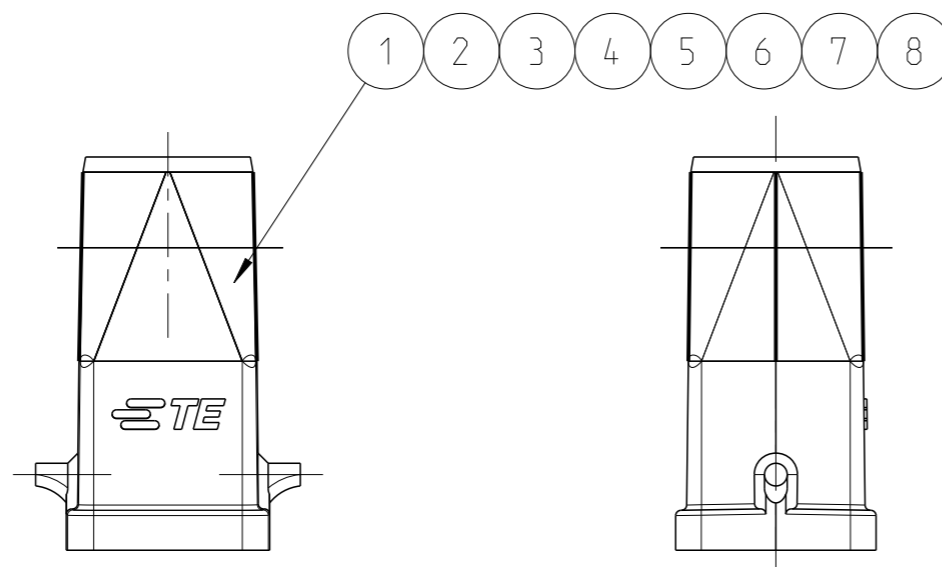


REVISIONS

P	LTR	DESCRIPTION	DATE	DWN	APVD
A12		ECR-13-019172	18DEC2013	KR	MKO
A13		ECR-14-012657	08SEP2014	RK	MKO
A14		REVISED PER ECR-17-014013	03JAN2018	SRG	MKO
B		REVISED PER ECR-20-006023	05NOV2020	SR	MKO

NOTES

- 1 MATERIAL: ZINC DIECAST
- 2 COLOR: - VARNISH GREY  
- VARNISH BLACK  
- METALLIC SILVER
- 3 VARNISH ON THE INSIDE NOT NECESARILY
- 4 SPECIAL PACKAGING  
PACKAGING QUANTITY 100 PIECES
- 5 PACKAGING QUANTITY 10 PIECES



OBSOLETE									DESCRIPTION	MATERIAL	SURFACE	COLOR	ITEM	NOTES
1									HOOD HA.3	ZINC DIECAST		BLACK	8	M20
	1								HOOD HA.3	ZINC DIECAST		WITHOUT VARNISH	7	M20
		1							HOOD HA.3	ZINC DIECAST	BLUE PASSIVATION	METALLIC SILVER	6	M20
			1						HOOD HA.3	ZINC DIECAST	BLUE PASSIVATION	BLACK	5	M16
				1					HOOD HA.3	ZINC DIECAST	BLUE PASSIVATION	WITHOUT VARNISH	4	M16
					1				HOOD HA.3	ZINC DIECAST		GREY	3	M20
						1			HOOD HA.3	ZINC DIECAST		BLACK	2	M16
							1		HOOD HA.3	ZINC DIECAST		GREY	1	M16
0-9	0-8	0-7	0-6	0-5	0-4	0-3	0-2	0-1						
									HA.3.STO.1.M16.Z		5			
									HA-K.3.STO.1.M16.Z		5			
									HA.3.STO.1.M20.Z		5			
									HA.3.STO.1.M16.Z.KM		4			
									HA-EMV.3.STO.1.M16.Z		5			
									HA-EMV-K.3.STO.1.M16.Z		5			
									HA-EMV-K.3.STO.1.M20.Z		5			
									HA-EMV.3.STO.1.M20.Z		5			
									HA-K.3.STO.1.M20.Z		5			

THIS DRAWING IS A CONTROLLED DOCUMENT.

DWN 09MAR2010 R.SCHNEIDER

CHK 09MAR2010 T.SCHNURPFEL

APVD -

NAME

HOOD ASSY HA.3

PRODUCT SPEC

APPLICATION SPEC

SIZE CAGE CODE DRAWING NO

A3 00779 C=1106405

RESTRICTED TO

CUSTOMER DRAWING

SCALE 5:1

SHEET 1 OF 1

REV B

DIMENSIONS:

mm



TOLERANCES UNLESS OTHERWISE SPECIFIED:

- 0 PLC ±
- 1 PLC ±
- 2 PLC ±
- 3 PLC ±
- 4 PLC ±
- ANGLES ±1°
- FINISH -

MATERIAL

-



TE Connectivity

## X-ON Electronics

Largest Supplier of Electrical and Electronic Components

*Click to view similar products for [Heavy Duty Power Connectors](#) category:*

*Click to view products by [TE Connectivity](#) manufacturer:*

Other Similar products are found below :

[647757-1](#) [6643411-1](#) [6646058-2](#) [6646137-1](#) [6646138-1](#) [6646479-1](#) [6646608-1](#) [6646786-1](#) [6646940-1](#) [6651091-1](#) [6651525-1](#) [6651529-1](#)  
[6651788-1](#) [696475-1](#) [702-32-01109](#) [703-25-02205](#) [73000005059](#) [73000005642](#) [73080255059](#) [73080965046](#) [765-15-0080A](#) [765-16-0080B](#)  
[765-18-0080D](#) [829992-1](#) [902-77-02113](#) [PS00/A0620/6300](#) [PS25/A0420/63](#) [129-1J](#) [1409400](#) [AN0024023](#) [E6374G1](#) [e6389g2](#) [157-43GW8](#)  
[MS3117-14AC](#) [1643543-1](#) [1650540-1](#) [1651811-2](#) [1766260-1](#) [1766282-1](#) [1766966-1](#) [1791340000](#) [NLDFT-3-BL-L-S120-M40A](#) [NLDFT-N-](#)  
[W-L-C240-M40B](#) [NLS-2-R-C240-M40B](#) [NLS-N-W-C240-M40B](#) [NPS-3-BL-T6](#) [1986615-1](#) [2-1589900-8](#) [2199314-1](#) [KA8102](#)