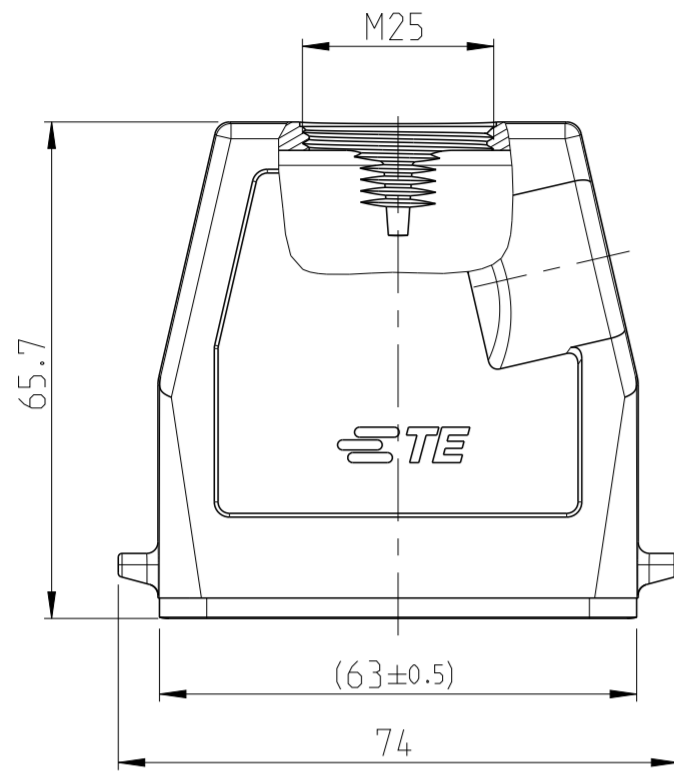


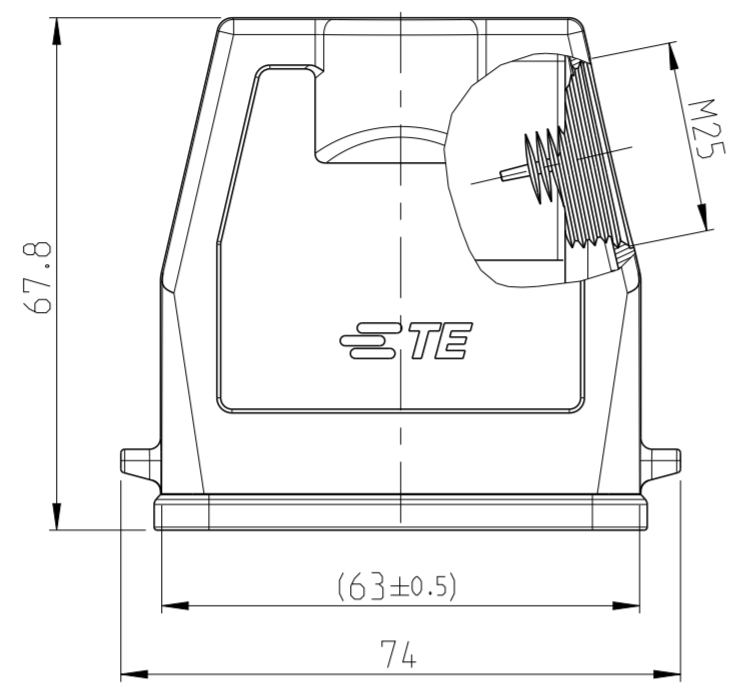
THIS DRAWING IS UNPUBLISHED. RELEASED FOR PUBLICATION 2009
 © COPYRIGHT 2009 BY - ALL RIGHTS RESERVED.

REVISIONS					
P	LTR	DESCRIPTION	DATE	DWN	APVD
E3		ECR-09-022009	18NOV2009	SR	OD
E4		REVISED PER ECR-17-014013	10JAN2018	SRG	MKO
E5		ECR-20-000801	17JAN2020	QY	JB

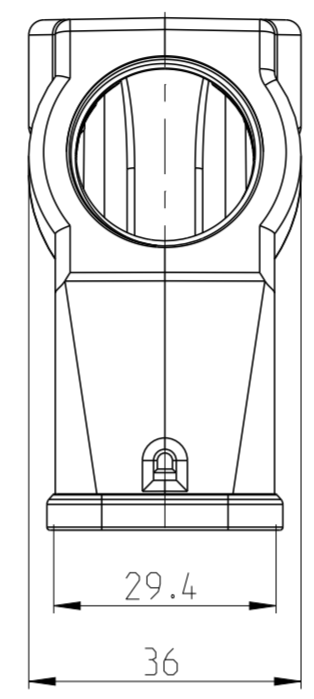
PN 0-1 AS SHOWN



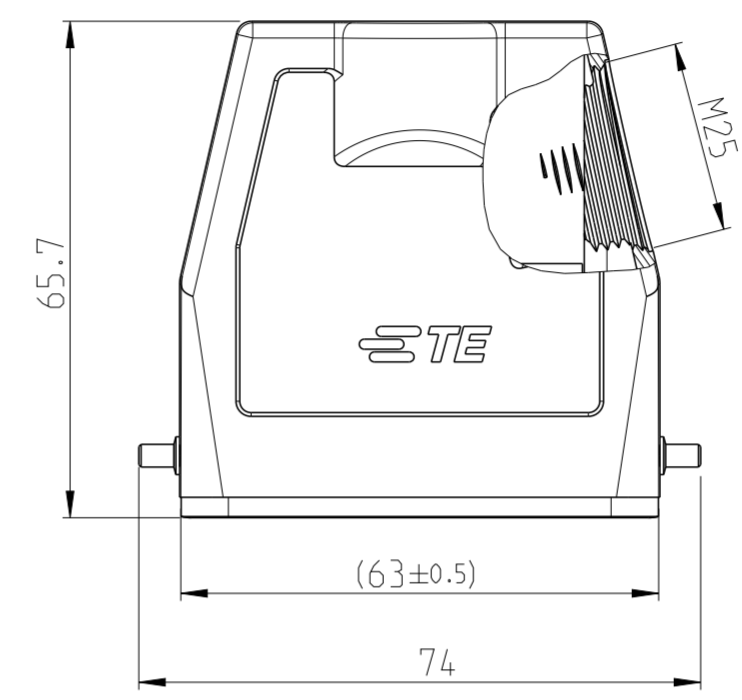
PN 0-2 AS SHOWN



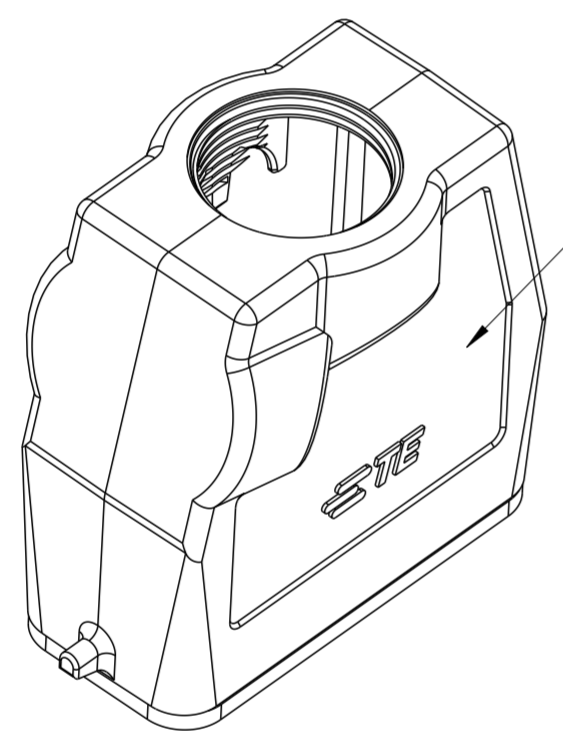
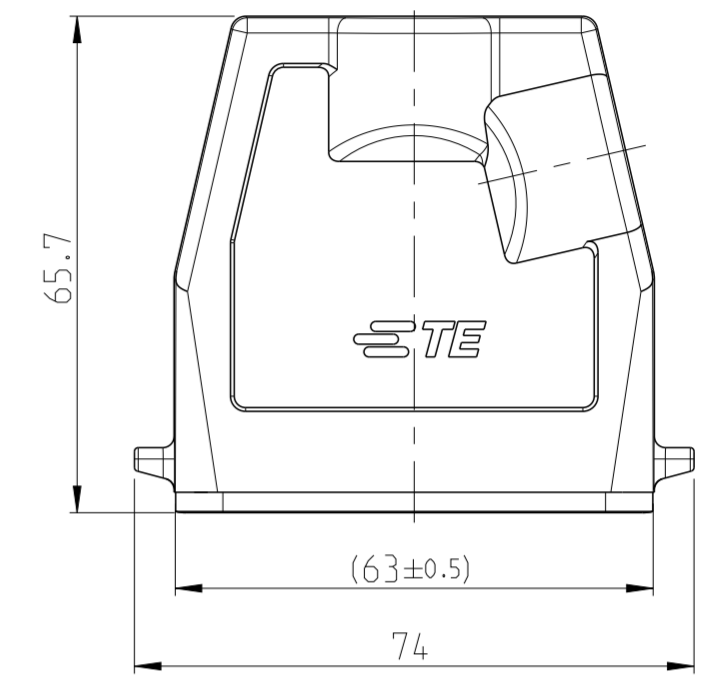
PN 0-2 AS SHOWN



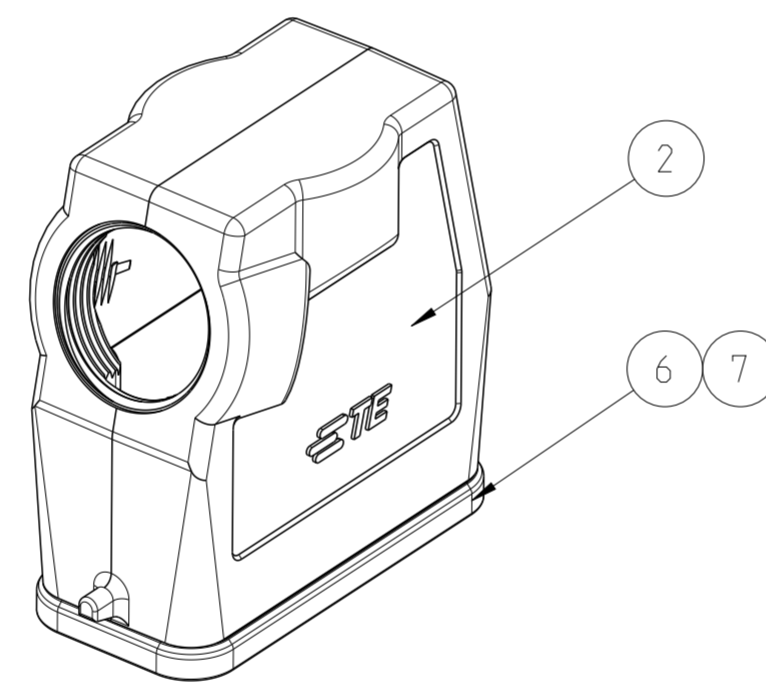
PN 0-4 AS SHOWN



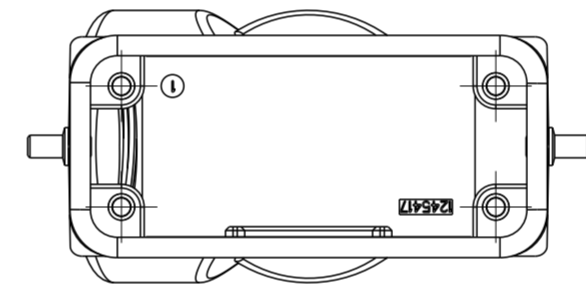
PN 0-5 AS SHOWN



PN 0-1 AS SHOWN

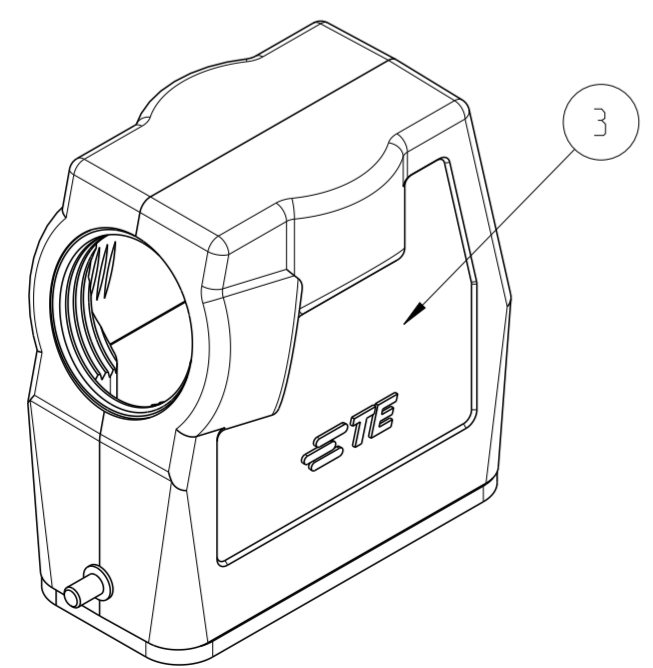


PN 0-2 AS SHOWN

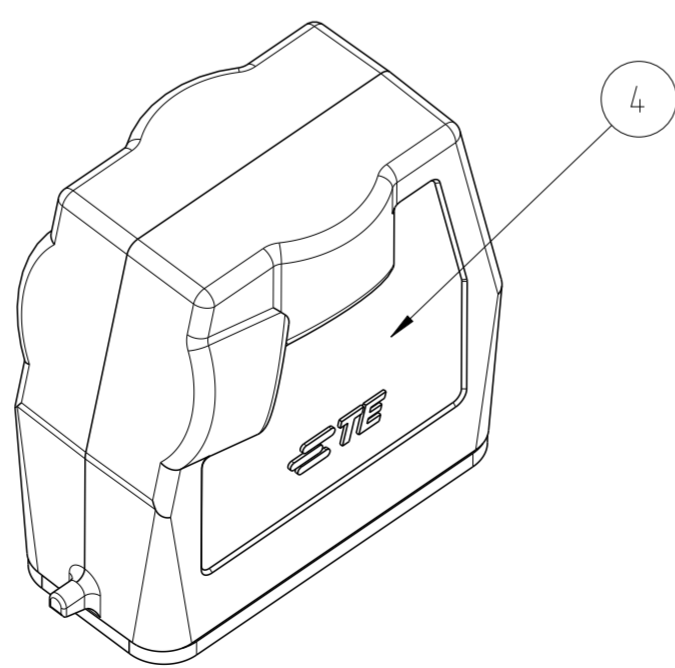


NOTES:

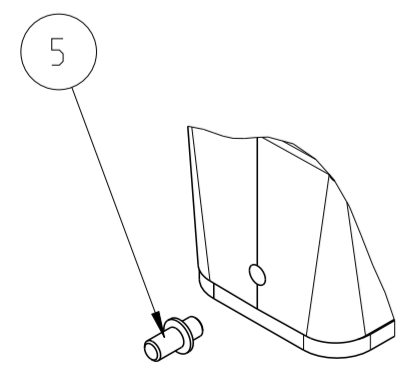
- 1 PACKAGING QUANTITY: 5 PIECES PER BOX
- MATERIAL: HOUSING: ALUMINUM DIE CAST ALLOY
SEALS: NEOPRENE
- 2 SURFACE: VARNISH GREY
ALUMINUM OXIDE + VARNISH BLACK
- 3 VARNISH ON THE INSIDE NOT NECESSARY



PN 0-4 AS SHOWN



PN 0-5 AS SHOWN



OBSOLETE	OBSOLETE	OBSOLETE								
2	2	2	2	INSULATING TAPE	COROPLAST TYP 303			GREY RAL7001	7	PVC SOFT
1	1	1	1	PROFILE SEAL	NEOPRENE			BLACK	6	
			2	CLIP BOLT	STAINLESS STEEL	BLANK			5	
			1	HOOD HD	ALU. ALLOY			GREY RAL7001	4	
			1	HOOD HD	ALU. ALLOY	ALUMINUM OXID		BLACK	3	
			1	HOOD HD	ALU. ALLOY			GREY RAL7001	2	
			1	HOOD HD	ALU. ALLOY			GREY RAL7001	1	
0-5	0-4	0-2	0-1	DESCRIPTION	MATERIAL		SURFACE	COLOR	ITEM	NOTES
				HD-15.STO.1.M25.G						
				HD-15.STS.1.M25.G						
				HD-K.15.STS.1.M25.G						
				HD-15.ST						

THIS DRAWING IS A CONTROLLED DOCUMENT. DWN V. GLUMM 18NOV2009

DIMENSIONS: mm TOLERANCES UNLESS OTHERWISE SPECIFIED:

0 PLC	±
1 PLC	±
2 PLC	±
3 PLC	±
4 PLC	±
ANGLES	±°
FINISH	

MATERIAL: material_2 FINISH: finish_spec_2

APVD: - PRODUCT SPEC: - APPLICATION SPEC: - WEIGHT: -

NAME: **STE** TE Connectivity
CONNECTOR HOUSING ASS'Y
SERIES HD.15 METRIC THREAD

SIZE: A2 CAGE CODE: 00779 DRAWING NO: 1106414 RESTRICTED TO: -

CUSTOMER DRAWING SCALE: 1:1 SHEET: 1 OF 1 REV: E5

X-ON Electronics

Largest Supplier of Electrical and Electronic Components

Click to view similar products for [Heavy Duty Power Connectors](#) category:

Click to view products by [TE Connectivity](#) manufacturer:

Other Similar products are found below :

[647757-1](#) [6643411-1](#) [6646058-2](#) [6646137-1](#) [6646138-1](#) [6646479-1](#) [6646608-1](#) [6646786-1](#) [6646940-1](#) [6651091-1](#) [6651525-1](#) [6651529-1](#)
[6651788-1](#) [696475-1](#) [702-32-01109](#) [703-25-02205](#) [73000005059](#) [73000005642](#) [73080255059](#) [73080965046](#) [765-15-0080A](#) [765-16-0080B](#)
[765-18-0080D](#) [829992-1](#) [902-77-02113](#) [PS00/A0620/6300](#) [PS25/A0420/63](#) [129-1J](#) [1409400](#) [AN0024023](#) [E6374G1](#) [e6389g2](#) [157-43GW8](#)
[MS3117-14AC](#) [1643543-1](#) [1650540-1](#) [1651811-2](#) [1766260-1](#) [1766282-1](#) [1766966-1](#) [1791340000](#) [NLDFT-3-BL-L-S120-M40A](#) [NLDFT-N-](#)
[W-L-C240-M40B](#) [NLS-2-R-C240-M40B](#) [NLS-N-W-C240-M40B](#) [NPS-3-BL-T6](#) [1986615-1](#) [2-1589900-8](#) [2199314-1](#) [KA8102](#)