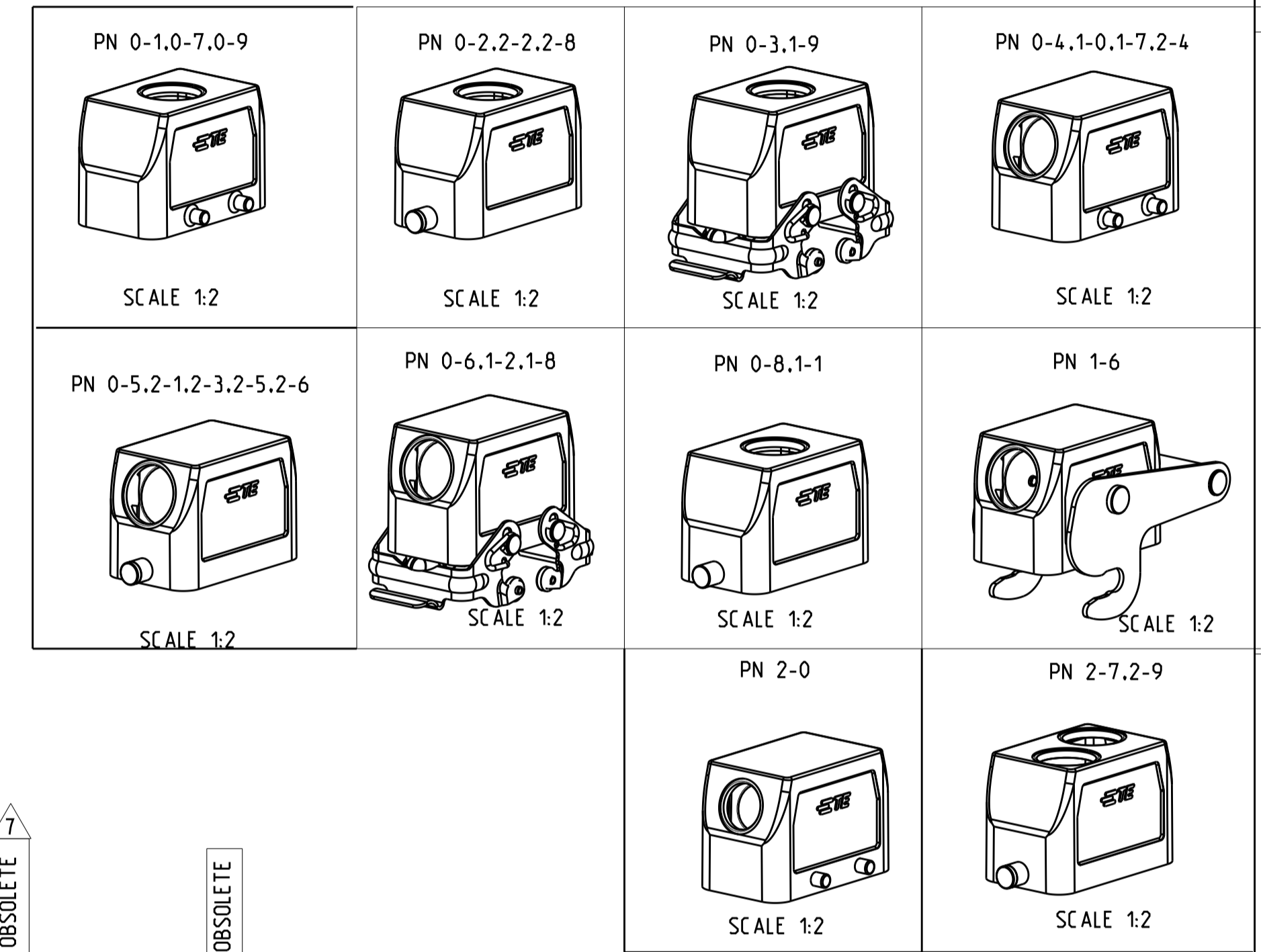
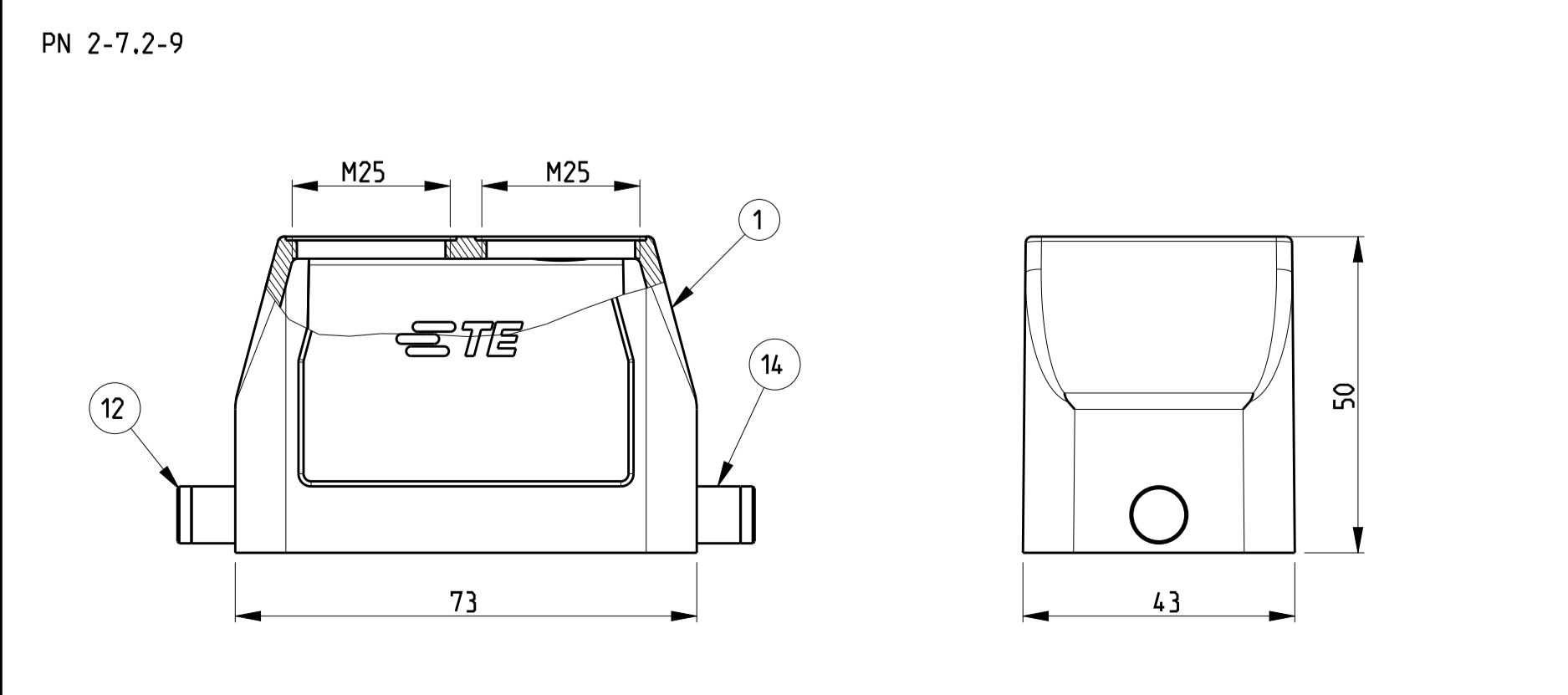
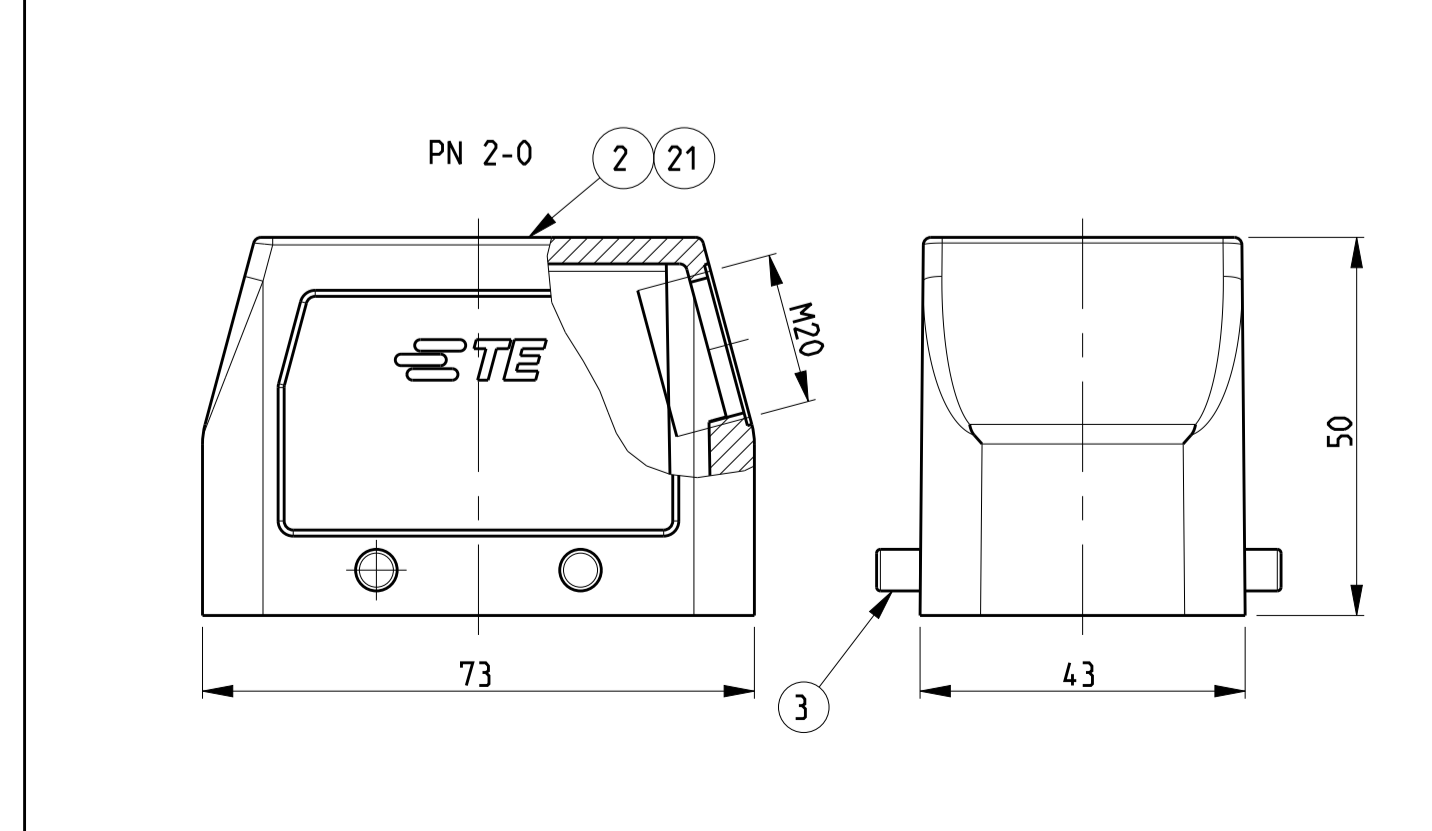
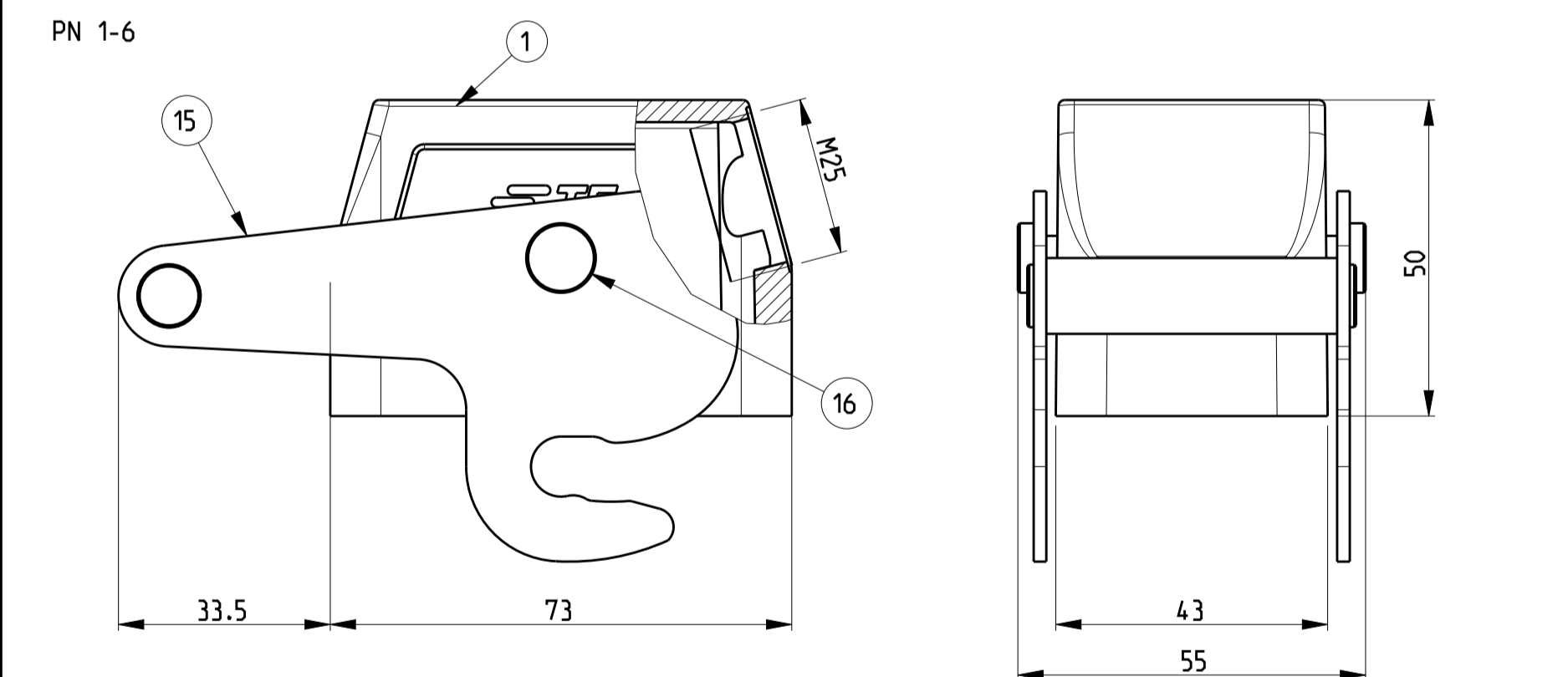
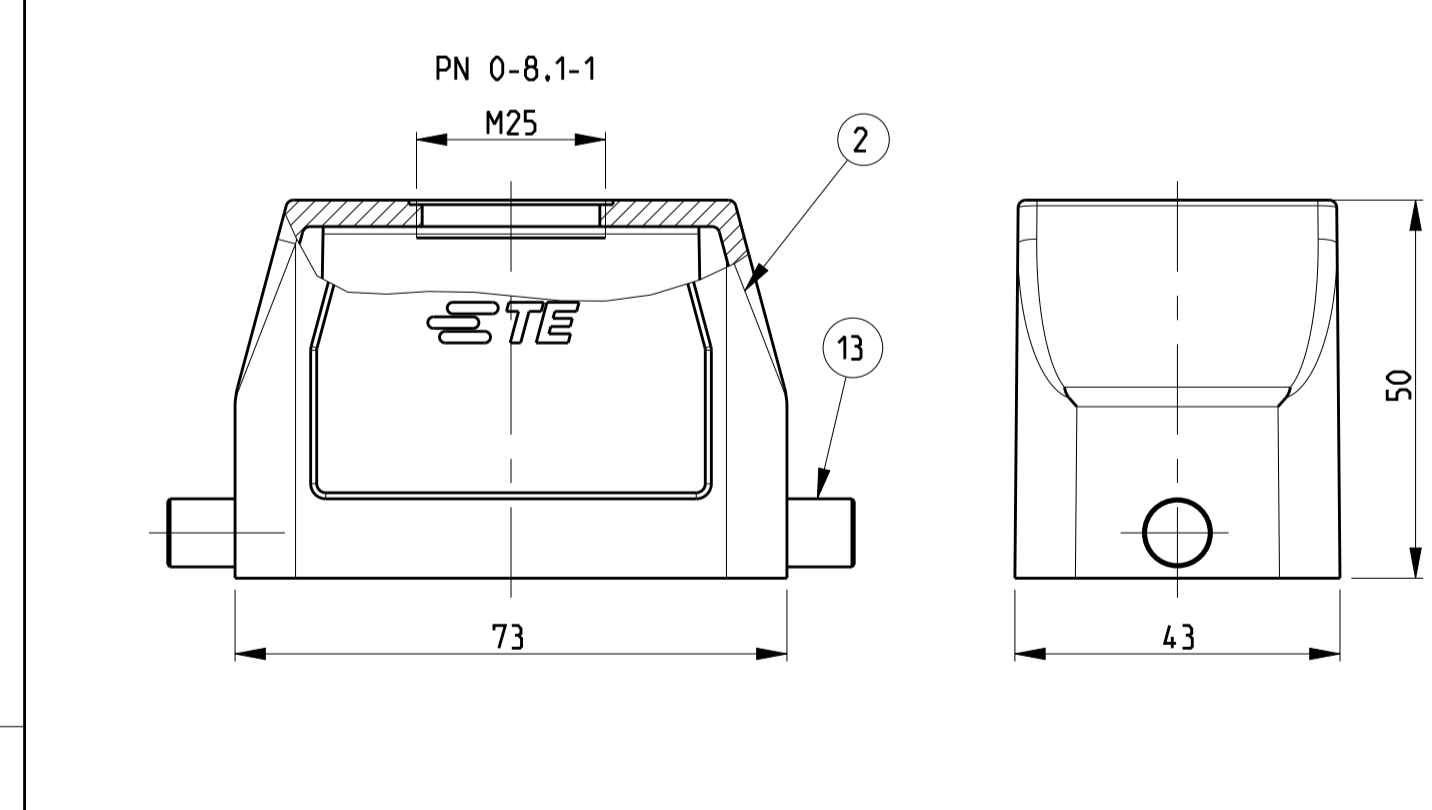
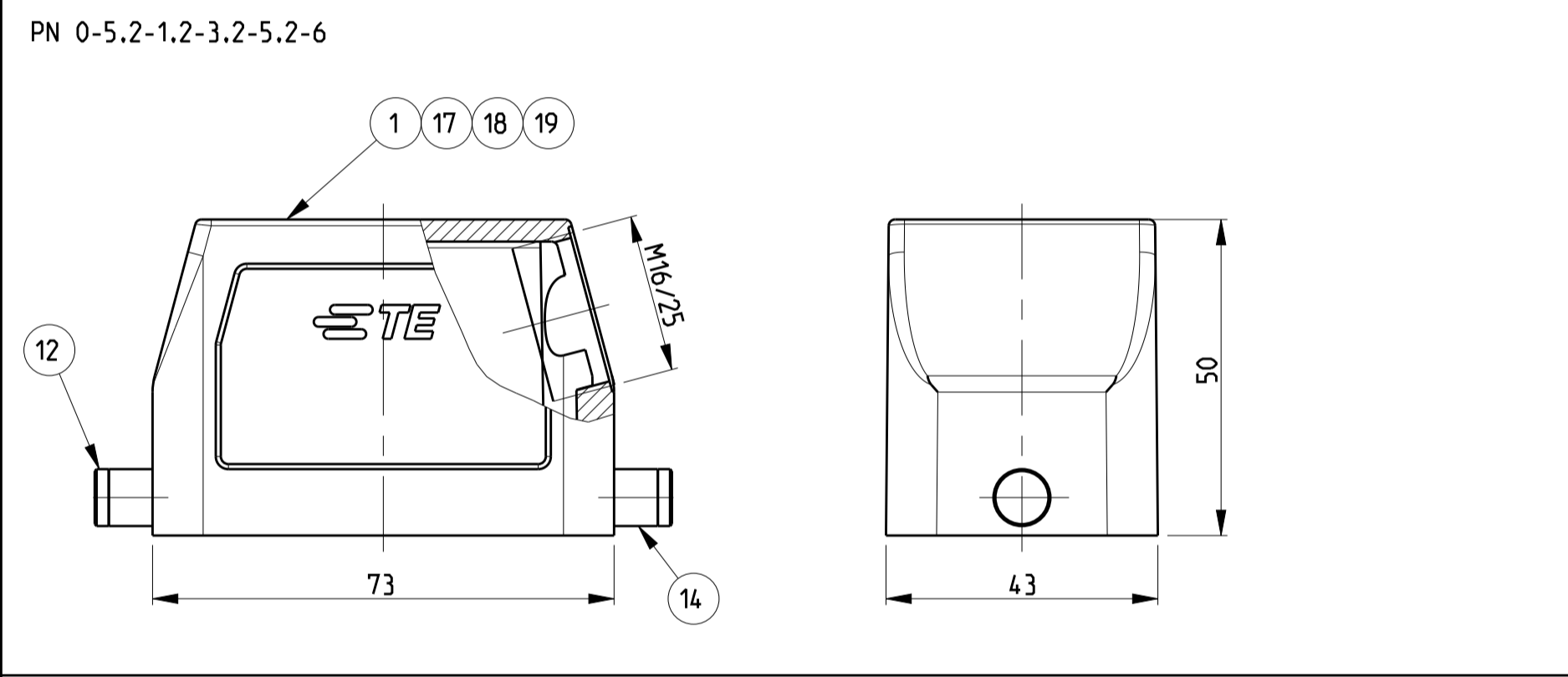
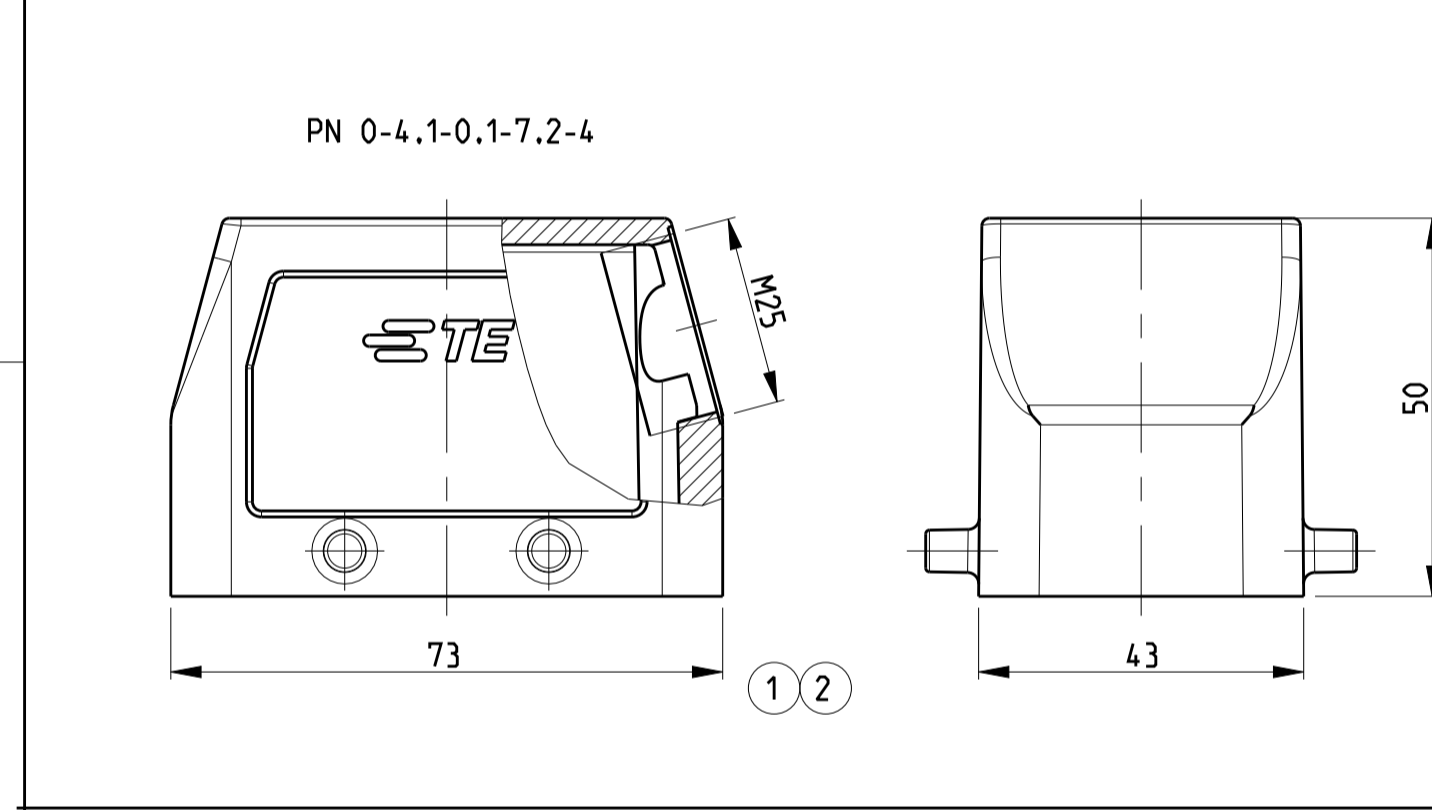
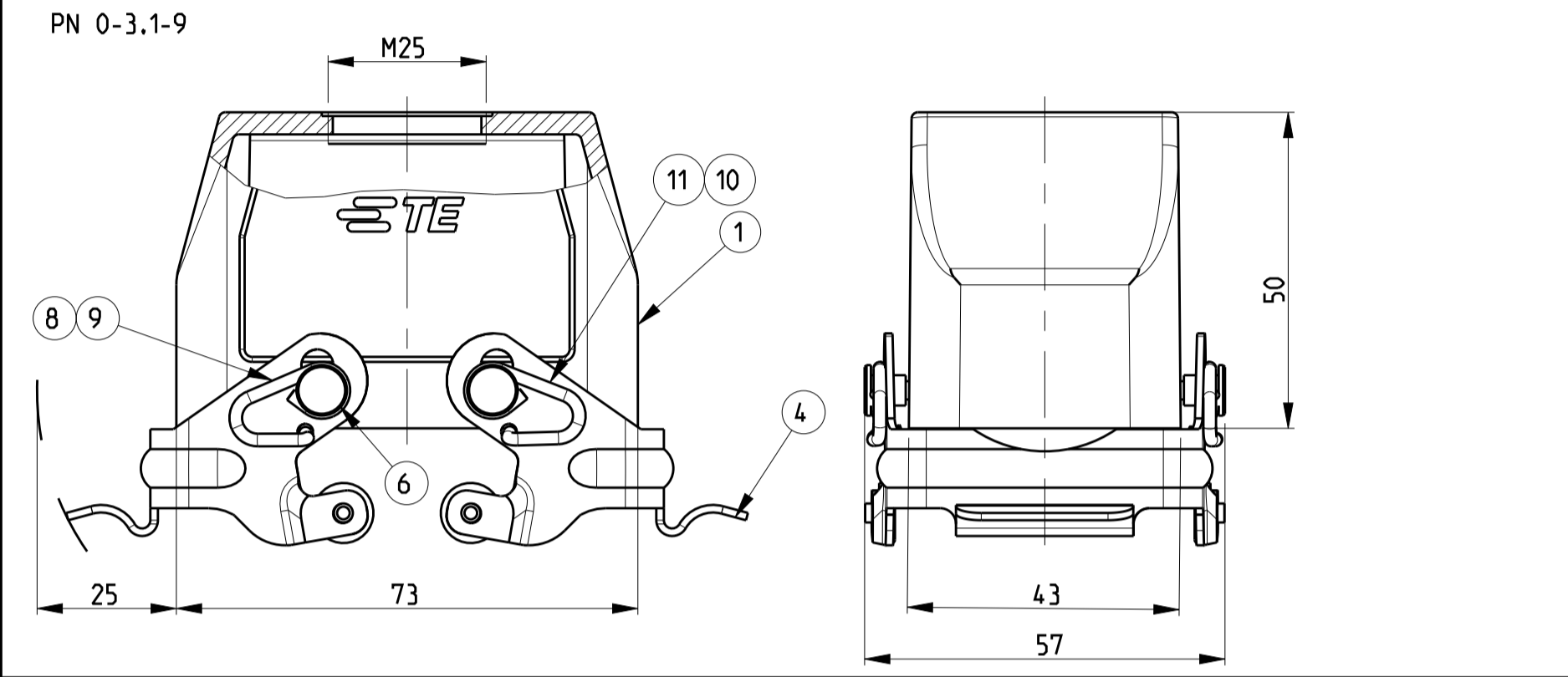
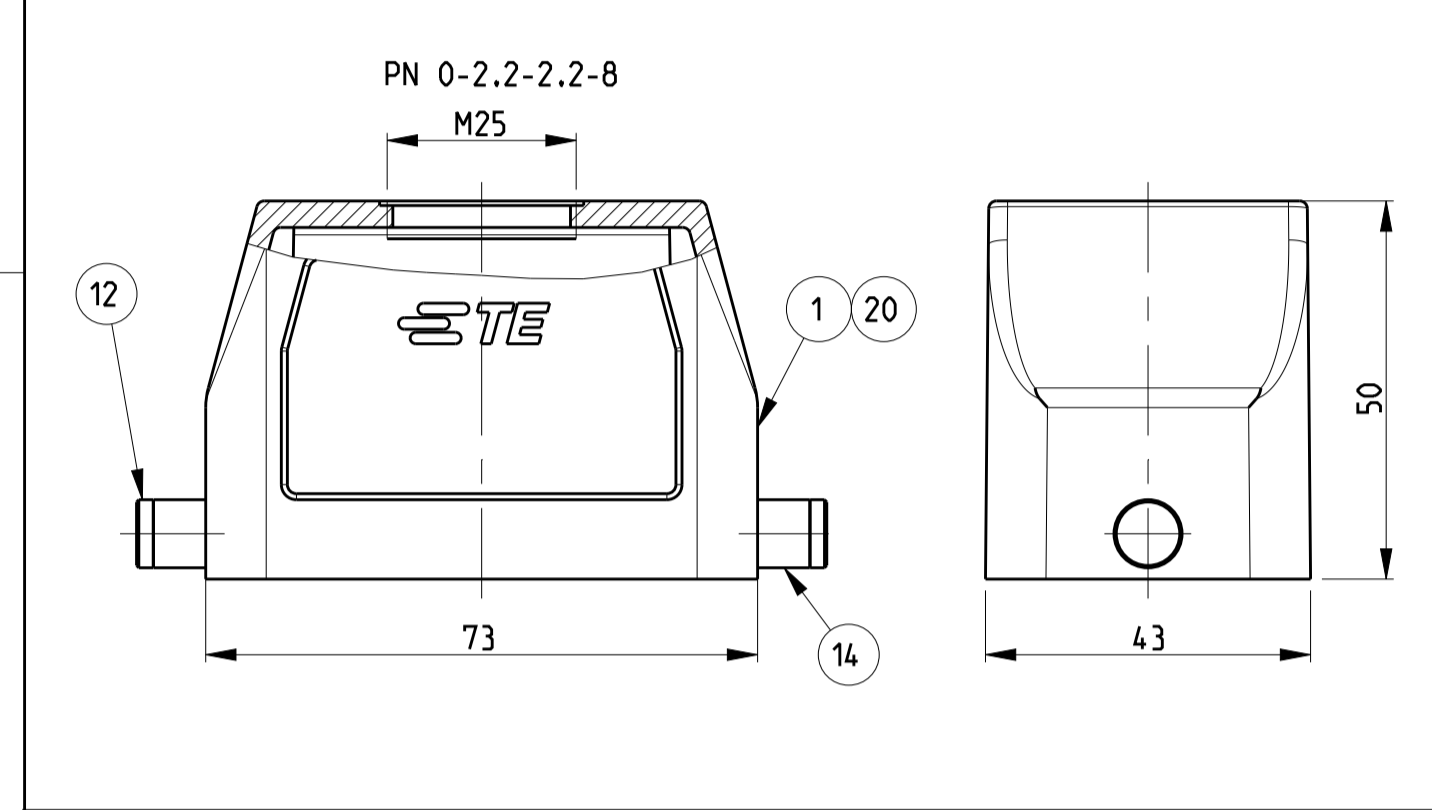
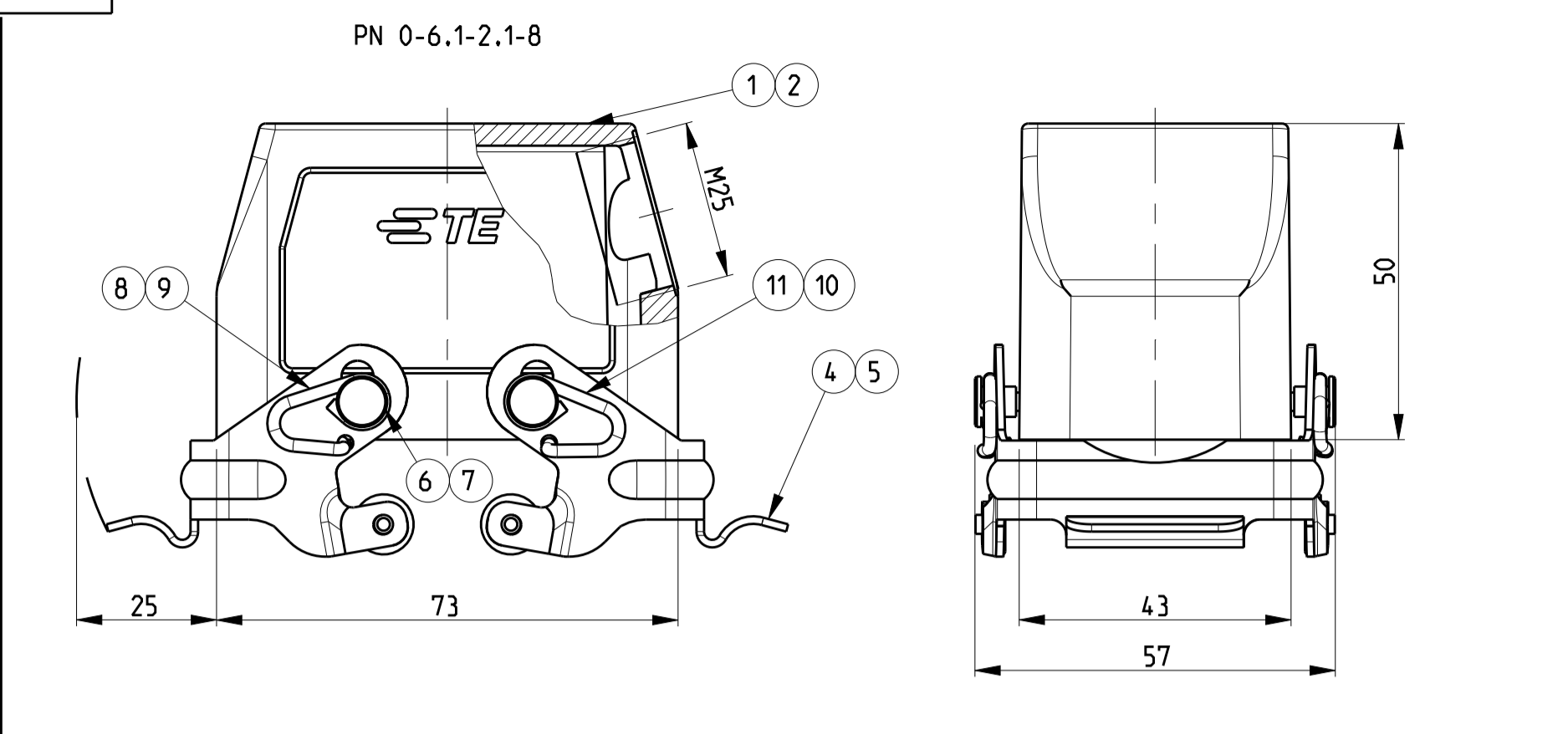
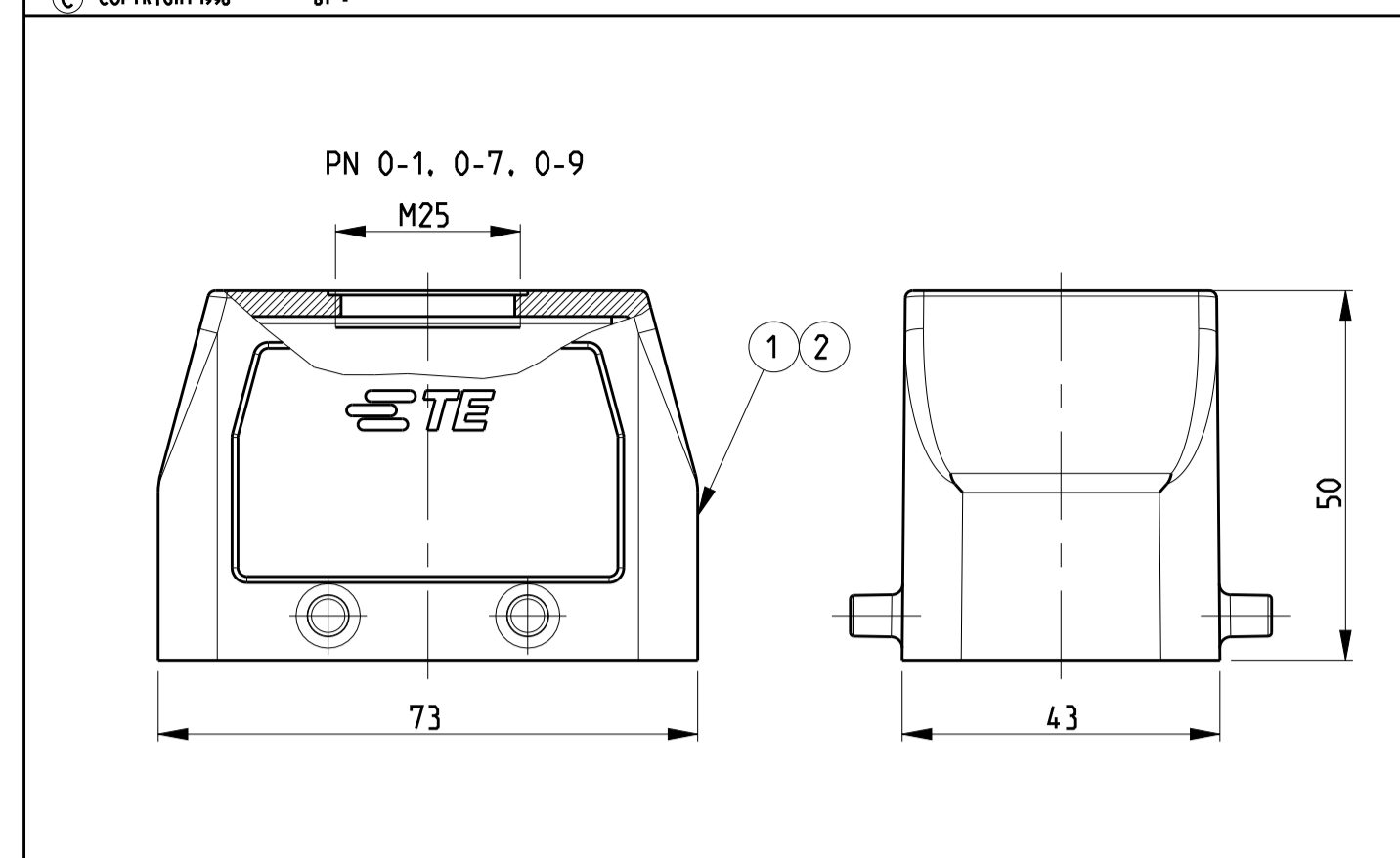


REVISIONS				
P	LTR	DESCRIPTION	DATE	DWN APVD
A24	ECR-10-016861		12AUG2010	GR GW
A25	ECR-16-016696		18SEP2017	GR MKO
A26	REVISED PER ECR-16-016780		30JAN2018	SG MKO
A27	ECR-17-014013		26MAR2018	SG MKO

- NOTES
- 1 MATERIAL:HOUSING ALUMINIUM DIECASTING ALLOY
 - 2 SURFACE-POWDER VARNISH GREY
-ALUMINIUM OXIDE
-VARNISH BLACK
 - 3 PACKAGING QUANTITY 5 PIECES IN A BOX
 - 4 VARNISH ON THE INSIDE NOT NECESSARY
 - 5 SPECIAL PACKAGING QUANTITY 50 PIECES IN A KANBAN BOX
 - 6 SPECIAL PACKAGING QUANTITY 130 PIECES IN A KANBAN BOX
 - 7 OBSOLETE PARTS: OBSOLETE CIS STREAMLINING PER D.RENAUD/D.SINISI



QTY	REF	DESCRIPTION	MATERIAL	SURFACE	COLOR	ITEM NO	NOTES
1	1	HB-EMV HOOD	ALUMINIUM	SEE NOTE	BLANC	21	
1	1	HB-EMV HOOD	ALUMINIUM	SEE NOTE	BLANC	20	
1	1	HB HOOD	ALUMINIUM		BLANK	19	
1	1	HB HOOD	ALUMINIUM		BLANK	18	
1	1	HB-EMV HOOD	ALUMINIUM	SEE NOTE	BLANK	17	
2	2	ZB-CLIP FIXING	STEEL	ZINC PLATED	BLUE	16	
2	2	ZB-SIDE CLIP	STEEL	ZINC PLATED	BLUE	15	
2	2	LB-SLIDE SPOOL	STEEL	ZINC PLATED	BLUE	14	
2	2	LB-CLIP BOLT	STAINLESS STEEL	BLANK	BLANK	13	
2	2	LB-CLIP BOLT	STEEL	ZINC PLATED	BLUE	12	
2	2	VS-CLIP SPRING RIGHT	STAINLESS STEEL	BLANK	BLANK	11	
2	2	VS-CLIP SPRING RIGHT	STEEL	ZINC PLATED	BLUE	10	
2	2	VS-CLIP SPRING LEFT	STAINLESS STEEL	BLANK	BLANK	9	
2	2	VS-CLIP SPRING LEFT	STEEL	ZINC PLATED	BLUE	8	
4	4	VS-CLIP FIXING	STAINLESS STEEL	BLANK	BLANK	7	
2	2	VS-CLIP FIXING	STEEL	ZINC PLATED	BLUE	6	
2	2	VS-SIDE CLIP	STAINLESS STEEL	BLANK	BLANK	5	
2	2	VS-SIDE CLIP	STEEL	ZINC PLATED	BLUE	4	
1	1	VS-CLIP BOLT	STAINLESS STEEL	BLANK	BLANK	3	
1	1	HB-K HOOD	ALUMINIUM	ALUMINIUM OXIDE	BLACK	2	
1	1	HB HOOD	ALUMINIUM		GREY	1	

THIS DRAWING IS A CONTROLLED DOCUMENT.

DIMENSIONS: mm

TOLERANCES UNLESS OTHERWISE SPECIFIED:

MATERIAL FINISH

APVD: SCHNEIDER, SCHWEIGER

PRODUCT SPEC: 108-740001/108-740003

APPLICATION SPEC: 114-740001/114-740004

WEIGHT: -

CUSTOMER DRAWING

DATE: 11.12.2002

NAME: HODD HB.10 WITH M-THREAD

SIZE: A1

CAGE CODE: 00779

DRAWING NO: C=1106430

RESTRICTED TO

SCALE: 5:1

SHEET: 1 OF 1

REV: A27

X-ON Electronics

Largest Supplier of Electrical and Electronic Components

Click to view similar products for [Heavy Duty Power Connectors](#) category:

Click to view products by [TE Connectivity](#) manufacturer:

Other Similar products are found below :

[647757-1](#) [6643411-1](#) [6646058-2](#) [6646137-1](#) [6646138-1](#) [6646479-1](#) [6646608-1](#) [6646786-1](#) [6646940-1](#) [6651091-1](#) [6651525-1](#) [6651529-1](#)
[6651788-1](#) [696475-1](#) [702-32-01109](#) [703-25-02205](#) [73000005059](#) [73000005642](#) [73080255059](#) [73080965046](#) [765-15-0080A](#) [765-16-0080B](#)
[765-18-0080D](#) [829992-1](#) [902-77-02113](#) [PS00/A0620/6300](#) [PS25/A0420/63](#) [129-1J](#) [1409400](#) [AN0024023](#) [E6374G1](#) [e6389g2](#) [157-43GW8](#)
[MS3117-14AC](#) [1643543-1](#) [1650540-1](#) [1651811-2](#) [1766260-1](#) [1766282-1](#) [1766966-1](#) [1791340000](#) [NLDFT-3-BL-L-S120-M40A](#) [NLDFT-N-](#)
[W-L-C240-M40B](#) [NLS-2-R-C240-M40B](#) [NLS-N-W-C240-M40B](#) [NPS-3-BL-T6](#) [1986615-1](#) [2-1589900-8](#) [2199314-1](#) [KA8102](#)