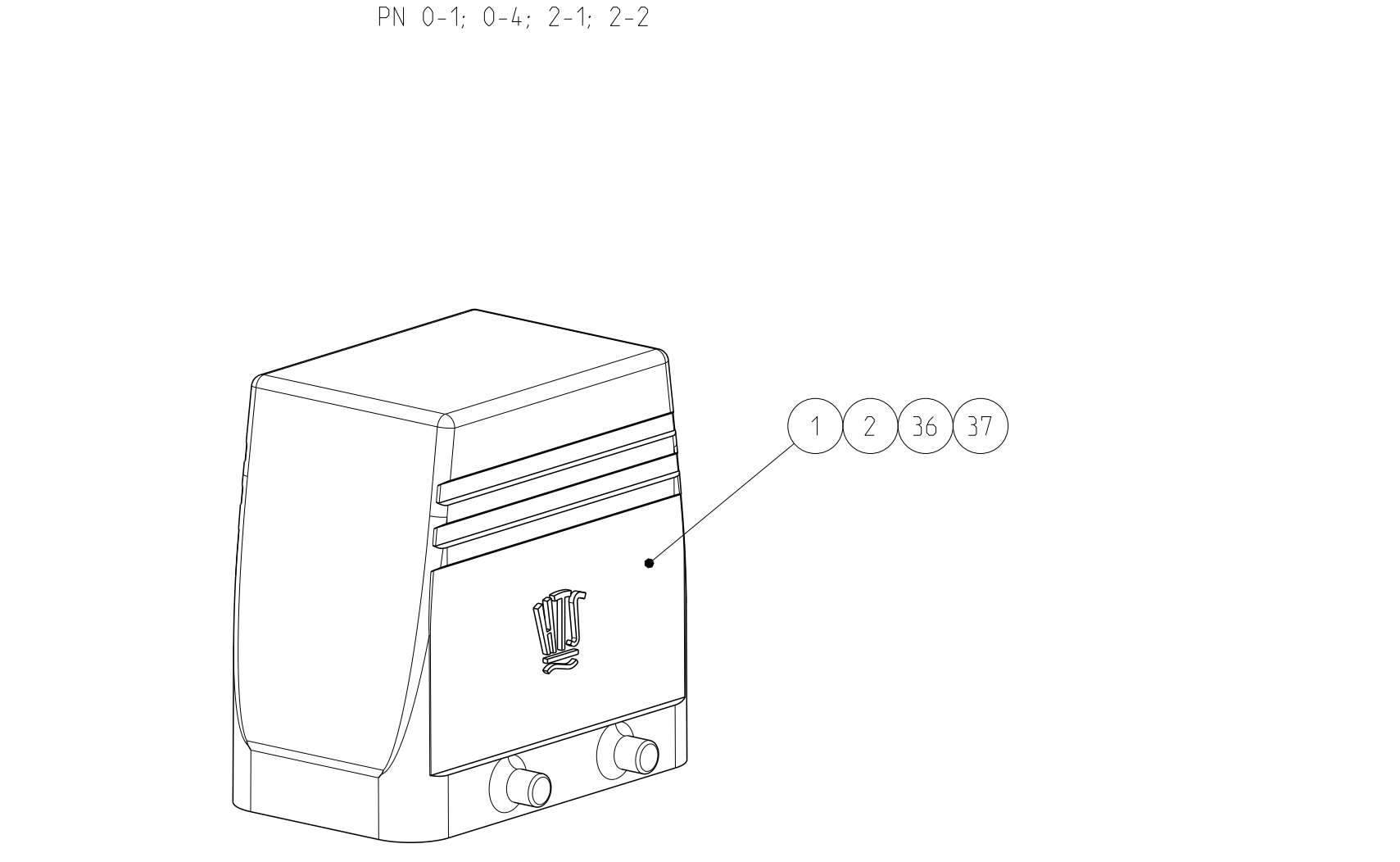
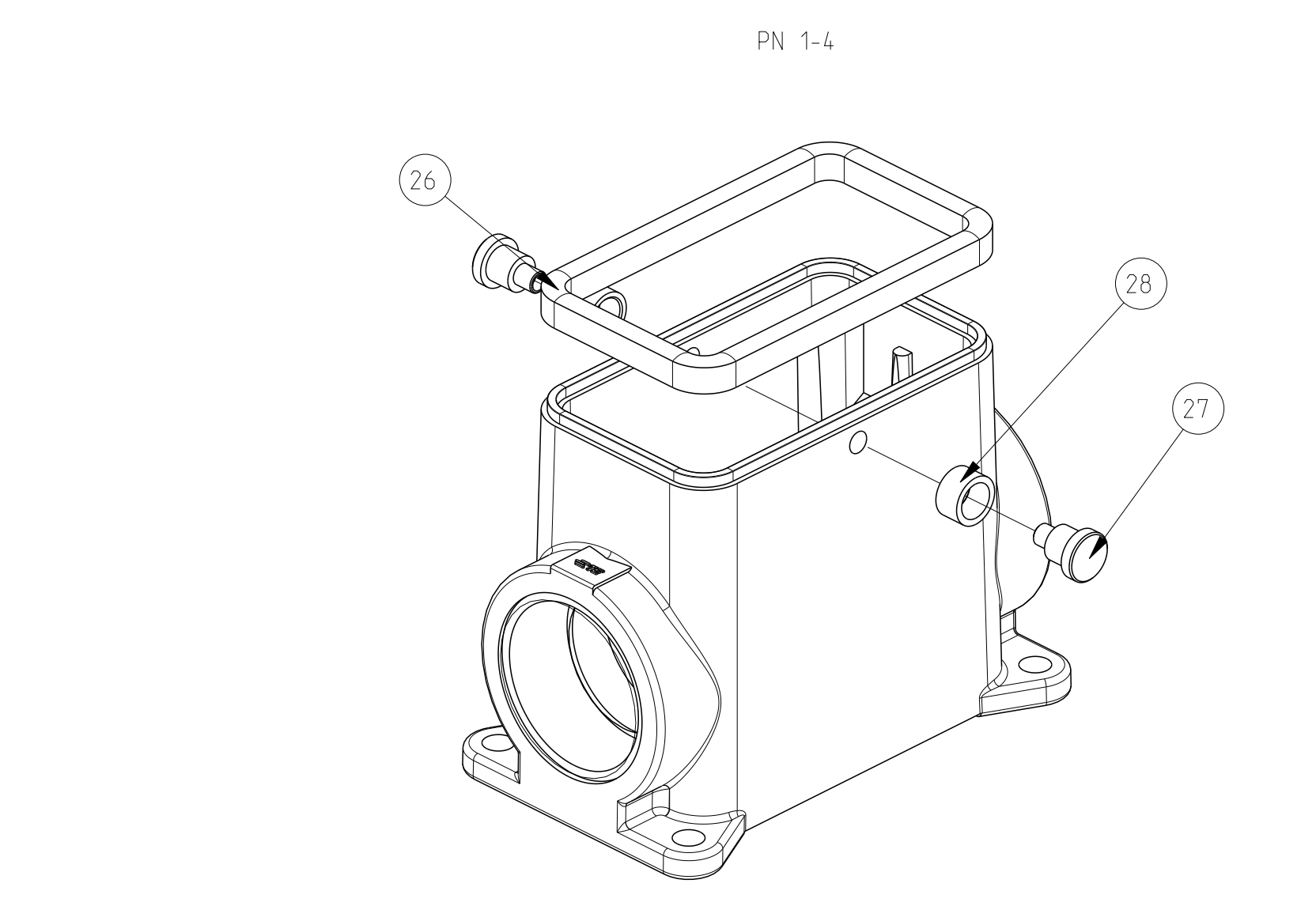
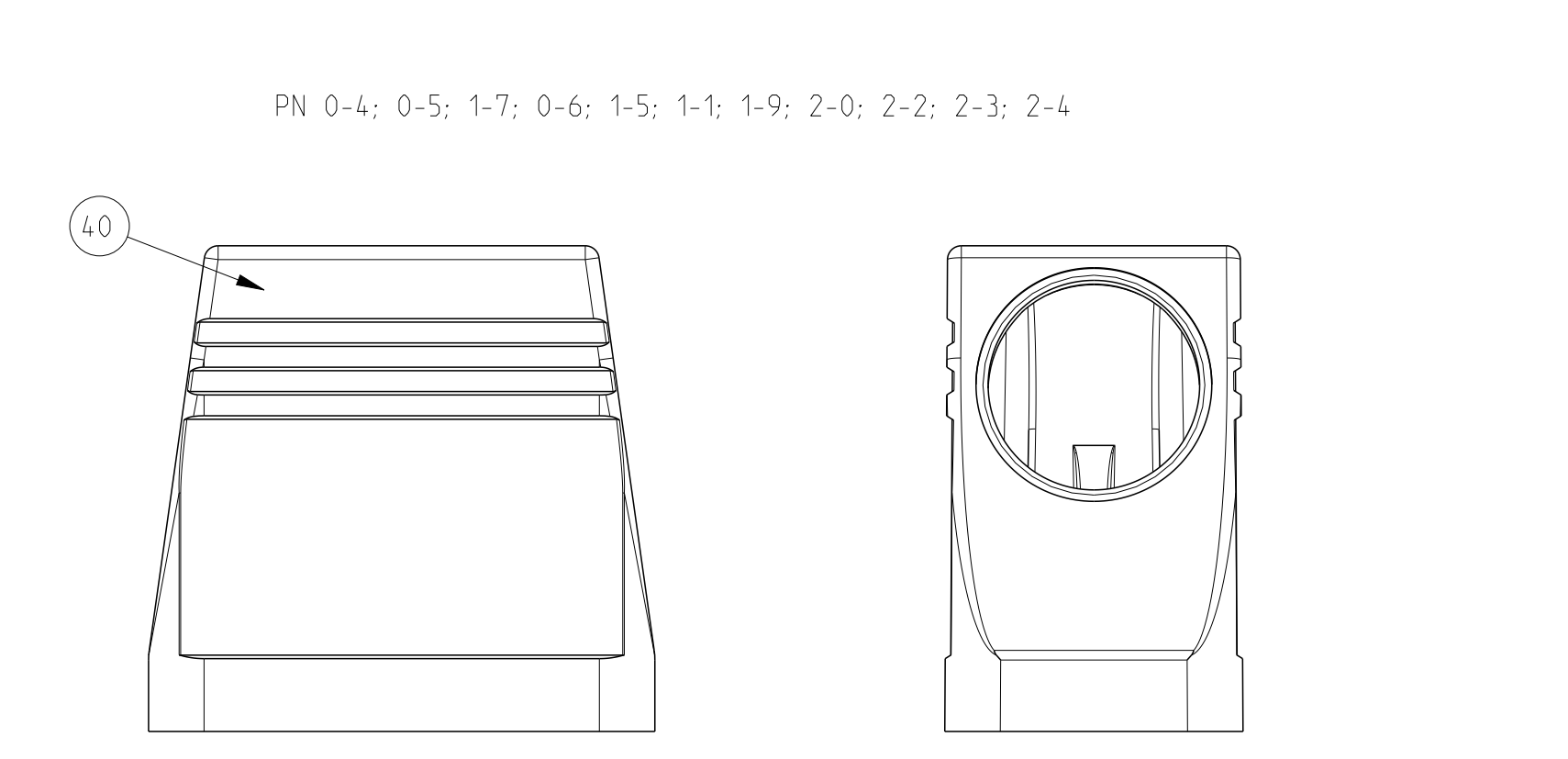
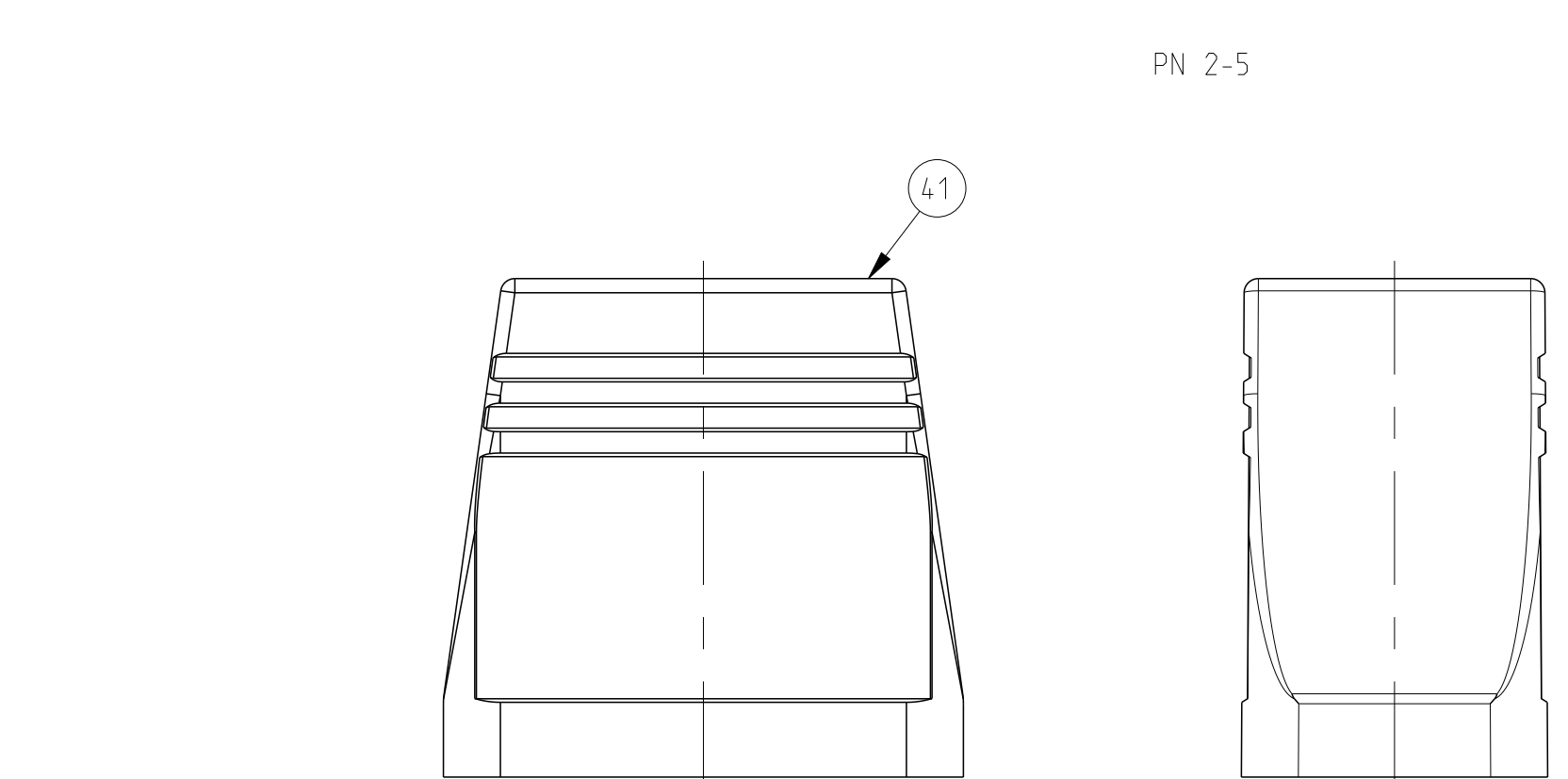


REV	DATE	DESCRIPTION	BY	CHK	APPD
A16	ECR-10-01573		09JAN2008	SR	AR
A17	ECR-15-000619		21AUG2008	GSK	MKO
A18	ECR-16-016696		29AUG2008	GEM	MKO
A19	ECR-17-016013		26MAR2008	SG	MKO

NOTES:  
 1 PACKAGING QUANTITY 5 PIECES  
 2 SPECIAL PACKAGING QUANTITY 50 PIECES  
 3 VARNISH ON THE INSIDE NOT NECESSARY



REV	DATE	DESCRIPTION	MATERIAL	SURFACE	COLOR	ITEM NO.	NOTES
1		HD/HOOD	ALUMINIUM/ALU			44	WITHOUT LOGO/DRILLING
1		HD/HOOD	ALUMINIUM/ALU	SurTec 650	BLANC	43	
1		HD/HOOD	ALUMINIUM/ALU	SurTec 650	BLANC	42	
1		HD/HOOD	ALUMINIUM/ALU		GREY RAL 7001	41	WITHOUT HTS LOGO
1		HD/HOOD	ALUMINIUM/ALU		GREY RAL 7001	40	WITHOUT HTS LOGO
1		HD/HOOD	ALUMINIUM/ALU		GREY RAL 7001	39	
1		CLIP BOLT	STELL	ZINC COATED	BLUE	38	M5
1		HD/HOOD	ALUMINIUM/ALU		GREY RAL 7001	37	WITHOUT HTS LOGO
1		HD/HOOD	ALUMINIUM/ALU		GREY RAL 7001	36	WITHOUT HTS LOGO
1		CENTRAL LOCKING CLIP POSITIONER	STELL	ZINC COATED	BLUE	35	
1		CENTRAL LOCKING CLIP	STELL	ZINC COATED	BLUE	34	
1		HD/HOOD	ALUMINIUM/ALU		GREY RAL 7001	33	
1		HD-EMV/HOOD	ALUMINIUM/ALU	SurTec 650	BLACK RAL 9005	32	
1		HD-K/HOOD	ALUMINIUM/ALU	ALUMINIUM OXIDE	BLACK RAL 9005	31	
1		HD/HOOD	ALUMINIUM/ALU		GREY RAL 7001	30	WITHOUT HTS LOGO
1		HD-K/HOOD	ALUMINIUM/ALU	ALUMINIUM OXIDE	BLACK RAL 9005	29	
1		SLIDE SPOOL	STELL	ZINC COATED	BLUE	28	
1		CLIP BOLT	STELL	ZINC COATED	BLUE	27	
1		PROFILE SEAL	NEOPRENE		BLACK	26	
1		HD/HOOD	ALUMINIUM/ALU		GREY RAL 7001	25	
1		SLIDE SPOOL	STELL	ZINC COATED	BLUE	24	
1		CLIP BOLT	V2A/STAIN.STEEL	BLANK		23	
1		CLIP BOLT	STELL	ZINC COATED	BLUE	22	
1		CLIP SPRING RIGHT	V2A/STAIN.STEEL	BLANK		21	
1		CLIP SPRING RIGHT	STELL	ZINC COATED	BLUE	20	
1		CLIP SPRING LEFT	V2A/STAIN.STEEL	BLANK		19	
1		CLIP SPRING LEFT	STELL	ZINC COATED	BLUE	18	
1		CLIP POSITIONER	V2A/STAIN.STEEL	BLANK		17	
1		CLIP POSITIONER	STELL	ZINC COATED	BLUE	16	
1		LOCKING CLIP	V2A/STAIN.STEEL	BLANK		15	
1		LOCKING CLIP	STELL	ZINC COATED	BLUE	14	
1		CLIP BOLT	V2A/STAIN.STEEL	BLANK		13	
1		HD-K/HOOD	ALUMINIUM/ALU	ALUMINIUM OXIDE	BLACK RAL 9005	12	
1		HD/HOOD	ALUMINIUM/ALU		GREY RAL 7001	11	
1		HD/HOOD	ALUMINIUM/ALU		GREY RAL 7001	10	
1		HD/HOOD	ALUMINIUM/ALU		GREY RAL 7001	9	
1		HD-K/HOOD	ALUMINIUM/ALU	ALUMINIUM OXIDE	BLACK RAL 9005	8	
1		HD/HOOD	ALUMINIUM/ALU		GREY RAL 7001	7	WITHOUT HTS LOGO
1		HD/HOOD	ALUMINIUM/ALU		GREY RAL 7001	6	WITHOUT HTS LOGO
1		HD/HOOD	ALUMINIUM/ALU		GREY RAL 7001	5	
1		HD/HOOD	ALUMINIUM/ALU		GREY RAL 7001	4	
1		HD-K/HOOD	ALUMINIUM/ALU	ALUMINIUM OXIDE	BLACK RAL 9005	3	
1		HD/HOOD	ALUMINIUM/ALU		GREY RAL 7001	2	
1		HD/HOOD	ALUMINIUM/ALU		GREY RAL 7001	1	

THIS DRAWING IS A CONTROLLED DOCUMENT. DATE: 18.06.2002. BY: Schneider. CHK: Schneider. APPD: Schneider.

STE TE Connectivity

HOOD HD 24

SCALE: 5:1

CUSTOMER DRAWING

## X-ON Electronics

Largest Supplier of Electrical and Electronic Components

*Click to view similar products for [Heavy Duty Power Connectors](#) category:*

*Click to view products by [TE Connectivity](#) manufacturer:*

Other Similar products are found below :

[647757-1](#) [6643411-1](#) [6646058-2](#) [6646137-1](#) [6646138-1](#) [6646479-1](#) [6646608-1](#) [6646786-1](#) [6646940-1](#) [6651091-1](#) [6651525-1](#) [6651529-1](#)  
[6651788-1](#) [696475-1](#) [702-32-01109](#) [703-25-02205](#) [73000005059](#) [73000005642](#) [73080255059](#) [73080965046](#) [765-15-0080A](#) [765-16-0080B](#)  
[765-18-0080D](#) [829992-1](#) [902-77-02113](#) [PS00/A0620/6300](#) [PS25/A0420/63](#) [129-1J](#) [1409400](#) [AN0024023](#) [E6374G1](#) [e6389g2](#) [157-43GW8](#)  
[MS3117-14AC](#) [1643543-1](#) [1650540-1](#) [1651811-2](#) [1766260-1](#) [1766282-1](#) [1766966-1](#) [1791340000](#) [NLDFT-3-BL-L-S120-M40A](#) [NLDFT-N-](#)  
[W-L-C240-M40B](#) [NLS-2-R-C240-M40B](#) [NLS-N-W-C240-M40B](#) [NPS-3-BL-T6](#) [1986615-1](#) [2-1589900-8](#) [2199314-1](#) [KA8102](#)