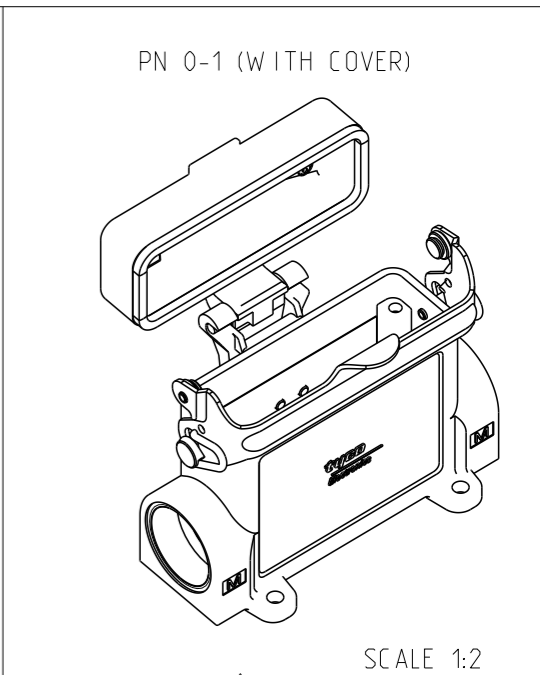
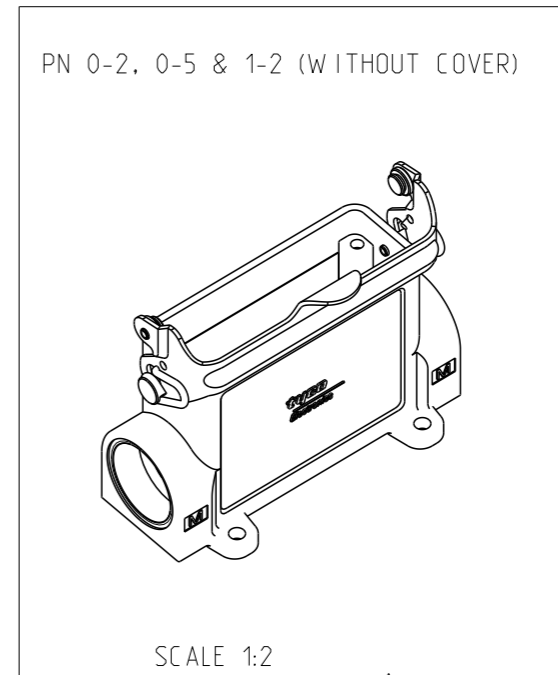
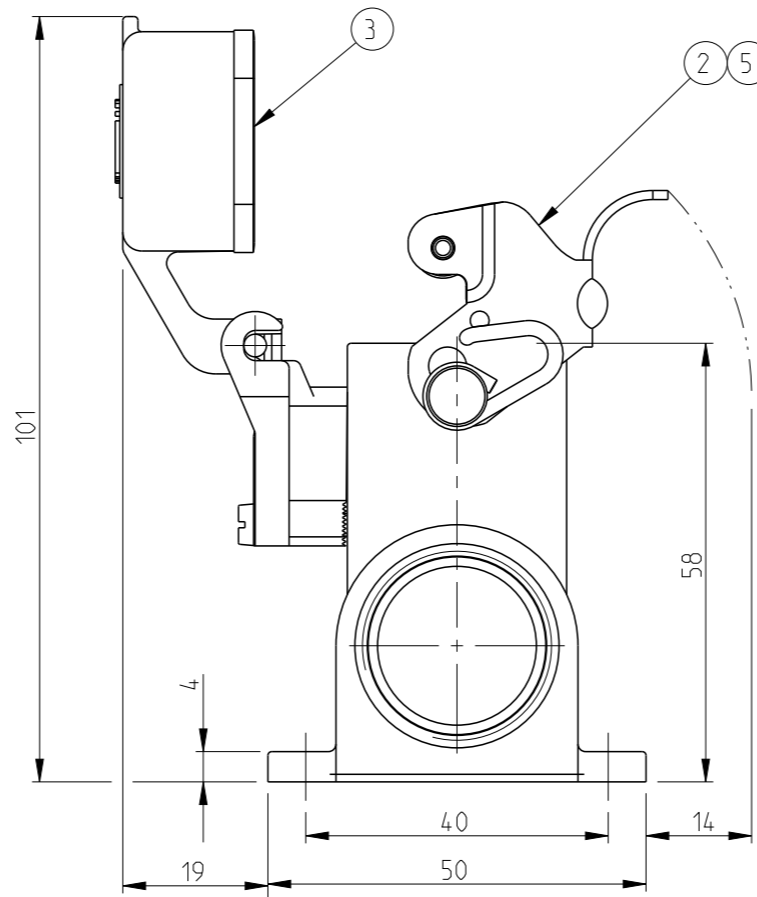
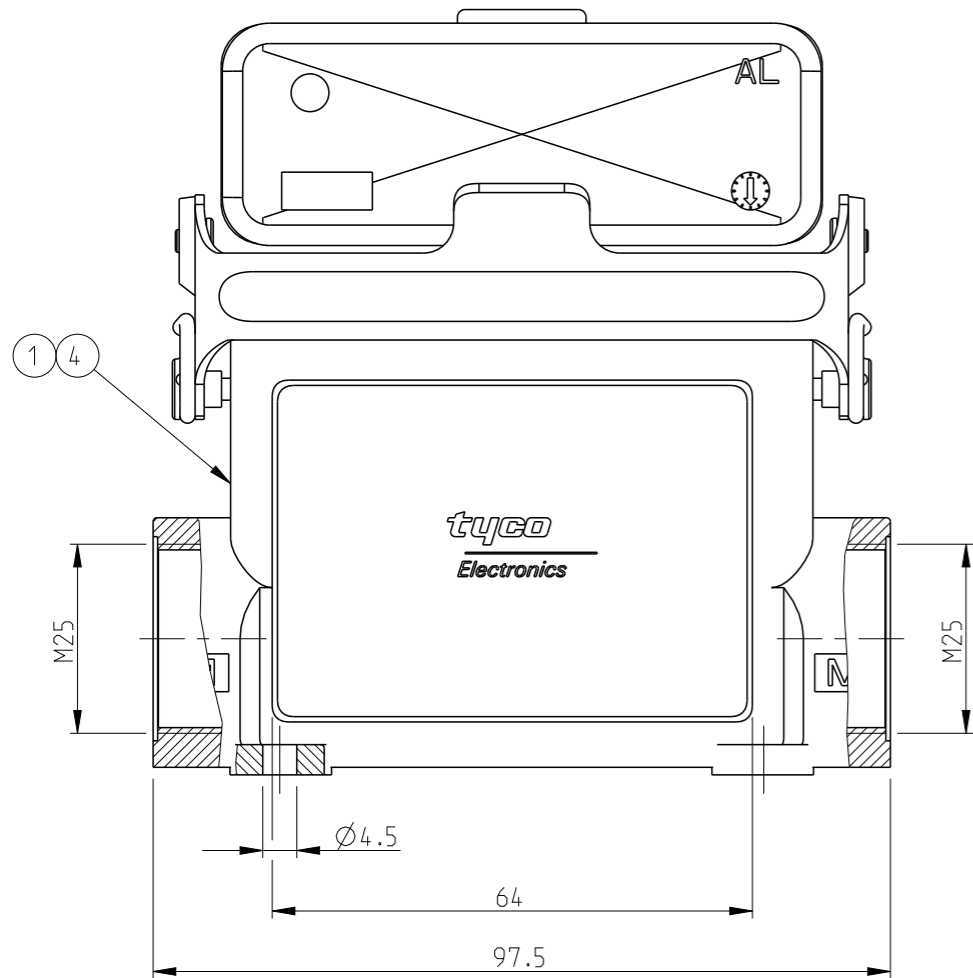


| P | LTR | DESCRIPTION               | DATE      | DWN | APVD |
|---|-----|---------------------------|-----------|-----|------|
|   | B5  | REVISED PER ECR-17-014013 | 12FEB2018 | SRG | MK0  |
|   |     |                           |           |     |      |
|   |     |                           |           |     |      |



- NOTES:
- 1 MATERIAL: SEE TABLE
  - 2 SURFACE: SEE TABLE
  - 3 VARNISH ON THE INSIDE NOT NECESSARY
  - 4 PACKAGING QUANTITY: 5 PIECES PER BOX
  - 5 SPECIAL PACKING

| QTY | 5   | OBSOLETE | OBSOLETE | DESCRIPTION                             | MATERIAL        | SURFACE         | COLOR | ITEM NO. | REMARKS  |
|-----|-----|----------|----------|---|-----------------|-----------------|-------|----------|----------|
| 1   | -   | -        | -        | CLIP                                    | STAINLESS STEEL | BLANK           | -     | 5        |          |
| 1   | -   | -        | -        | SURFACE MOUNTED HOUSING-SIDE ENTRY HD-K | ALUMINIUM       | ALUMINIUM OXIDE | BLACK | 4        |          |
| -   | -   | -        | 1        | COVER                                   | ALUMINIUM       | -               | GREY  | 3        |          |
| -   | 1   | 1        | 1        | CLIP                                    | STEEL           | ZINC PLATED     | BLUE  | 2        |          |
| -   | 1   | 1        | 1        | SURFACE MOUNTED HOUSING-SIDE ENTRY HD   | ALUMINIUM       | -               | GREY  | 1        |          |
| 1-2 | 0-5 | 0-2      | 0-1      | ORDERING TEXT                           |                 |                 |       |          |          |
|     |     |          |          | HD25.SGD-LB.2.M25.Z                     |                 |                 |       |          | OBSOLETE |
|     |     |          |          | HD25.SG-LB.2.M25.Z                      |                 |                 |       |          |          |
|     |     |          |          | HD25.SG-LB.2.M25.Z.KM                   |                 |                 |       |          |          |
|     |     |          |          | HD-K.25.SG-LB.1.M25.Z                   |                 |                 |       |          |          |

THIS DRAWING IS A CONTROLLED DOCUMENT.

DWN: S.KUMAR 4/24/2006  
 CHK: P.BENNUR 4/24/2006  
 APVD: T.SCHNURPFEL 4/24/2006

TE Connectivity

NAME: SURFACE MOUNTED HOUSING SIDE ENTRY HD25.SG/SGD-LB.2.M25.Z

PRODUCT SPEC: 108-74009  
 APPLICATION SPEC: 114-74004  
 WEIGHT: -

SIZE: A3 CAGE CODE: 00779 DRAWING NO: C=1106441 RESTRICTED TO: -

CUSTOMER DRAWING SCALE: 1:1 SHEET: 1 OF 1 REV: B5

|                      |   |
|----------------------|---|
| DIMENSIONS: mm       | TOLERANCES UNLESS OTHERWISE SPECIFIED:<br>n. ISO 8015<br>n. ISO 2768-mH-E<br>n. DIN 16901-120 |
|                      | 0 PLC ±<br>1 PLC ±<br>2 PLC ±<br>3 PLC ±<br>4 PLC ±<br>ANGLES ±                               |
| MATERIAL: material_2 | FINISH: finish_spec_2   |

## X-ON Electronics

Largest Supplier of Electrical and Electronic Components

*Click to view similar products for [RF Cable Assemblies](#) category:*

*Click to view products by [TE Connectivity](#) manufacturer:*

Other Similar products are found below :

[573/2](#) [73-6311-6](#) [73-6353-3](#) [73-6364-6](#) [MDB1-9SH001](#) [MDM-15PH003L-K139](#) [MDM-21PH003L-K139](#) [MIKQ6-7SH076](#) [R288940005](#)  
[RMTB1-6PHY0102](#) [145111-05-12.00](#) [2192](#) [CA-628485-A43](#) [24P104C24J1-012](#) [24P104C24P1-006](#) [24P104C24P1-018](#) [24P203C24P2-006](#)  
[24P204C24J1-003](#) [172-2150-EX](#) [1800920920914PJ](#) [FCB-3030-ALT](#) [21117-046](#) [21117-050](#) [PCX-24-50](#) [24P103C24P2-003](#) [25P203C25P2-](#)  
[003](#) [R284008001](#) [R285001021](#) [R285426000](#) [R288940003](#) [R288940008](#) [RF179-74BJ3-77RP1-0305](#) [RMTB1-15PHY0102](#) [RMTB1-](#)  
[8PHY0102](#) [4814-BB-24](#) [500-181-R-ACC](#) [5260-72](#) [314-120](#) [JR4N1-CL1-6F](#) [JR4R3-CL1-4F](#) [JT2N1-CL1-1F](#) [JT2T1-CL1-6F](#) [4814-K-48](#)  
[RN-UFL-SMA6](#) [100E151JW3600X](#) [CCNTN2-MM-LL335-26](#) [73-6310-50](#) [73-6351-25](#) [73-6353-25](#) [73-6361-25](#)