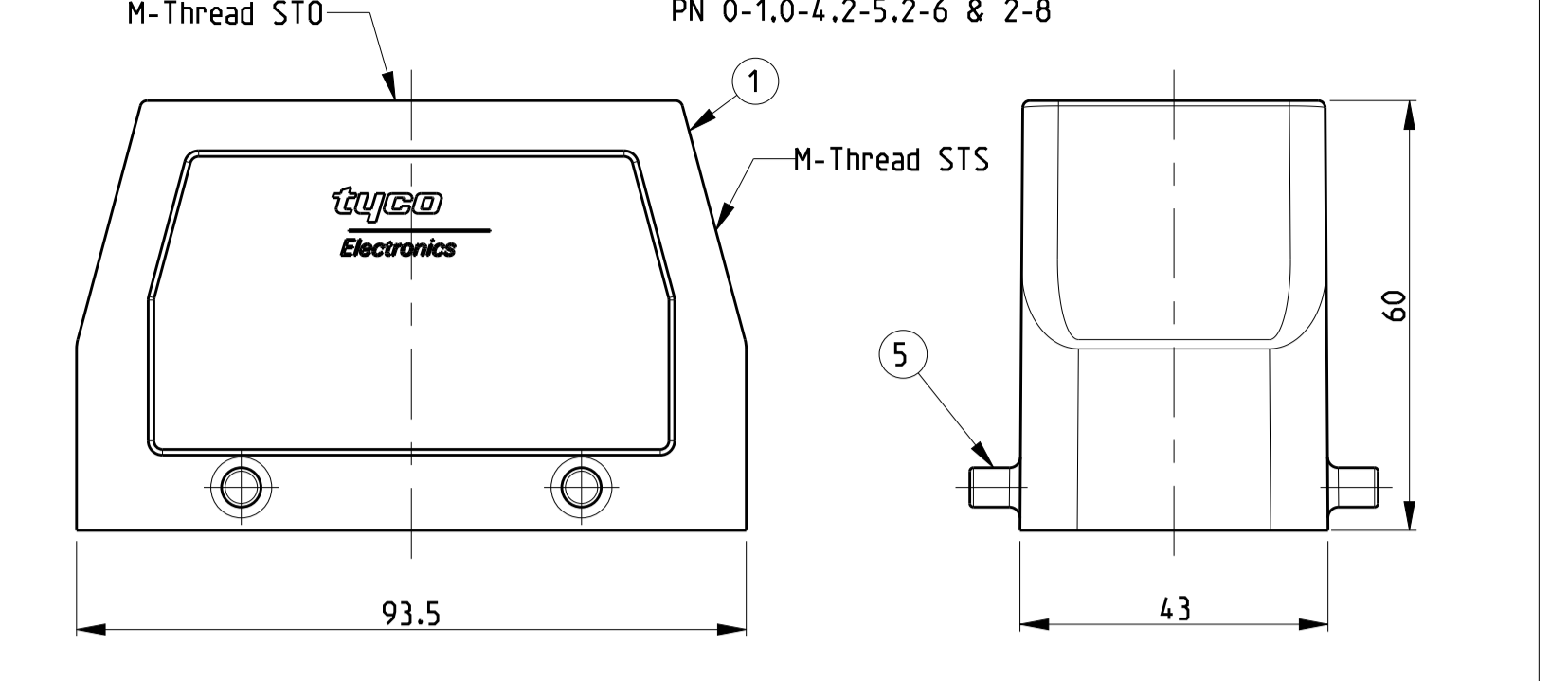
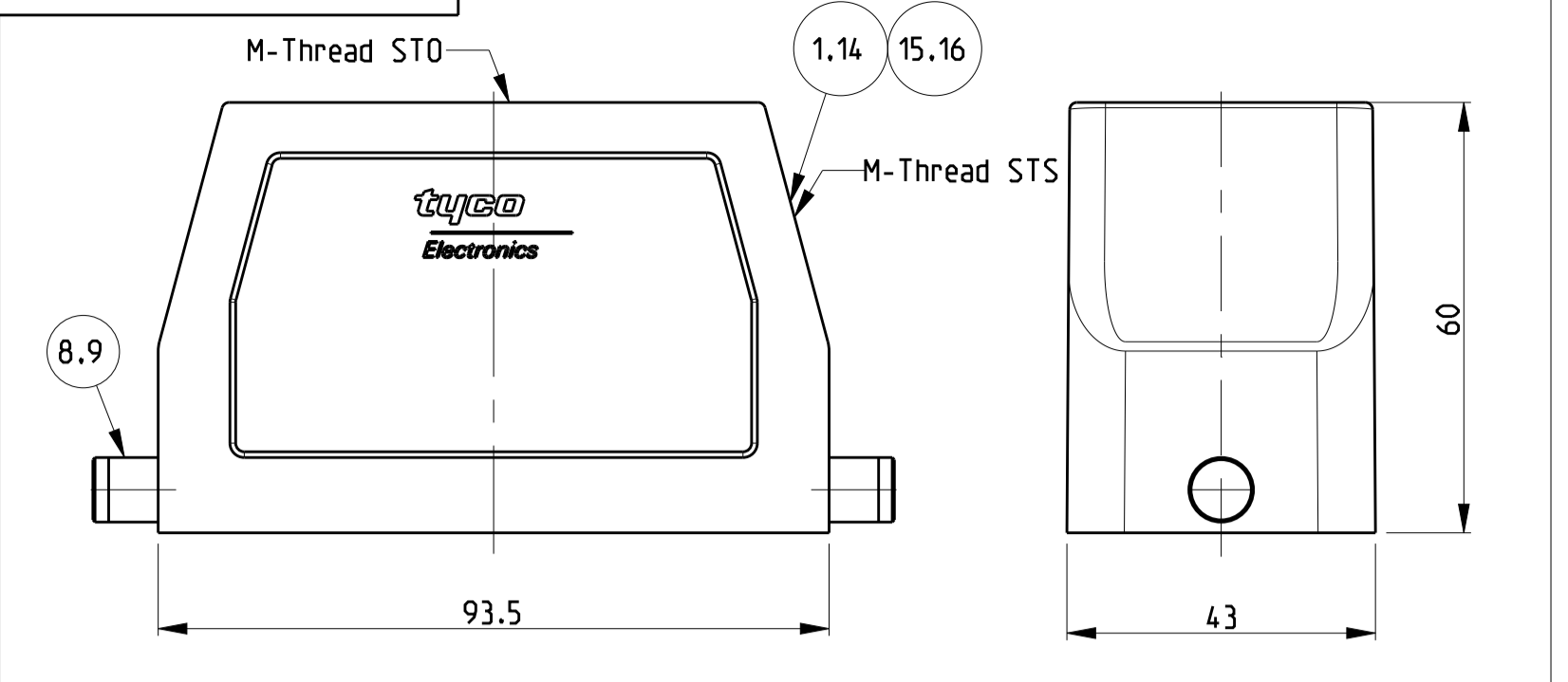
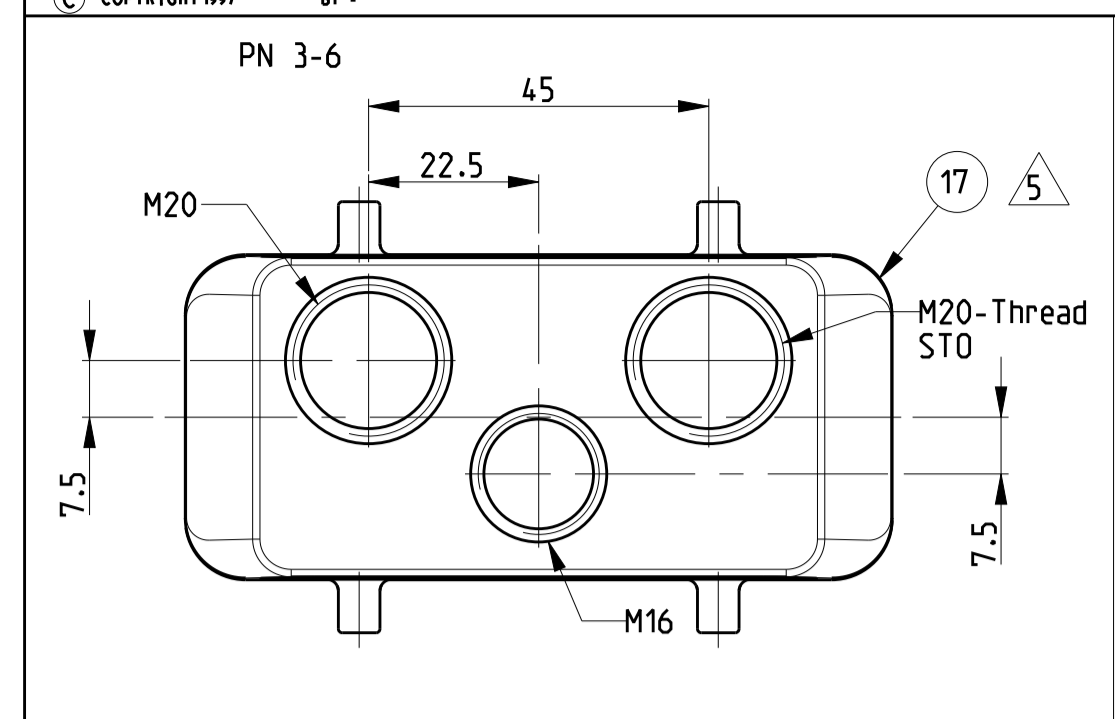
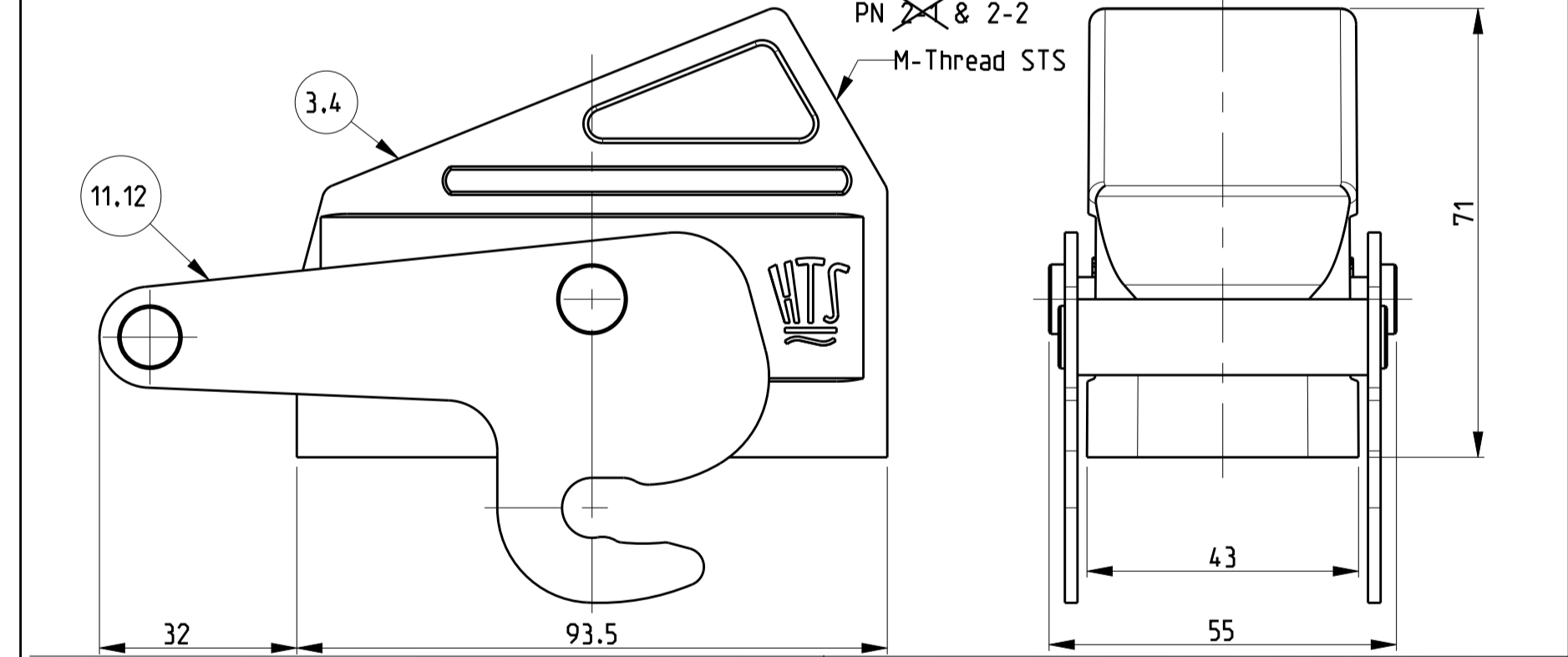
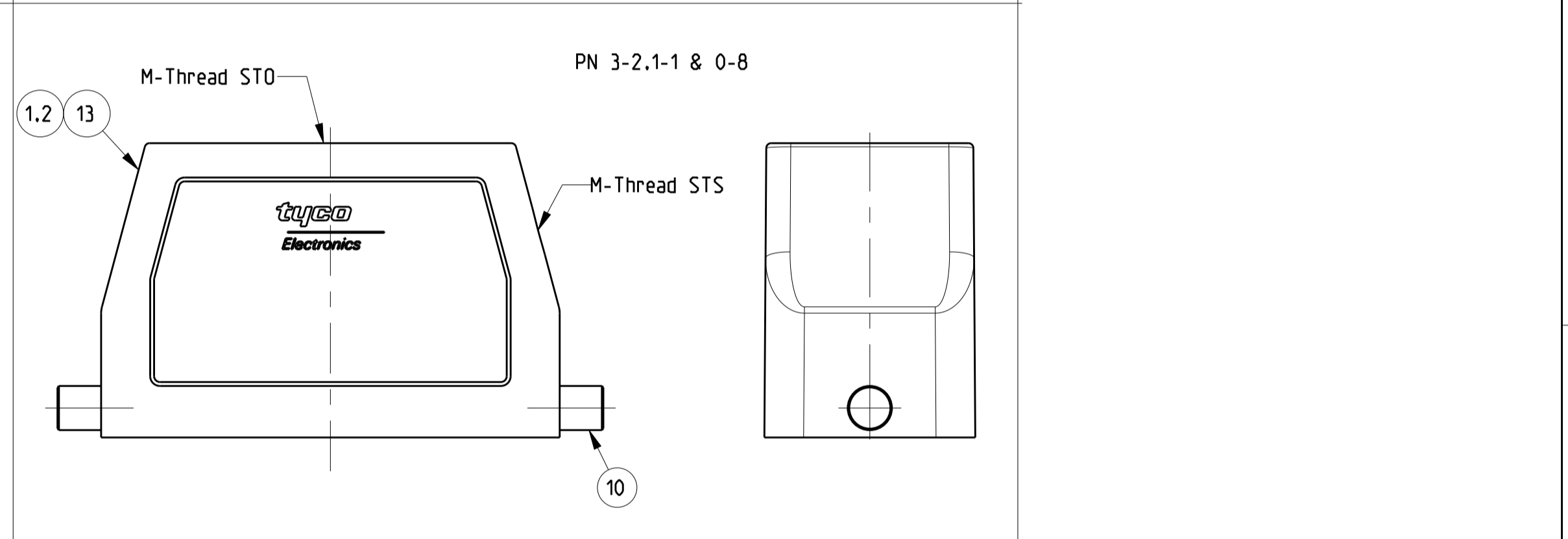
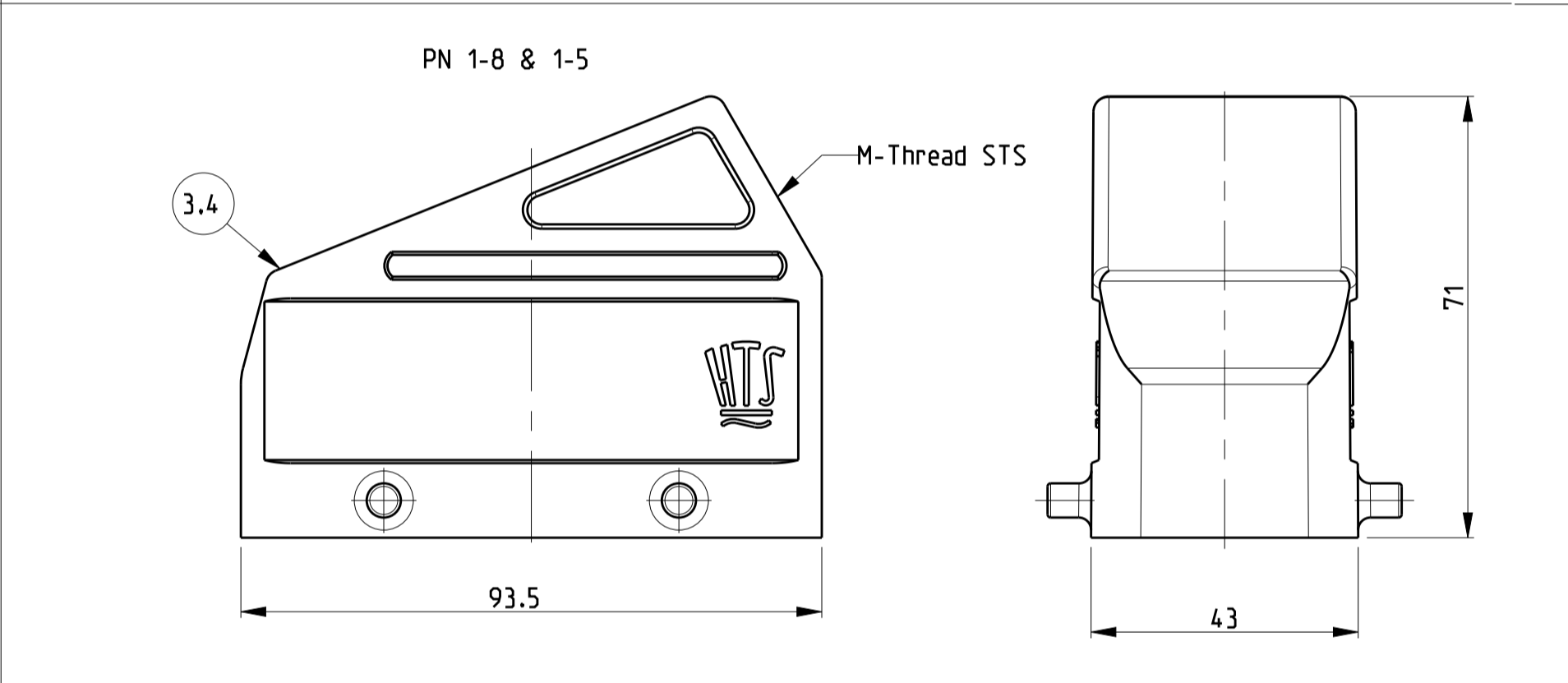
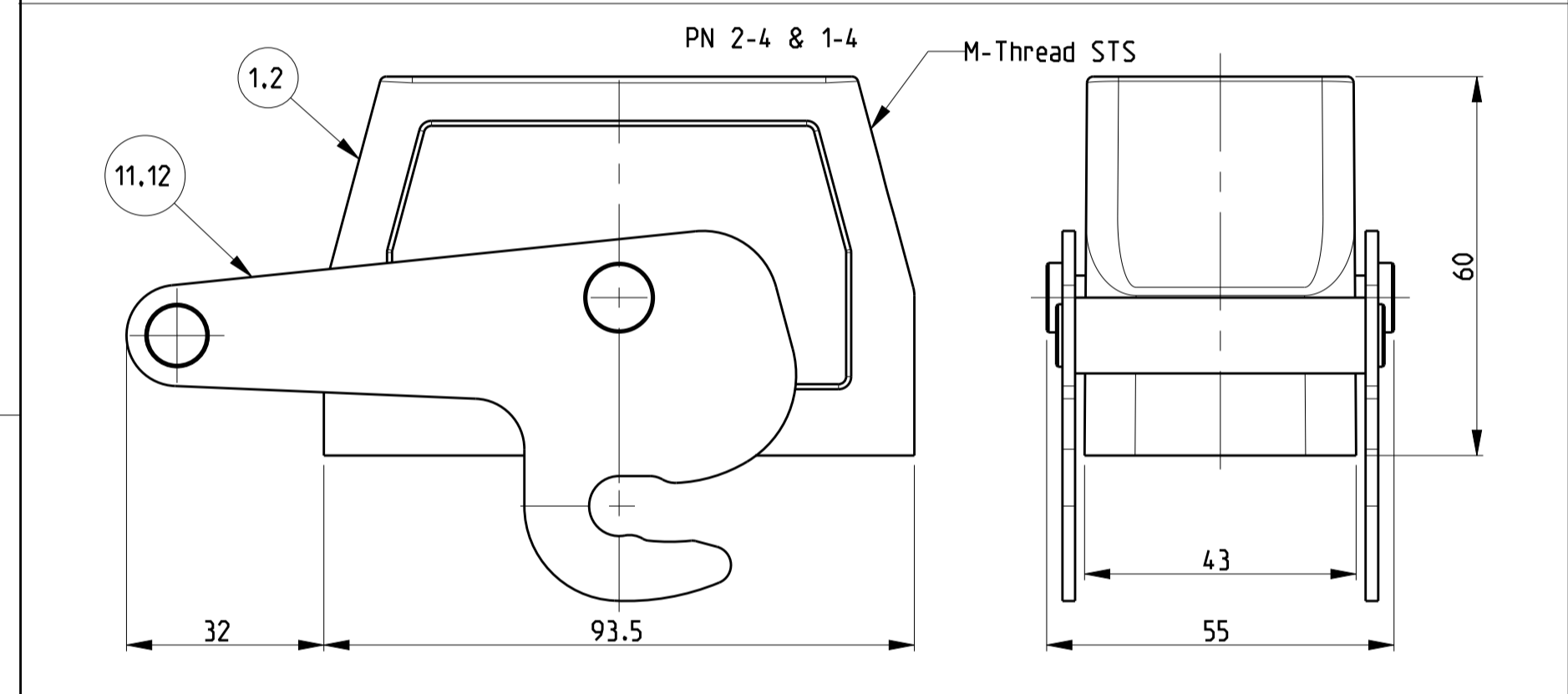
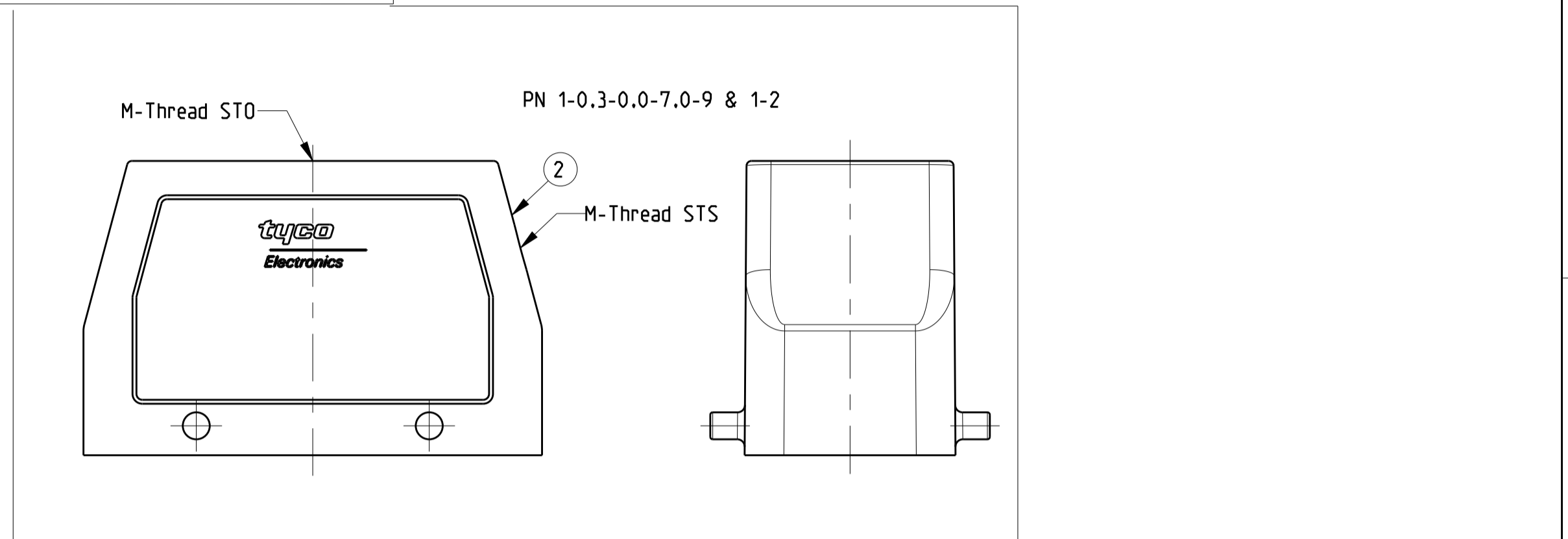
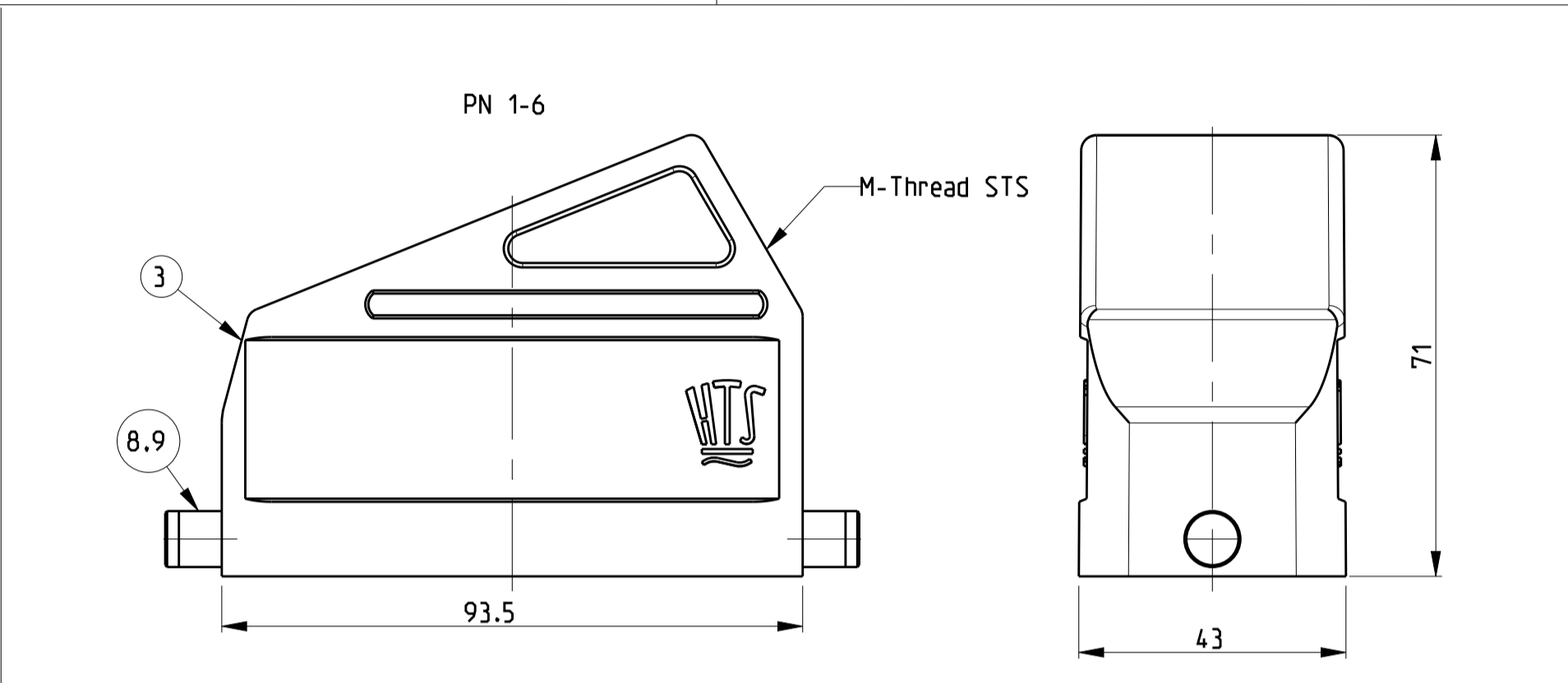
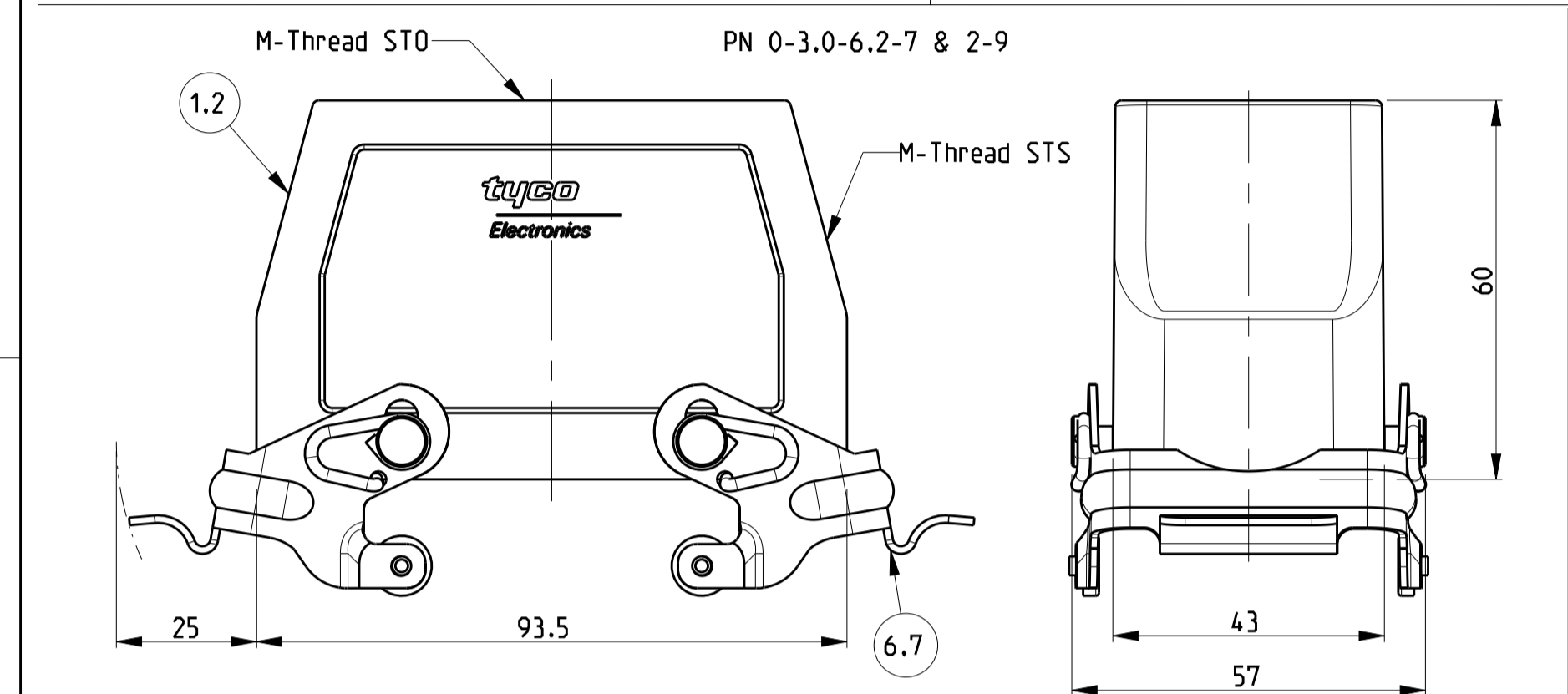


REVISIONS				
P	LTR	DESCRIPTION	DATE	APPV
B4		ECR-15-016632	28NOV2016	GCM MKO

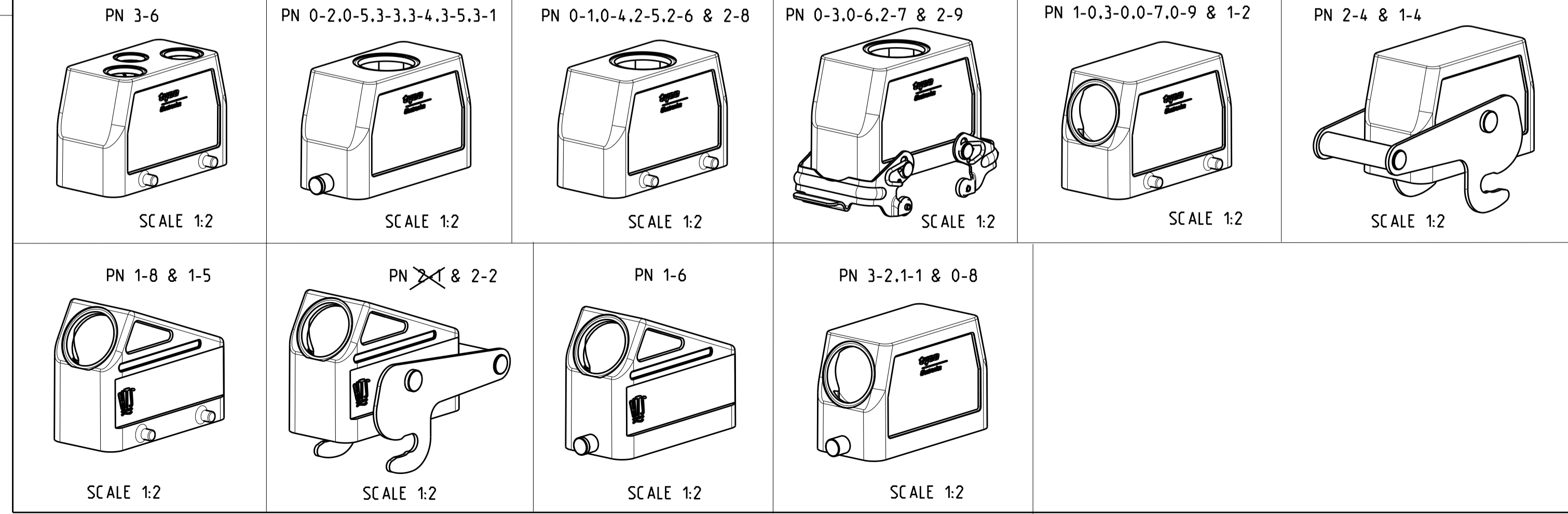


NOTES

- Surface: - Powder varnish grey  
 - Aluminium oxide - Varnish black  
 - Chromital TCP passivation - varnish black
- Varnish on the inside not necessary
- Packaging  
 Packaging quantity 5 piece in a box
- Special Packaging



ITEM NO	DESCRIPTION	MATERIAL	SURFACE	COLOR	ITEM NO	NOTES
17	HB Hood	Aluminium		Grey	17	5
16	HB-EMV Hood	Aluminium	SEE NOTE 1	Black	16	
15	HB Hood	Aluminium		Grey	15	
14	HB Hood	Aluminium		Fire red, RAL 3000	14	
13	HB-EMV Hood	Aluminium	SEE NOTE 1	Black	13	
12	ZB-Clip bolt	Stainless steel	Blank	With out varnish	12	
11	ZB-Clip bolt	Steel	Zinc plated	Blue	11	
10	LB-Clip bolt	Stainless steel	Blank		10	
9	LB-Clip bolt	Steel	Zinc plated	Blue	9	
8	LB-Side clip	Steel	Zinc plated	Blue	8	
7	VS-Locking Clip	Stainless steel	Blank		7	
6	VS-Locking Clip	Steel	Zinc plated	Blue	6	
5	VS-Clip bolt	Stainless steel	Blank		5	
4	HB-K Hood	Aluminium	Aluminium oxide	Black	4	
3	HB Hood	Aluminium		Grey	3	
2	HB-K Hood	Aluminium	Aluminium oxide	Black	2	
1	HB Hood	Aluminium		Grey	1	



ITEM NO	DESCRIPTION	MATERIAL	SURFACE	COLOR	ITEM NO	NOTES
17	HB Hood	Aluminium		Grey	17	5
16	HB-EMV Hood	Aluminium	SEE NOTE 1	Black	16	
15	HB Hood	Aluminium		Grey	15	
14	HB Hood	Aluminium		Fire red, RAL 3000	14	
13	HB-EMV Hood	Aluminium	SEE NOTE 1	Black	13	
12	ZB-Clip bolt	Stainless steel	Blank	With out varnish	12	
11	ZB-Clip bolt	Steel	Zinc plated	Blue	11	
10	LB-Clip bolt	Stainless steel	Blank		10	
9	LB-Clip bolt	Steel	Zinc plated	Blue	9	
8	LB-Side clip	Steel	Zinc plated	Blue	8	
7	VS-Locking Clip	Stainless steel	Blank		7	
6	VS-Locking Clip	Steel	Zinc plated	Blue	6	
5	VS-Clip bolt	Stainless steel	Blank		5	
4	HB-K Hood	Aluminium	Aluminium oxide	Black	4	
3	HB Hood	Aluminium		Grey	3	
2	HB-K Hood	Aluminium	Aluminium oxide	Black	2	
1	HB Hood	Aluminium		Grey	1	

## X-ON Electronics

Largest Supplier of Electrical and Electronic Components

*Click to view similar products for [Heavy Duty Power Connectors](#) category:*

*Click to view products by [TE Connectivity](#) manufacturer:*

Other Similar products are found below :

[647757-1](#) [6643411-1](#) [6646058-2](#) [6646137-1](#) [6646138-1](#) [6646479-1](#) [6646608-1](#) [6646786-1](#) [6646940-1](#) [6651091-1](#) [6651525-1](#) [6651529-1](#)  
[6651788-1](#) [696475-1](#) [702-32-01109](#) [703-25-02205](#) [73000005059](#) [73000005642](#) [73080255059](#) [73080965046](#) [765-15-0080A](#) [765-16-0080B](#)  
[765-18-0080D](#) [829992-1](#) [902-77-02113](#) [PS00/A0620/6300](#) [PS25/A0420/63](#) [129-1J](#) [1409400](#) [AN0024023](#) [E6374G1](#) [e6389g2](#) [157-43GW8](#)  
[MS3117-14AC](#) [1643543-1](#) [1650540-1](#) [1651811-2](#) [1766260-1](#) [1766282-1](#) [1766966-1](#) [1791340000](#) [NLDFT-3-BL-L-S120-M40A](#) [NLDFT-N-](#)  
[W-L-C240-M40B](#) [NLS-2-R-C240-M40B](#) [NLS-N-W-C240-M40B](#) [NPS-3-BL-T6](#) [1986615-1](#) [2-1589900-8](#) [2199314-1](#) [KA8102](#)