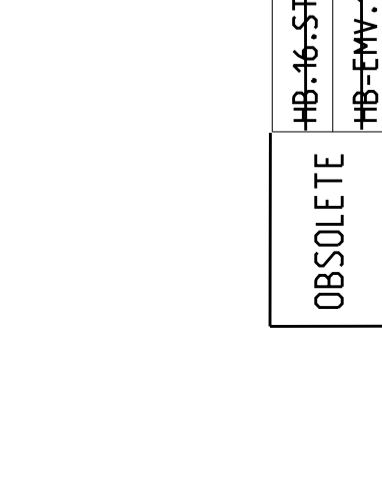
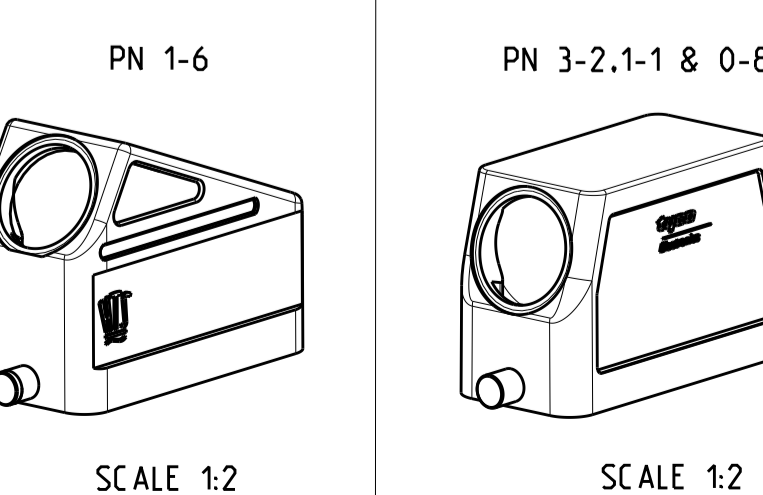
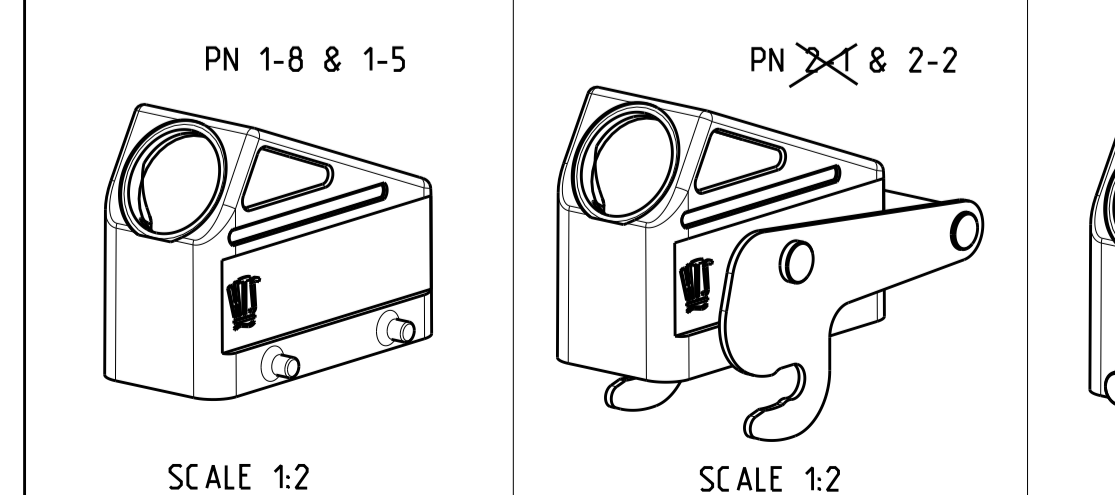
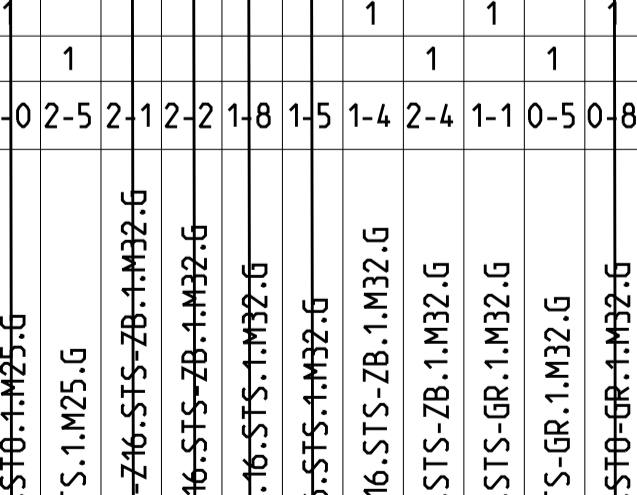
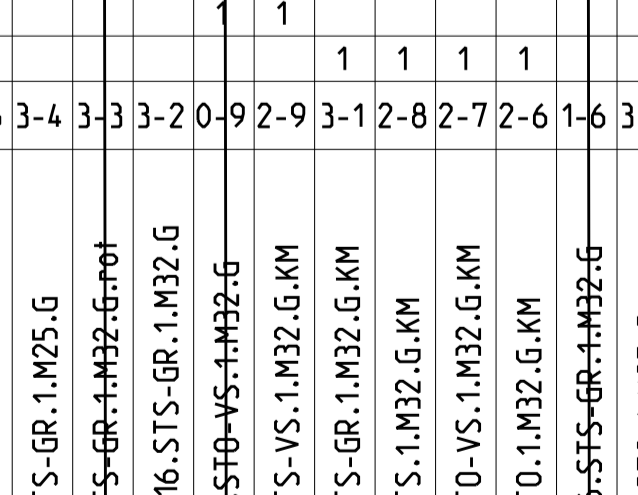
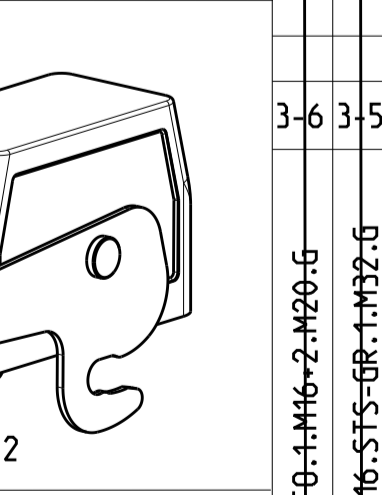
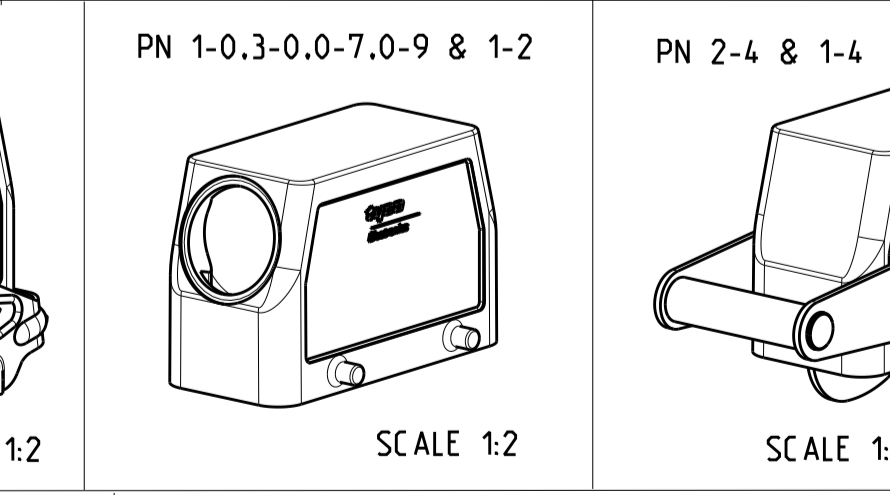
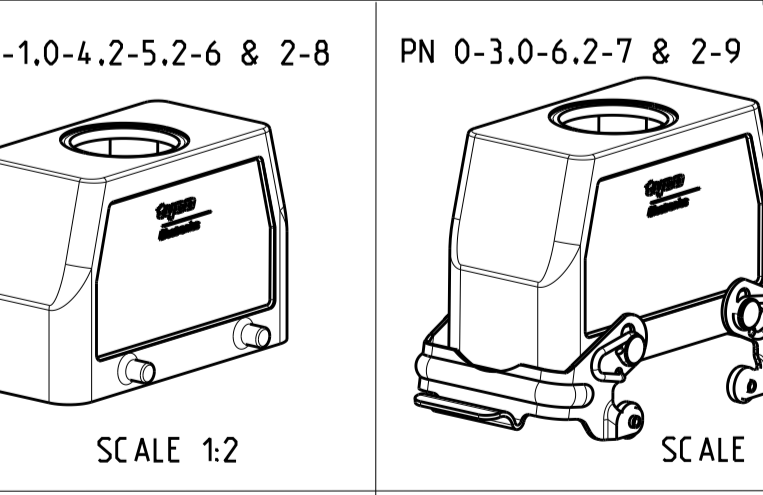
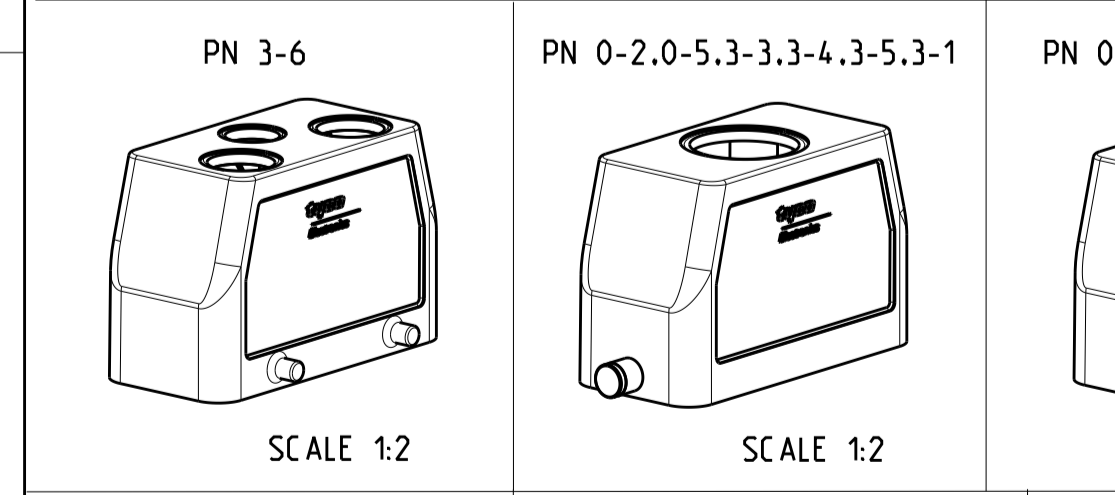
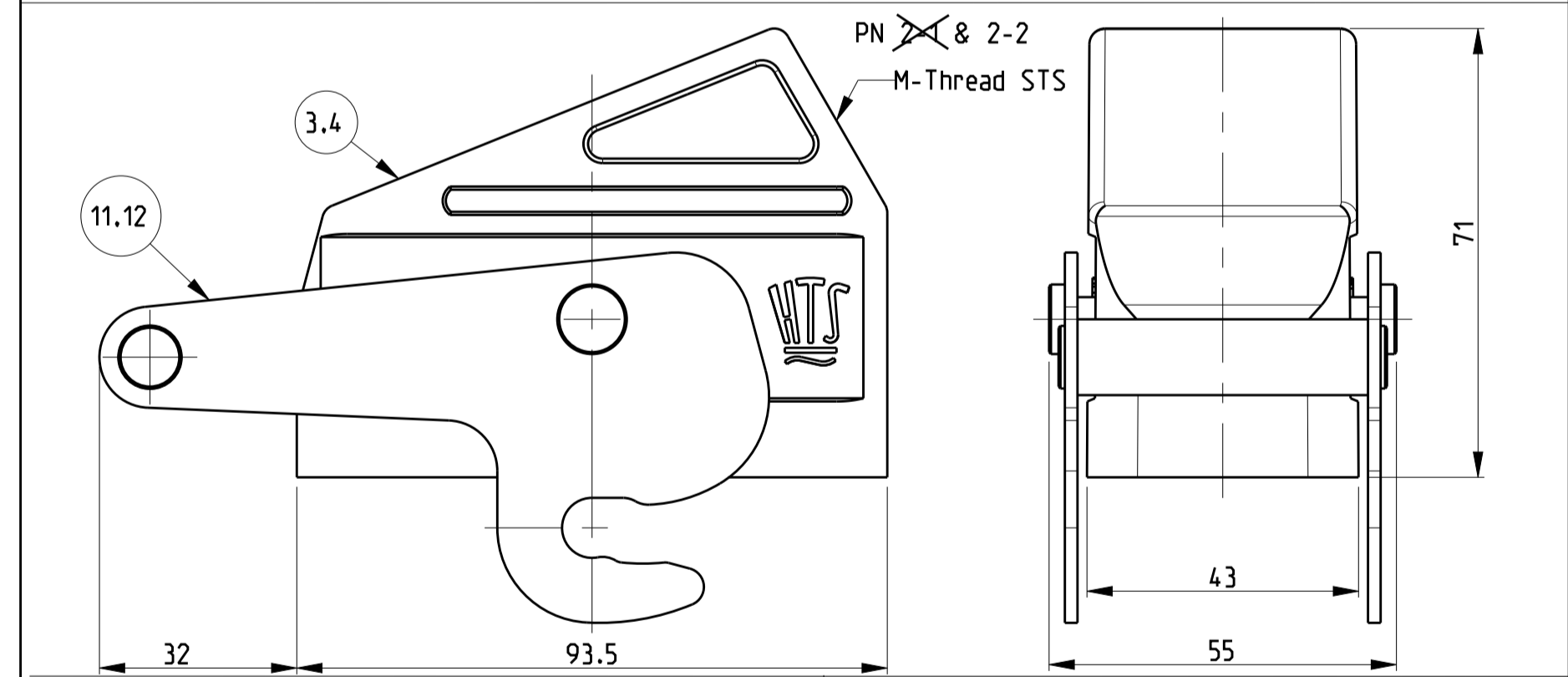
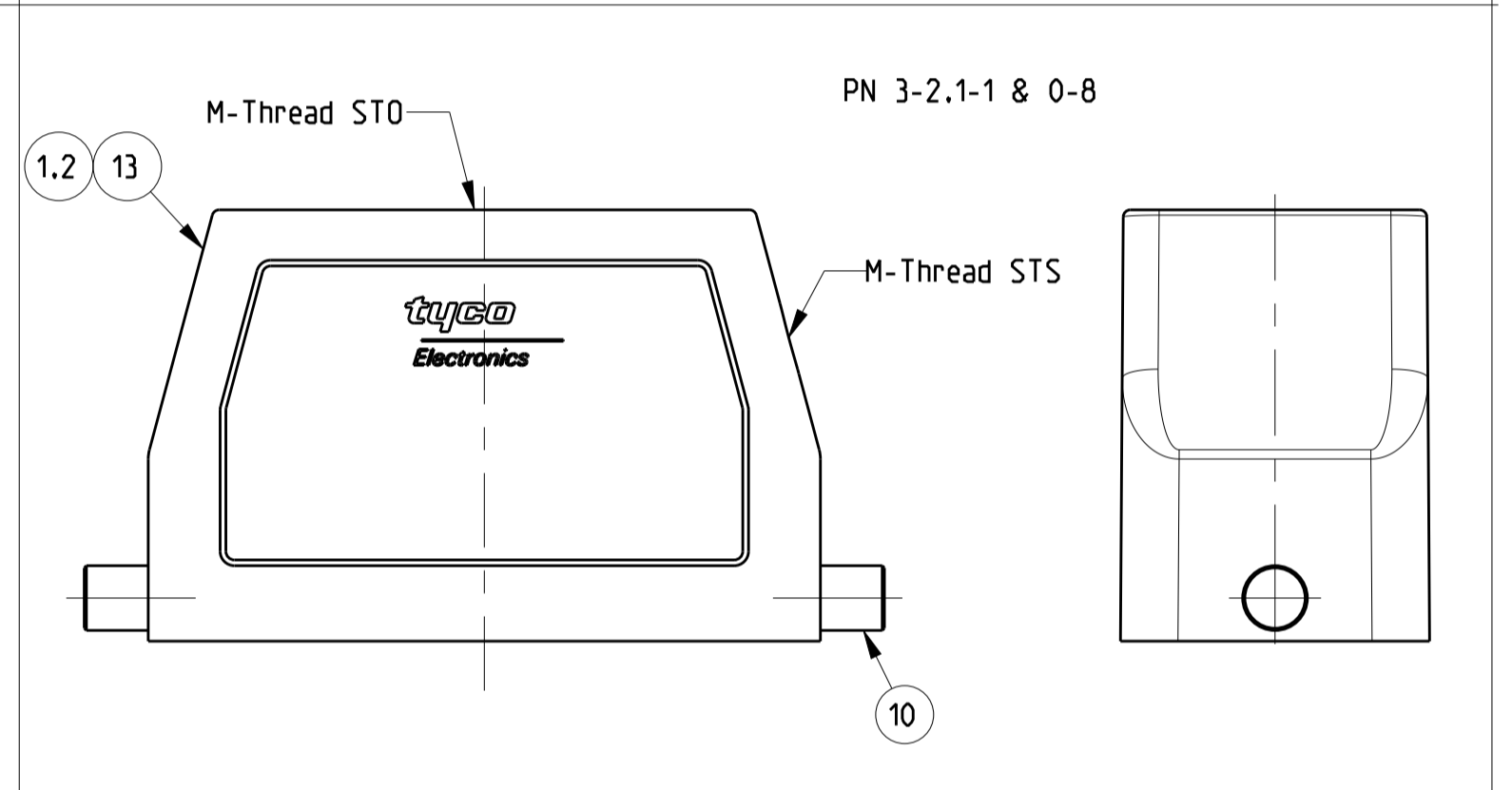
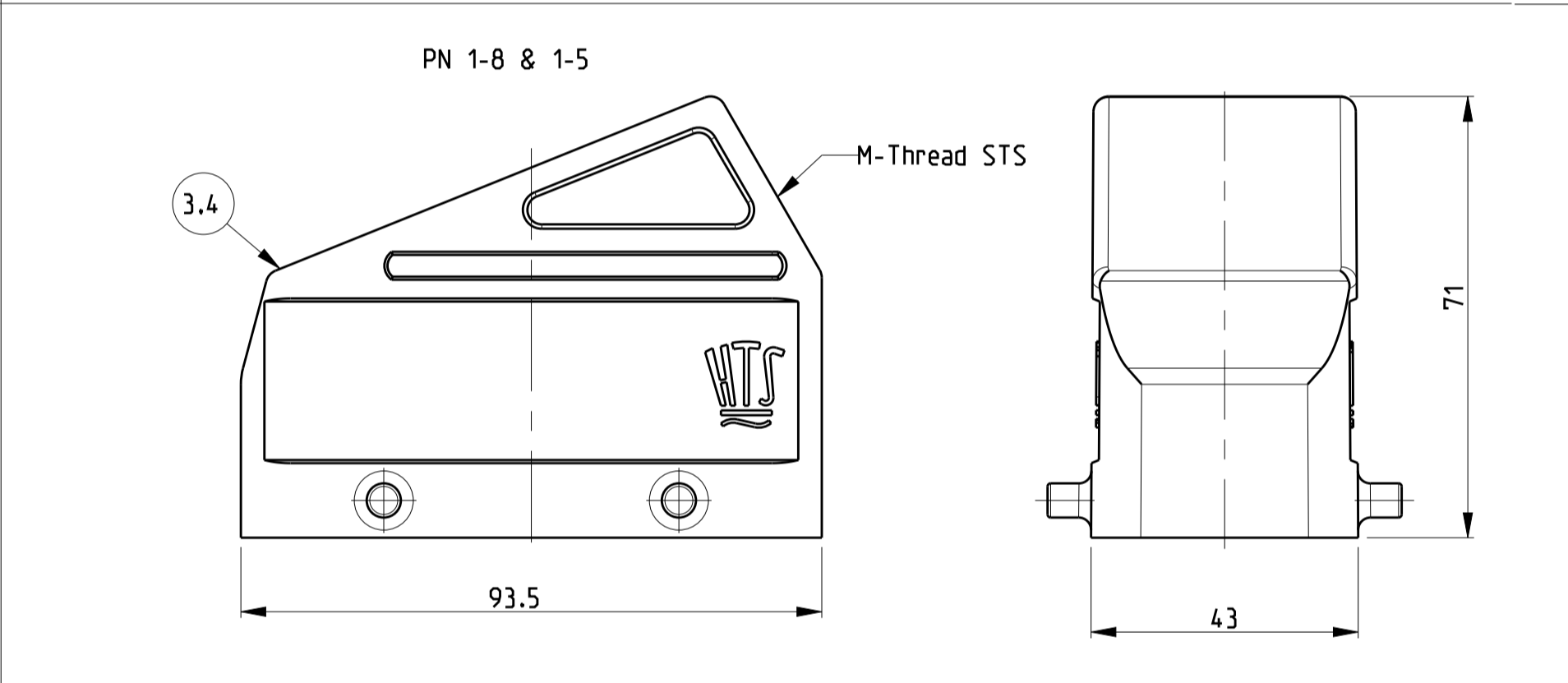
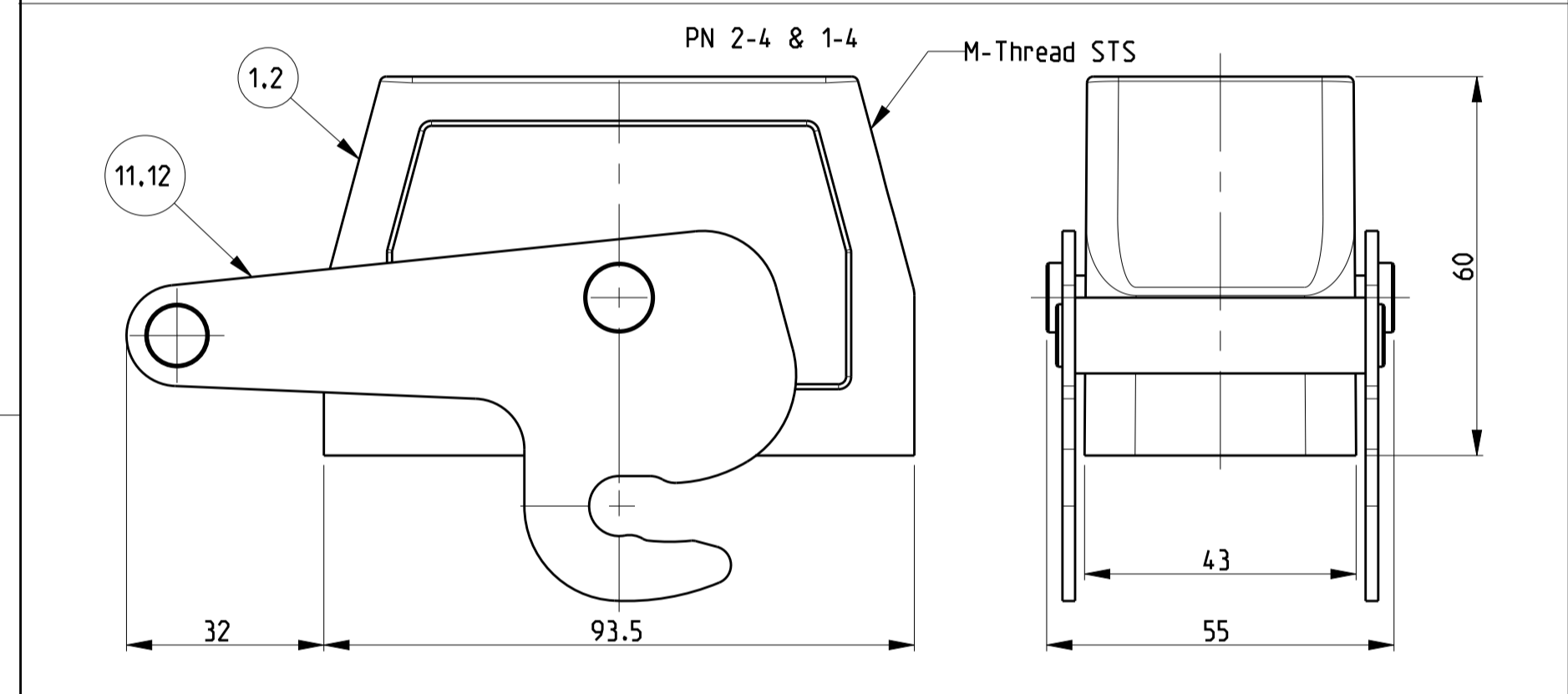
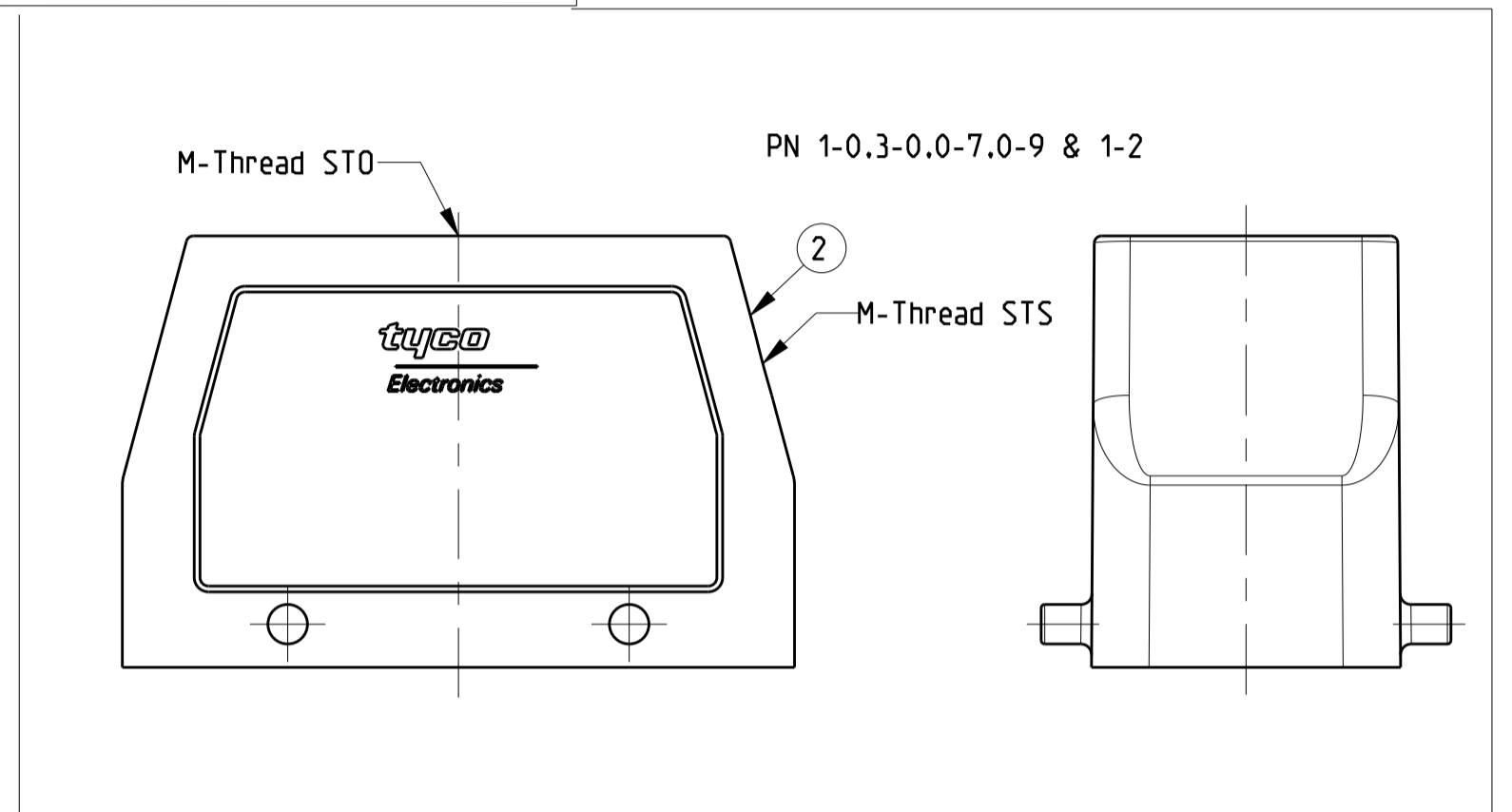
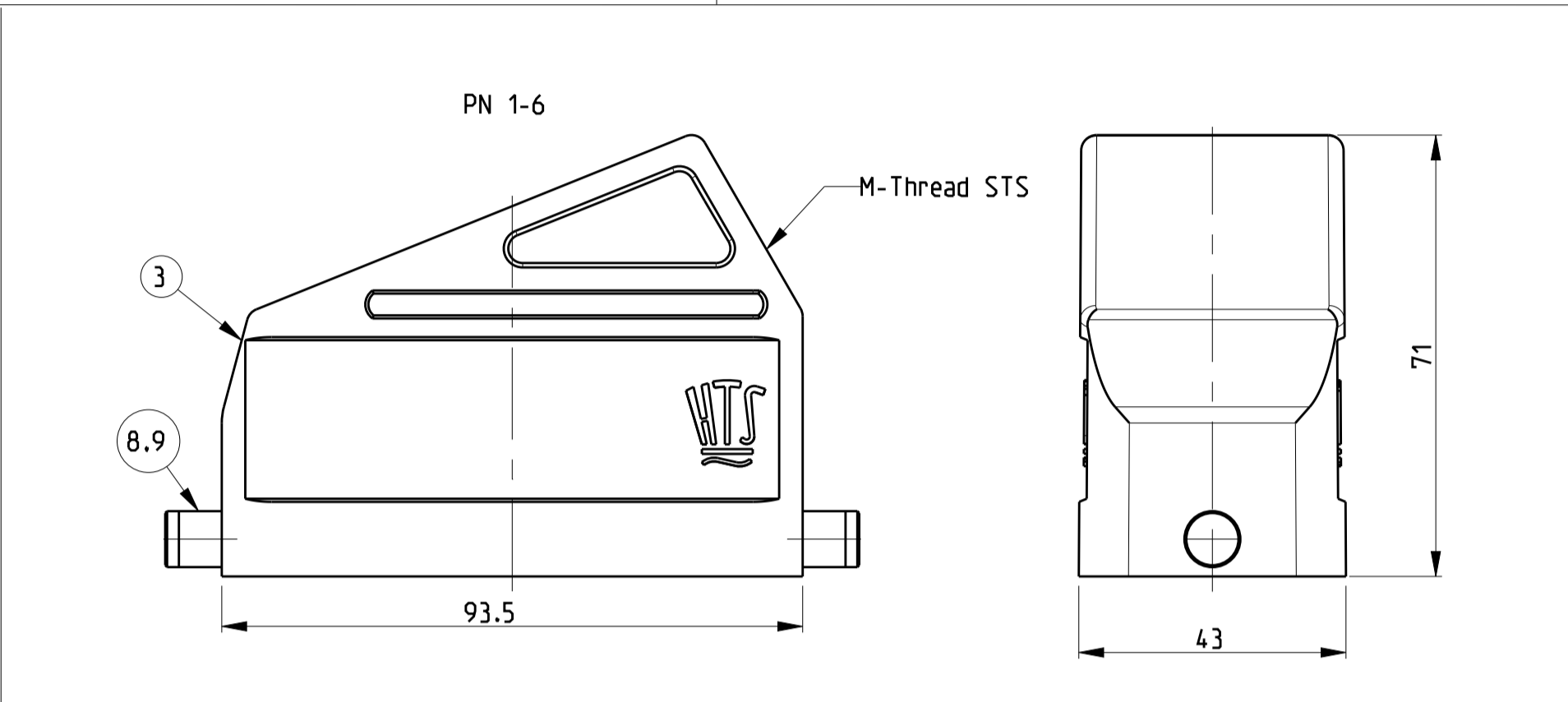
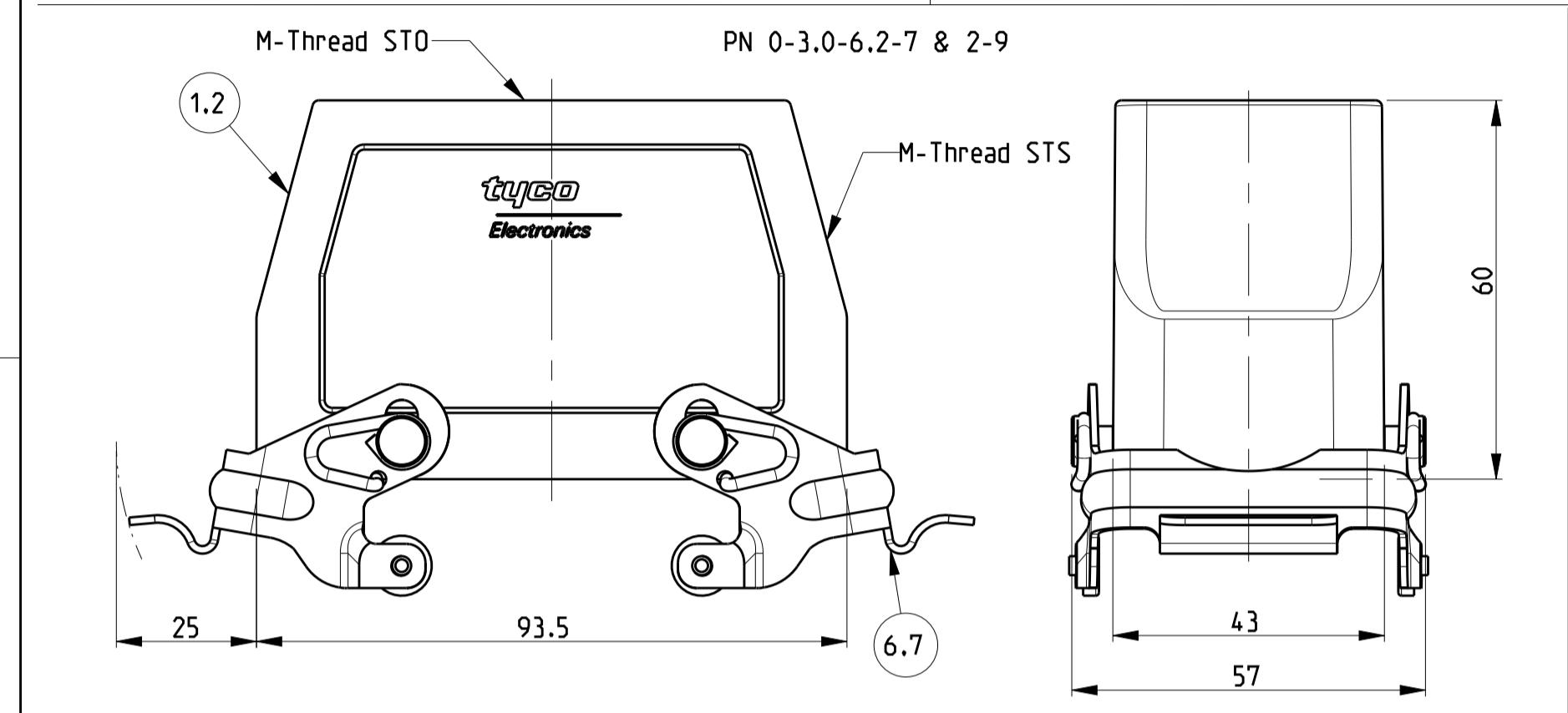
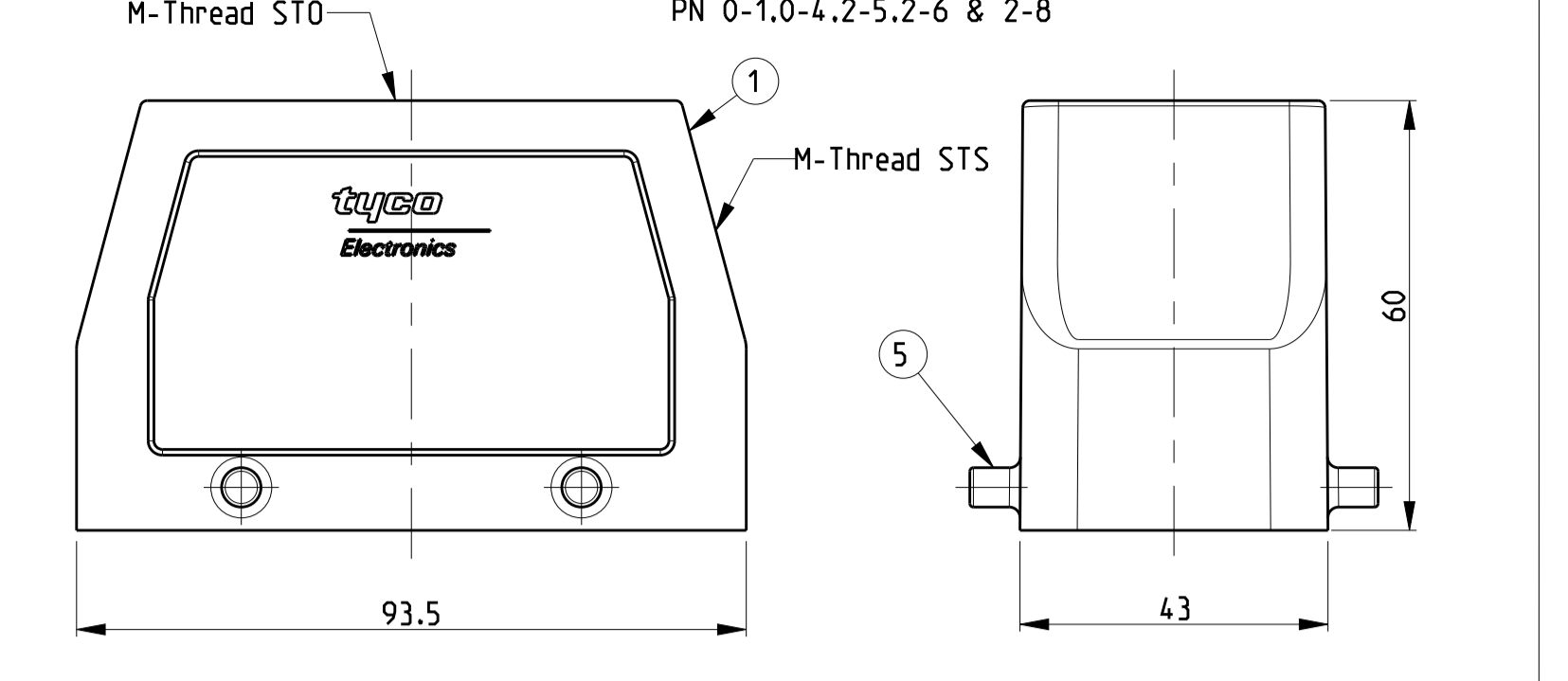
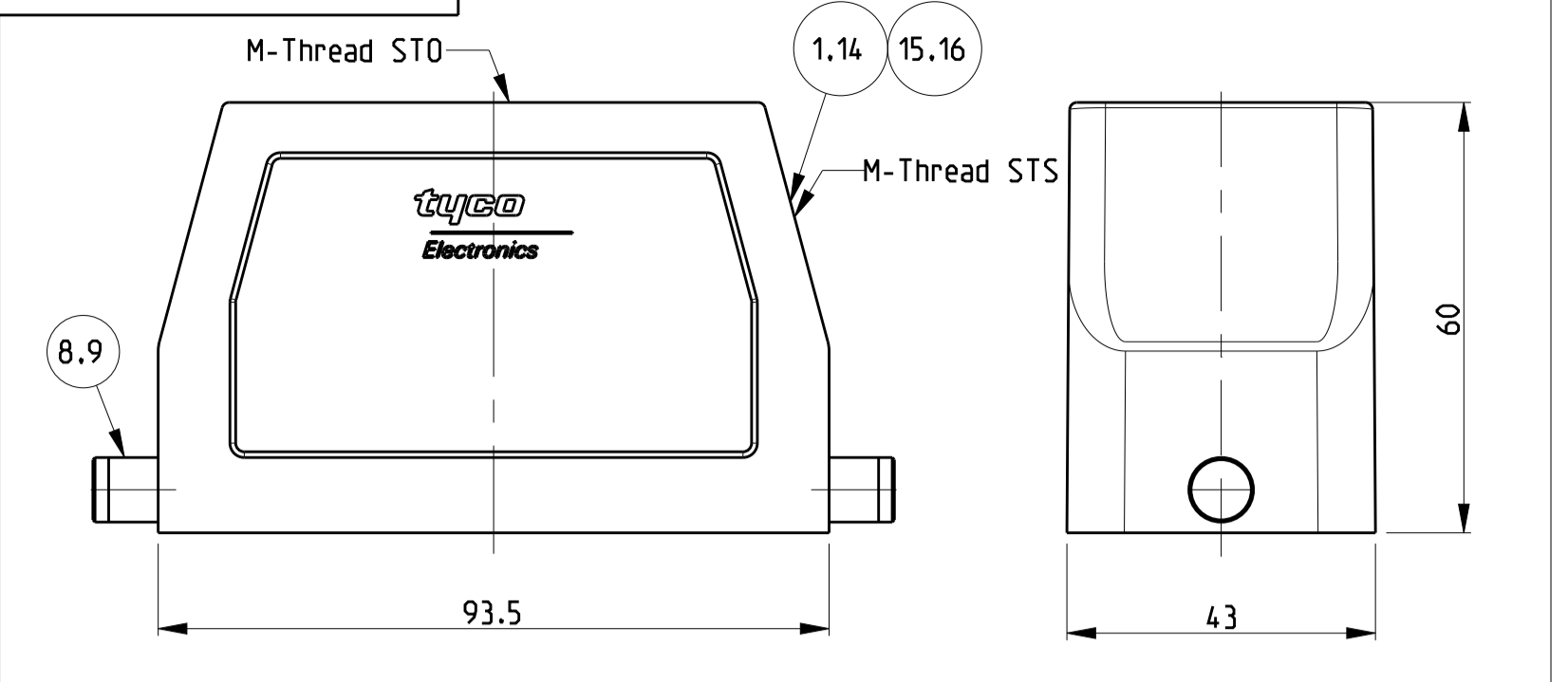
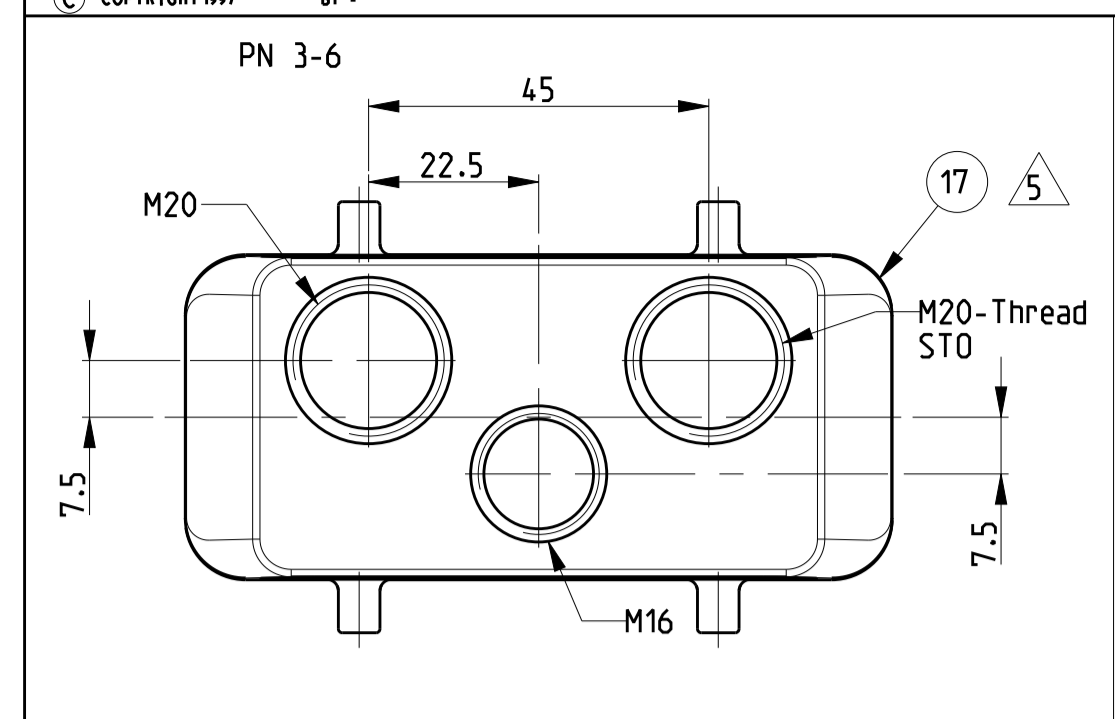


REVISIONS				
P	LTR	DESCRIPTION	DATE	APPV
B4		ECR-15-016632	28NOV2016	GCM MKO

- NOTES
- Surface: - Powder varnish grey
 - Aluminium oxide - Varnish black
 - Chromital TCP passivation - varnish black
 - Varnish on the inside not necessary
 - Packaging
 Packaging quantity 5 piece in a box
 - Special Packaging



ITEM NO	DESCRIPTION	MATERIAL	SURFACE	COLOR	ITEM NO	NOTES
17	HB Hood	Aluminium		Grey	17	5
16	HB-EMV Hood	Aluminium	SEE NOTE 1	Black	16	
15	HB Hood	Aluminium		Grey	15	
14	HB Hood	Aluminium		Fire red, RAL 3000	14	
13	HB-EMV Hood	Aluminium	SEE NOTE 1	Black	13	
12	ZB-Clip bolt	Stainless steel	Blank	With out varnish	12	
11	ZB-Clip bolt	Steel	Zinc plated	Blue	11	
10	LB-Clip bolt	Stainless steel	Blank		10	
9	LB-Clip bolt	Steel	Zinc plated	Blue	9	
8	LB-Side clip	Steel	Zinc plated	Blue	8	
7	VS-Locking Clip	Stainless steel	Blank		7	
6	VS-Locking Clip	Steel	Zinc plated	Blue	6	
5	VS-Clip bolt	Stainless steel	Blank		5	
4	HB-K Hood	Aluminium	Aluminium oxide	Black	4	
3	HB Hood	Aluminium		Grey	3	
2	HB-K Hood	Aluminium	Aluminium oxide	Black	2	
1	HB Hood	Aluminium		Grey	1	

ITEM NO	DESCRIPTION	MATERIAL	SURFACE	COLOR	ITEM NO	NOTES
3-6	HB-16-ST0-1.M16-Z-M20-G					
3-5	HB-EMV-16-ST5-GR-1.M32-G					
3-4	HB-16-ST5-GR-1.M25-G					
3-3	HB-16-ST5-GR-1.M32-G					
3-2	HB-EMV-16-ST5-GR-1.M32-G					
2-9	HB-EMV-16-ST5-GR-1.M32-G					
2-8	HB-16-ST5-GR-1.M32-G					
2-7	HB-16-ST5-GR-1.M32-G					
2-6	HB-16-ST5-GR-1.M32-G					
1-6	HB-16-ST0-1.M32-G					
3-0	HB-EMV-16-ST5-GR-1.M25-G					
2-5	HB-16-ST5-GR-1.M25-G					
2-2	HB-EMV-16-ST5-GR-1.M32-G					
2-1	HB-EMV-16-ST5-GR-1.M32-G					
1-8	HB-EMV-16-ST5-GR-1.M32-G					
1-5	HB-EMV-16-ST5-GR-1.M32-G					
1-4	HB-EMV-16-ST5-GR-1.M32-G					
2-4	HB-EMV-16-ST5-GR-1.M32-G					
1-1	HB-EMV-16-ST5-GR-1.M32-G					
0-5	HB-EMV-16-ST5-GR-1.M32-G					
0-8	HB-EMV-16-ST5-GR-1.M32-G					
0-2	HB-EMV-16-ST5-GR-1.M32-G					
0-6	HB-EMV-16-ST5-GR-1.M32-G					
1-2	HB-EMV-16-ST5-GR-1.M32-G					
0-3	HB-EMV-16-ST5-GR-1.M32-G					
1-0	HB-EMV-16-ST5-GR-1.M32-G					
0-4	HB-EMV-16-ST5-GR-1.M32-G					
0-7	HB-EMV-16-ST5-GR-1.M32-G					
0-1	HB-EMV-16-ST5-GR-1.M32-G					

THIS DRAWING IS A CONTROLLED DOCUMENT.

DATE: 16.01.2002
 DWG: Schneider
 CHE: Schweiger

PRODUCT SPEC: 108-74001
 APPLICATION SPEC: 114-74004

NAME: Hood
 HB.16.M32.G

SIZE: A1
 CAGE CODE: 00779
 DRAWING NO: C=1106449

RESTRICTED TO: -

CUSTOMER DRAWING

SCALE: 1:1 SHEET: 1 OF 1 REV: B4

X-ON Electronics

Largest Supplier of Electrical and Electronic Components

Click to view similar products for [Heavy Duty Power Connectors](#) category:

Click to view products by [TE Connectivity](#) manufacturer:

Other Similar products are found below :

[647757-1](#) [6643411-1](#) [6646058-2](#) [6646137-1](#) [6646138-1](#) [6646479-1](#) [6646608-1](#) [6646786-1](#) [6646940-1](#) [6651091-1](#) [6651525-1](#) [6651529-1](#)
[6651788-1](#) [696475-1](#) [702-32-01109](#) [703-25-02205](#) [73000005059](#) [73000005642](#) [73080255059](#) [73080965046](#) [765-15-0080A](#) [765-16-0080B](#)
[765-18-0080D](#) [829992-1](#) [902-77-02113](#) [PS00/A0620/6300](#) [PS25/A0420/63](#) [129-1J](#) [1409400](#) [AN0024023](#) [E6374G1](#) [e6389g2](#) [157-43GW8](#)
[MS3117-14AC](#) [1643543-1](#) [1650540-1](#) [1651811-2](#) [1766260-1](#) [1766282-1](#) [1766966-1](#) [1791340000](#) [NLDFT-3-BL-L-S120-M40A](#) [NLDFT-N-](#)
[W-L-C240-M40B](#) [NLS-2-R-C240-M40B](#) [NLS-N-W-C240-M40B](#) [NPS-3-BL-T6](#) [1986615-1](#) [2-1589900-8](#) [2199314-1](#) [KA8102](#)