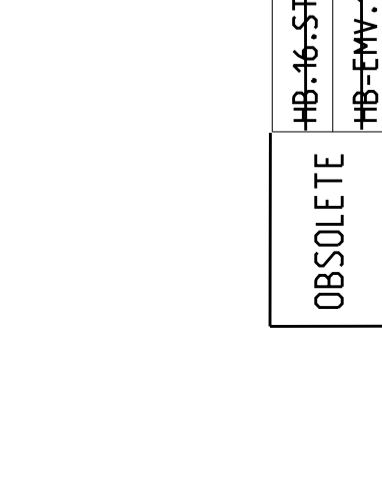
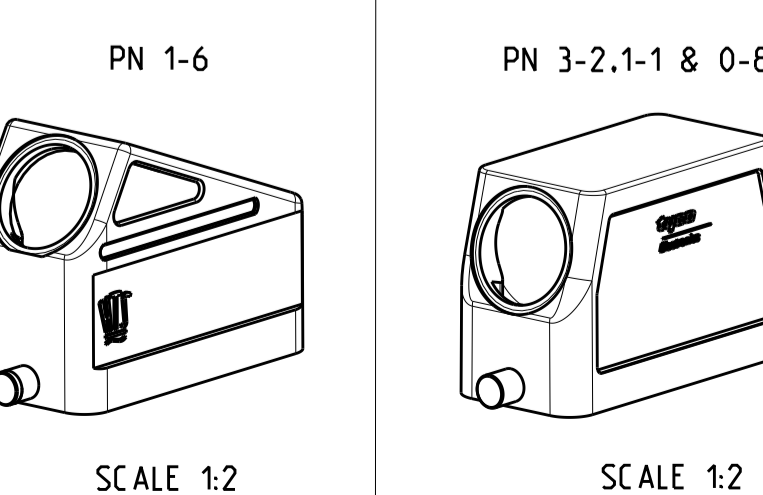
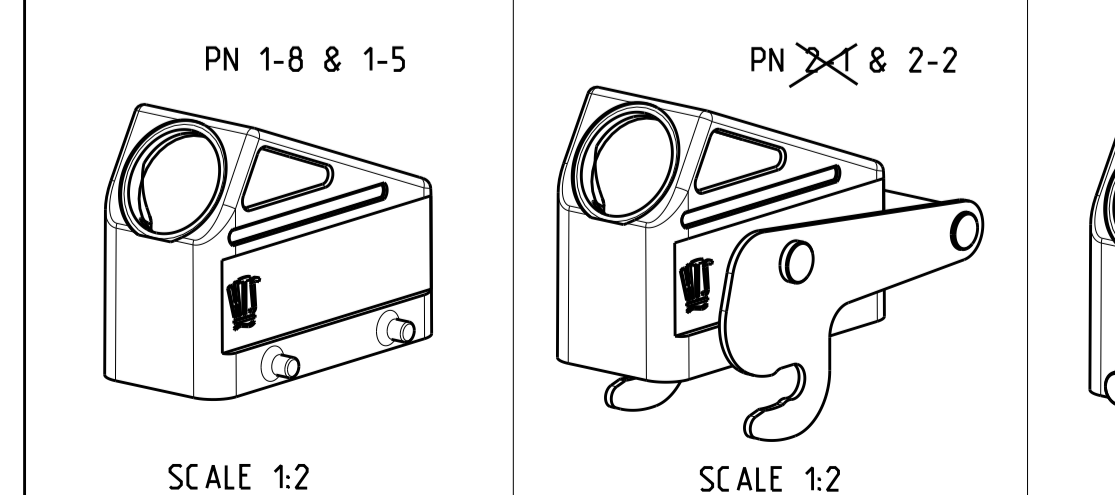
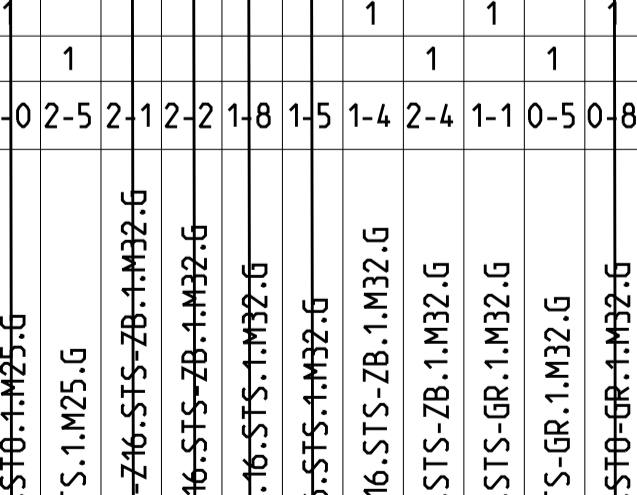
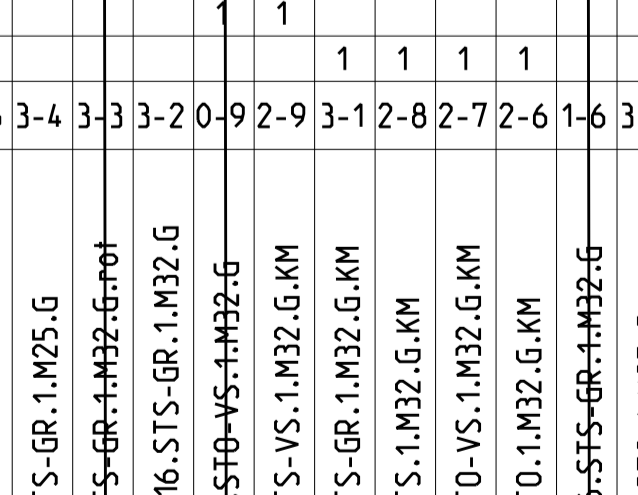
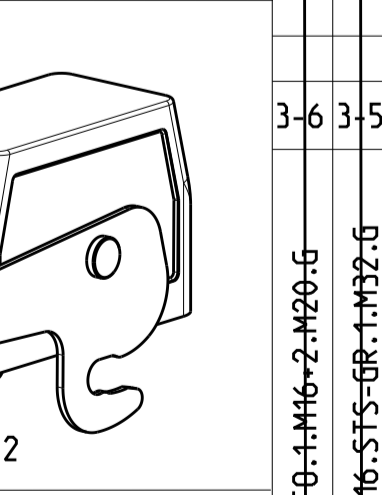
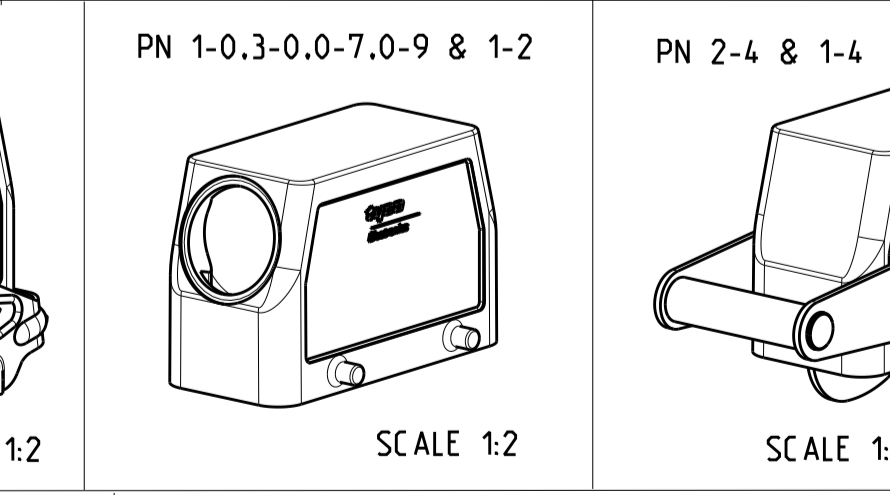
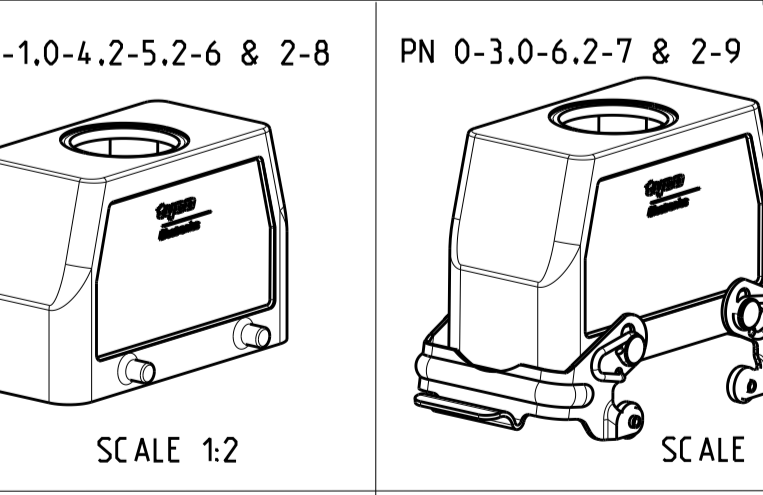
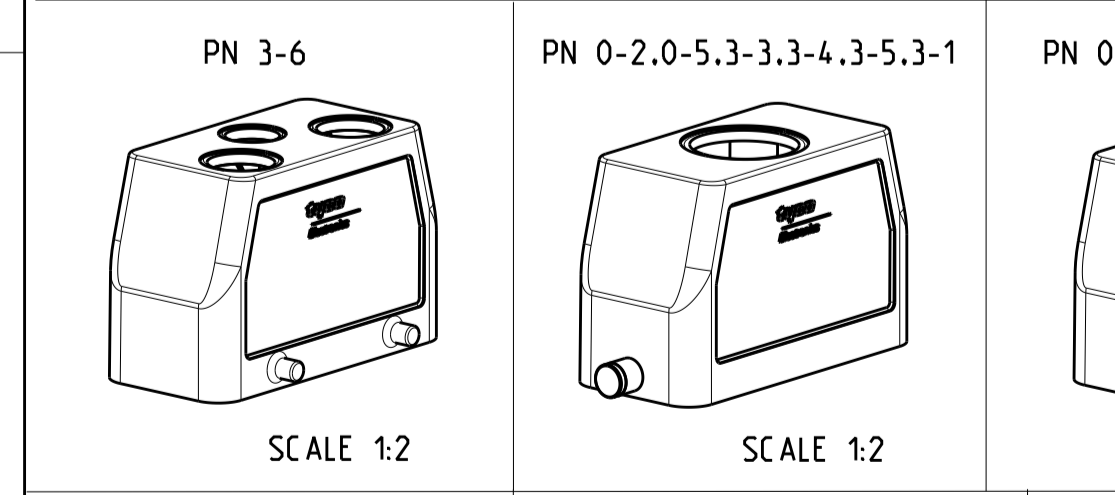
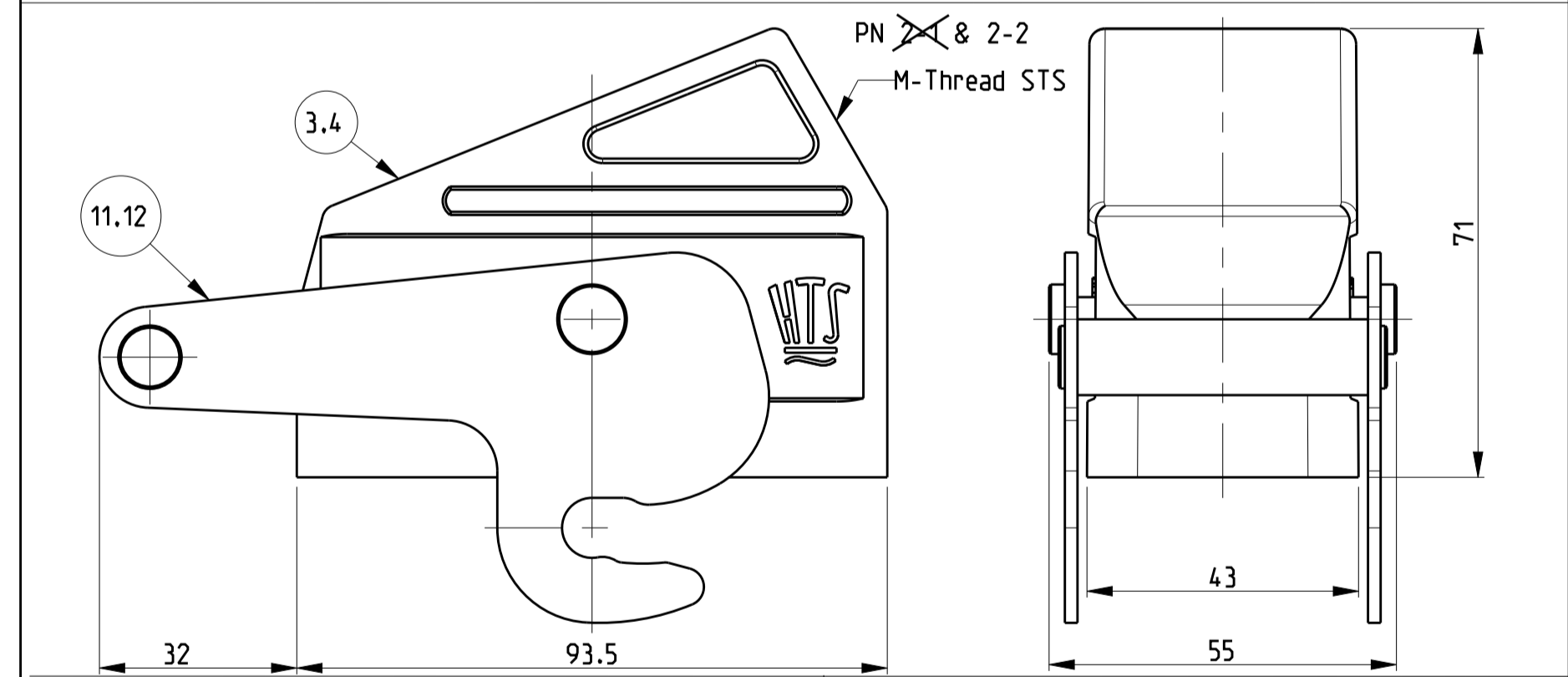
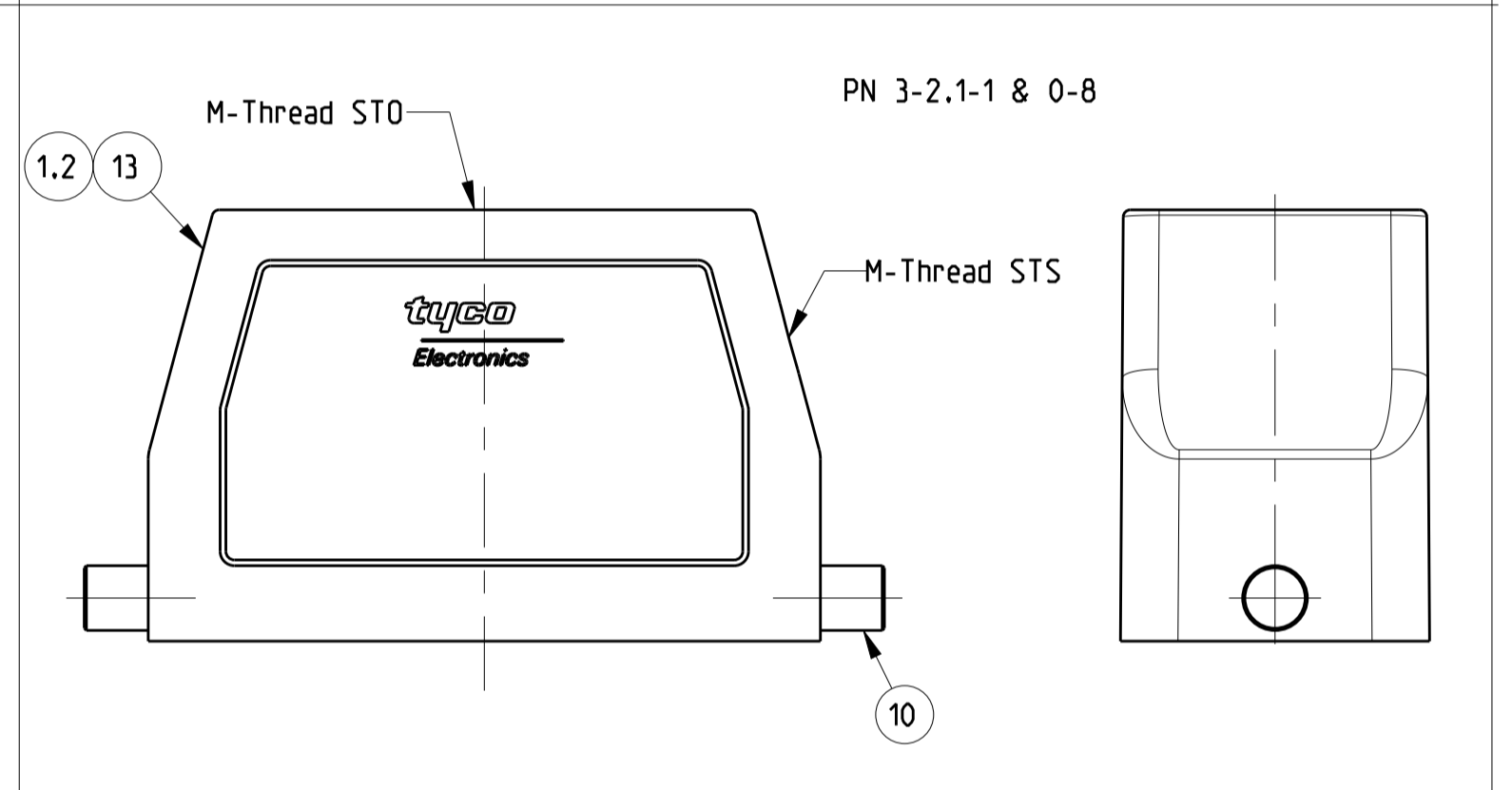
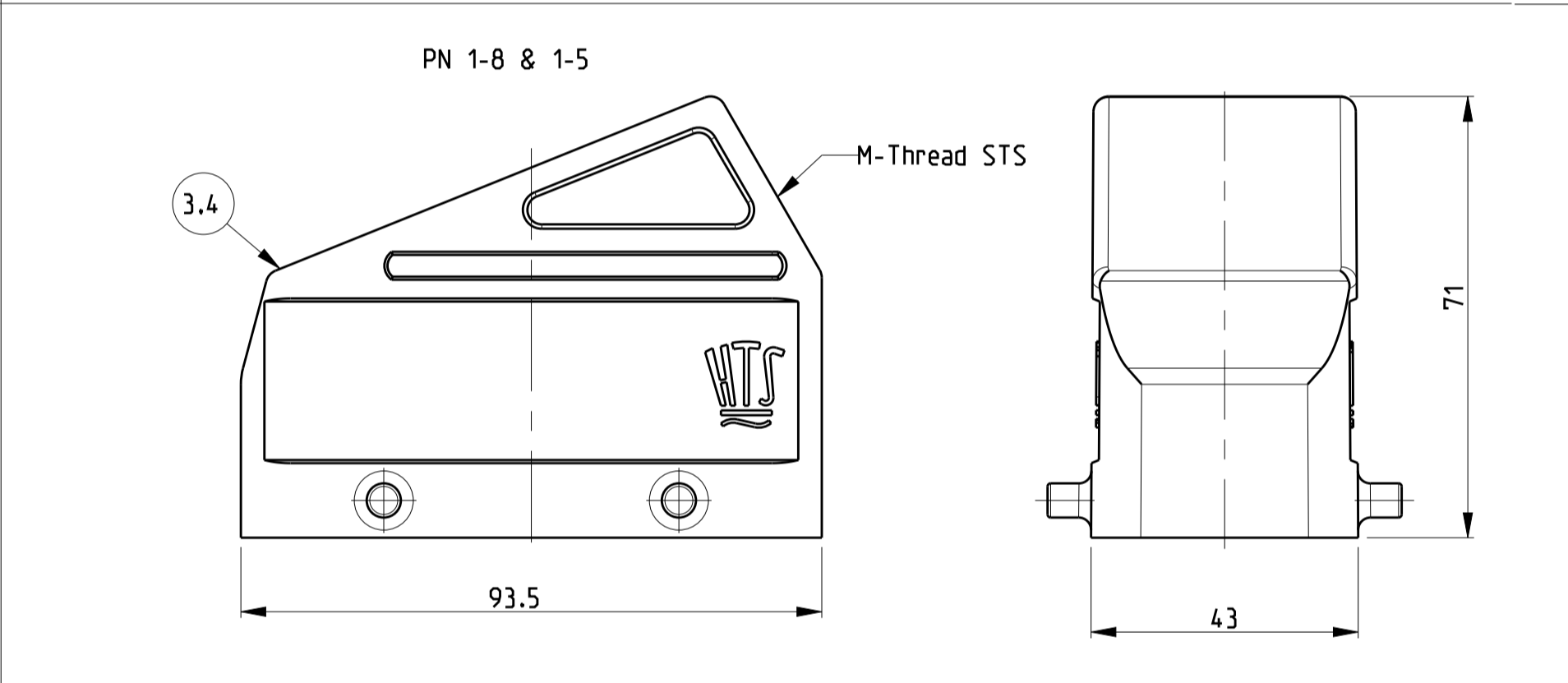
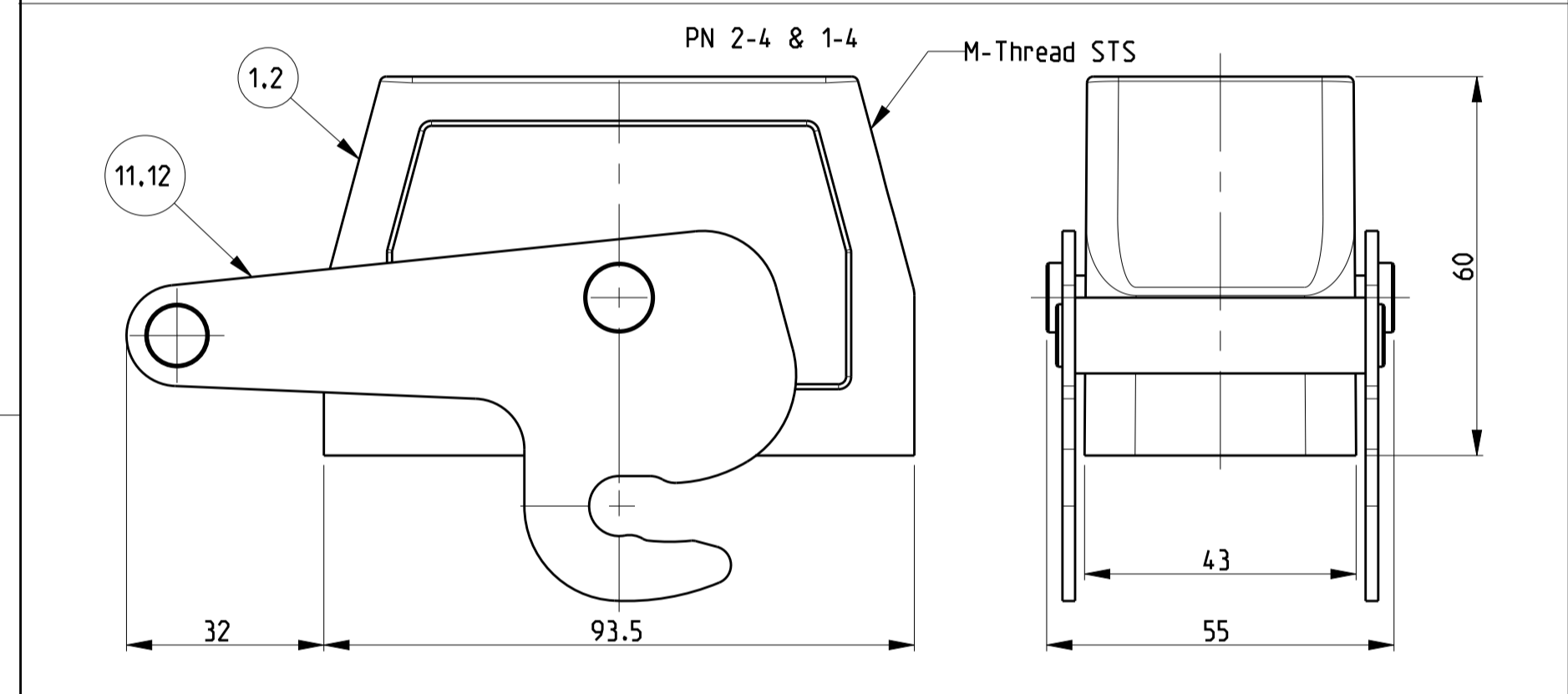
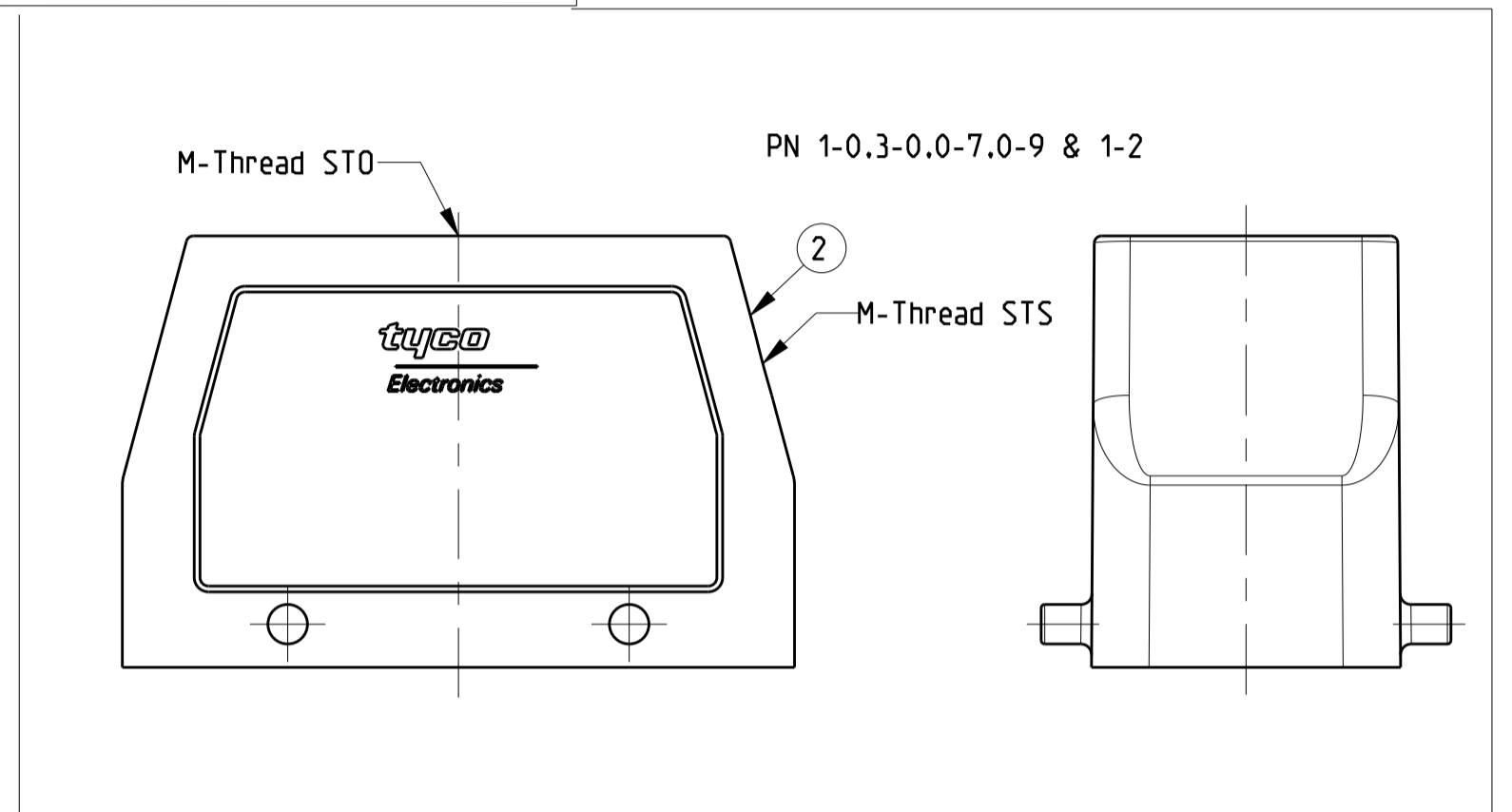
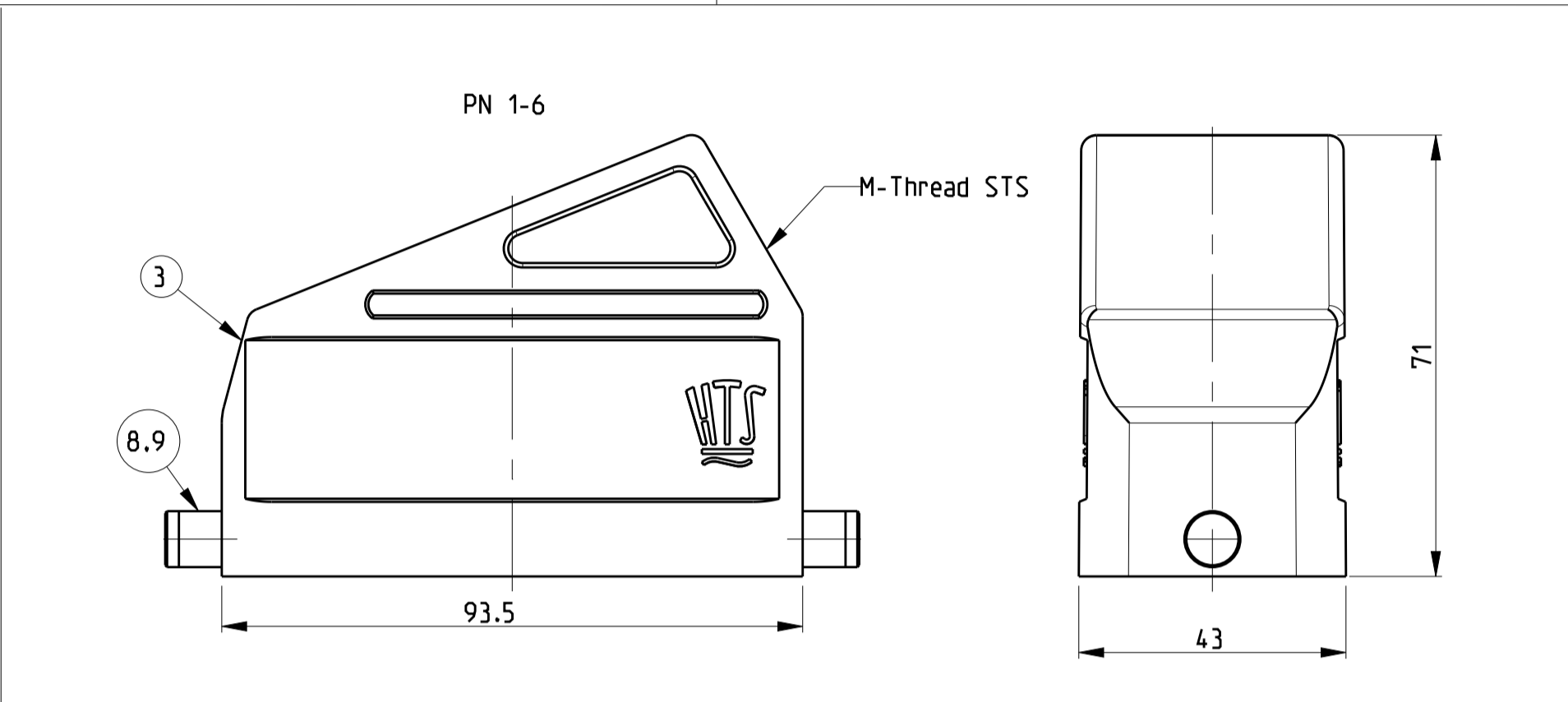
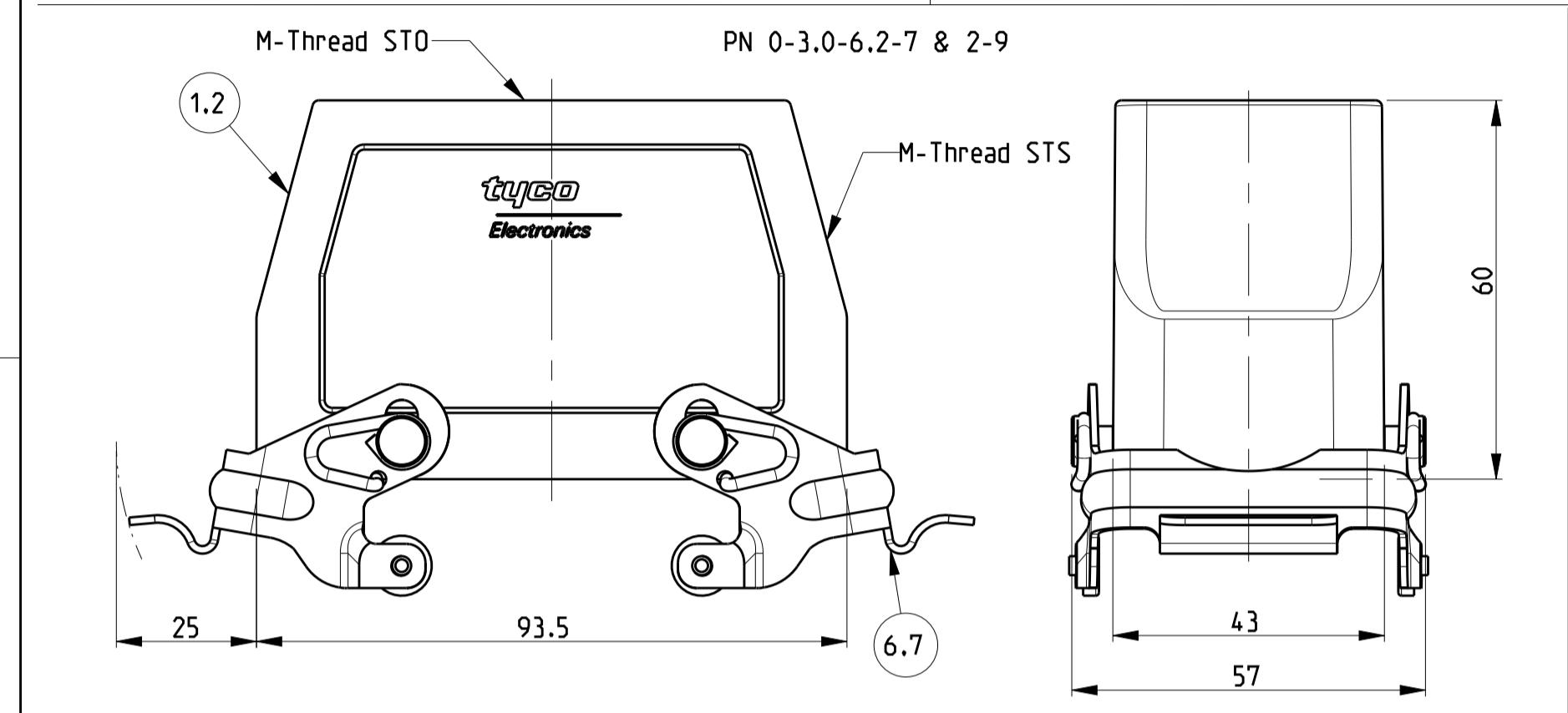
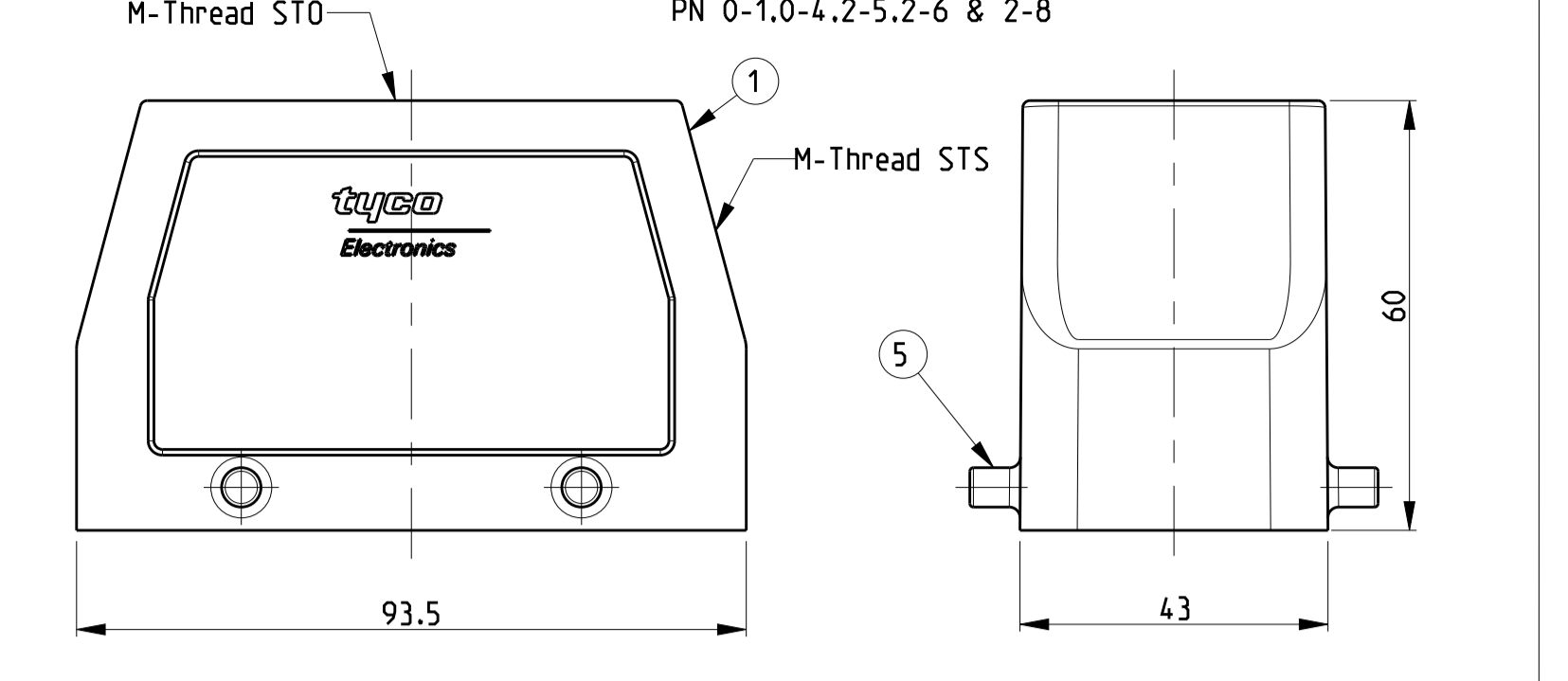
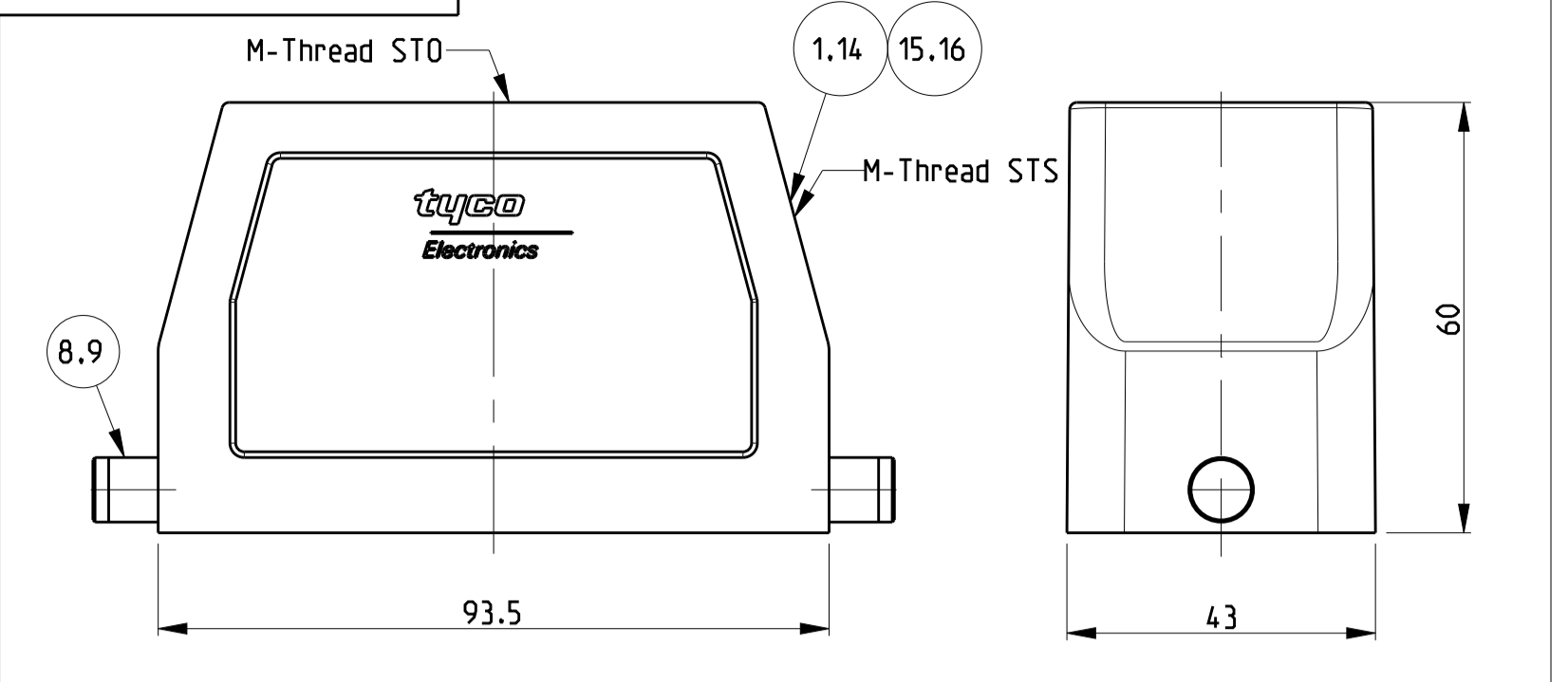
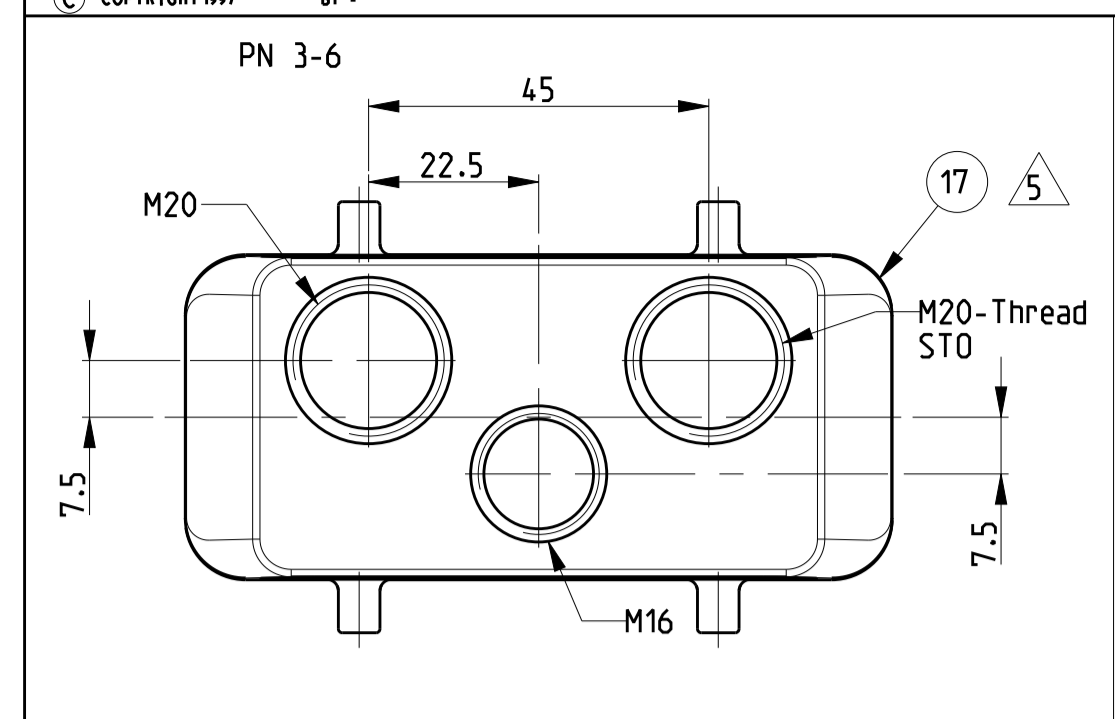


REVISIONS				
P	LTR	DESCRIPTION	DATE	APPV
B4	ECR-15-016632		28NOV2016	GCM MKO

- NOTES
- Surface: - Powder varnish grey  
 - Aluminium oxide - Varnish black  
 - Chromital TCP passivation - varnish black
  - Varnish on the inside not necessary
  - Packaging  
 Packaging quantity 5 piece in a box
  - Special Packaging



ITEM NO	DESCRIPTION	MATERIAL	SURFACE	COLOR	ITEM NO	NOTES
17	HB Hood	Aluminium		Grey	17	5
16	HB-EMV Hood	Aluminium	SEE NOTE 1	Black	16	
15	HB Hood	Aluminium		Grey	15	
14	HB Hood	Aluminium		Fire red, RAL 3000	14	
13	HB-EMV Hood	Aluminium	SEE NOTE 1	Black	13	
12	ZB-Clip bolt	Stainless steel	Blank	With out varnish	12	
11	ZB-Clip bolt	Steel	Zinc plated	Blue	11	
10	LB-Clip bolt	Stainless steel	Blank		10	
9	LB-Clip bolt	Steel	Zinc plated	Blue	9	
8	LB-Side clip	Steel	Zinc plated	Blue	8	
7	VS-Locking Clip	Stainless steel	Blank		7	
6	VS-Locking Clip	Steel	Zinc plated	Blue	6	
5	VS-Clip bolt	Stainless steel	Blank		5	
4	HB-K Hood	Aluminium	Aluminium oxide	Black	4	
3	HB Hood	Aluminium		Grey	3	
2	HB-K Hood	Aluminium	Aluminium oxide	Black	2	
1	HB Hood	Aluminium		Grey	1	

ITEM NO	DESCRIPTION	MATERIAL	SURFACE	COLOR	ITEM NO	NOTES
3-6	HB-16-ST0-1.M16-Z-M20-G					
3-5	HB-EMV-16-ST5-GR-1.M25-G					
3-4	HB-16-ST5-GR-1.M25-G					
3-3	HB-16-ST5-GR-1.M32-G					
3-2	HB-EMV-16-ST5-GR-1.M32-G					
2-9	HB-EMV-16-ST5-GR-1.M32-G					
2-8	HB-16-ST5-GR-1.M32-G					
2-7	HB-16-ST5-GR-1.M32-G					
2-6	HB-16-ST5-GR-1.M32-G					
1-6	HB-16-ST0-1.M32-G					
3-0	HB-EMV-16-ST5-GR-1.M25-G					
2-5	HB-16-ST5-GR-1.M25-G					
2-2	HB-EMV-16-ST5-GR-1.M32-G					
2-1	HB-EMV-16-ST5-GR-1.M32-G					
1-8	HB-EMV-16-ST5-GR-1.M32-G					
1-5	HB-EMV-16-ST5-GR-1.M32-G					
1-4	HB-EMV-16-ST5-GR-1.M32-G					
2-4	HB-EMV-16-ST5-GR-1.M32-G					
1-1	HB-EMV-16-ST5-GR-1.M32-G					
0-5	HB-EMV-16-ST5-GR-1.M32-G					
0-8	HB-EMV-16-ST5-GR-1.M32-G					
0-2	HB-EMV-16-ST5-GR-1.M32-G					
0-6	HB-EMV-16-ST5-GR-1.M32-G					
1-2	HB-EMV-16-ST5-GR-1.M32-G					
0-3	HB-EMV-16-ST5-GR-1.M32-G					
1-0	HB-EMV-16-ST5-GR-1.M32-G					
0-4	HB-EMV-16-ST5-GR-1.M32-G					
0-7	HB-EMV-16-ST5-GR-1.M32-G					
0-1	HB-EMV-16-ST5-GR-1.M32-G					

## X-ON Electronics

Largest Supplier of Electrical and Electronic Components

*Click to view similar products for [Heavy Duty Power Connectors](#) category:*

*Click to view products by [TE Connectivity](#) manufacturer:*

Other Similar products are found below :

[6646058-2](#) [6646137-1](#) [6646138-1](#) [6646940-1](#) [6651091-1](#) [6651525-1](#) [6651529-1](#) [696475-1](#) [702-32-01109](#) [73080255059](#) [73080965046](#)  
[7310205040001](#) [765-16-0080B](#) [765-18-0080D](#) [902-77-02113](#) [PS00/A0620/6300](#) [AN0024023](#) [154-42B7WM250](#) [MS3117-14AC](#) [1643543-1](#)  
[1766966-1](#) [1791340000](#) [NLDFT-3-BL-L-S120-M40A](#) [NLDFT-N-W-L-C240-M40B](#) [1926015-1](#) [NLS-3-BL-C240-M40B](#) [NLS-N-W-C240-](#)  
[M40B](#) [NPS-3-BL-T6](#) [2-1589900-8](#) [9300480317](#) [294-0091-01100](#) [296-0040-01100](#) [1-6609148-0](#) [A32595-0049](#) [1766249-1](#) [19000005132](#)  
[1926016-1](#) [1-966831-8](#) [AN0024202](#) [AN0264023](#) [279-0841-10100A](#) [281-0334-00100A](#) [RMSB4](#) [419-2083-301](#) [LCDX4/0-14B-X](#) [075-8519-](#)  
[001](#) [078238-1613](#) [07.470.3256.0](#) [09000005288](#) [09140240311](#)