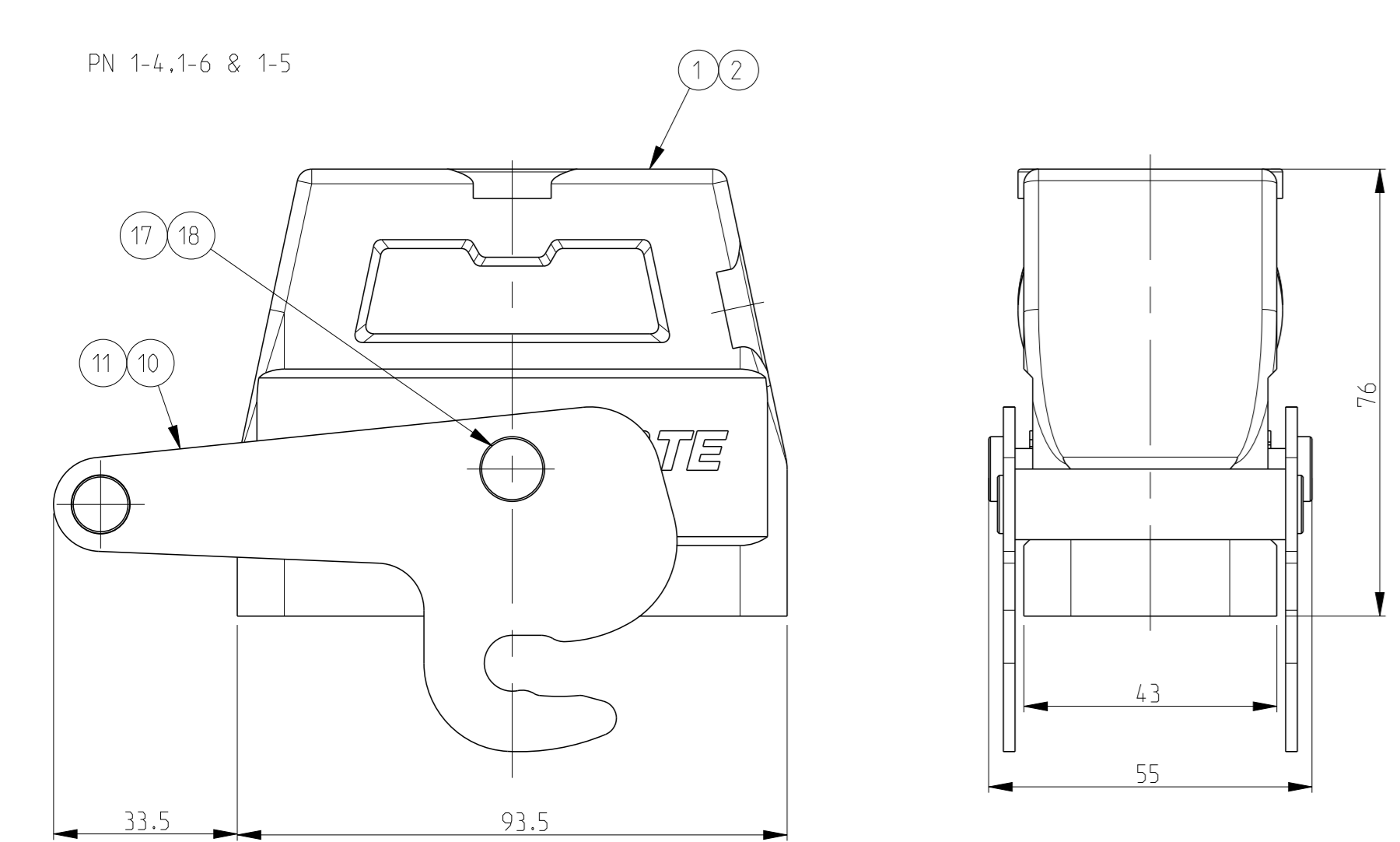
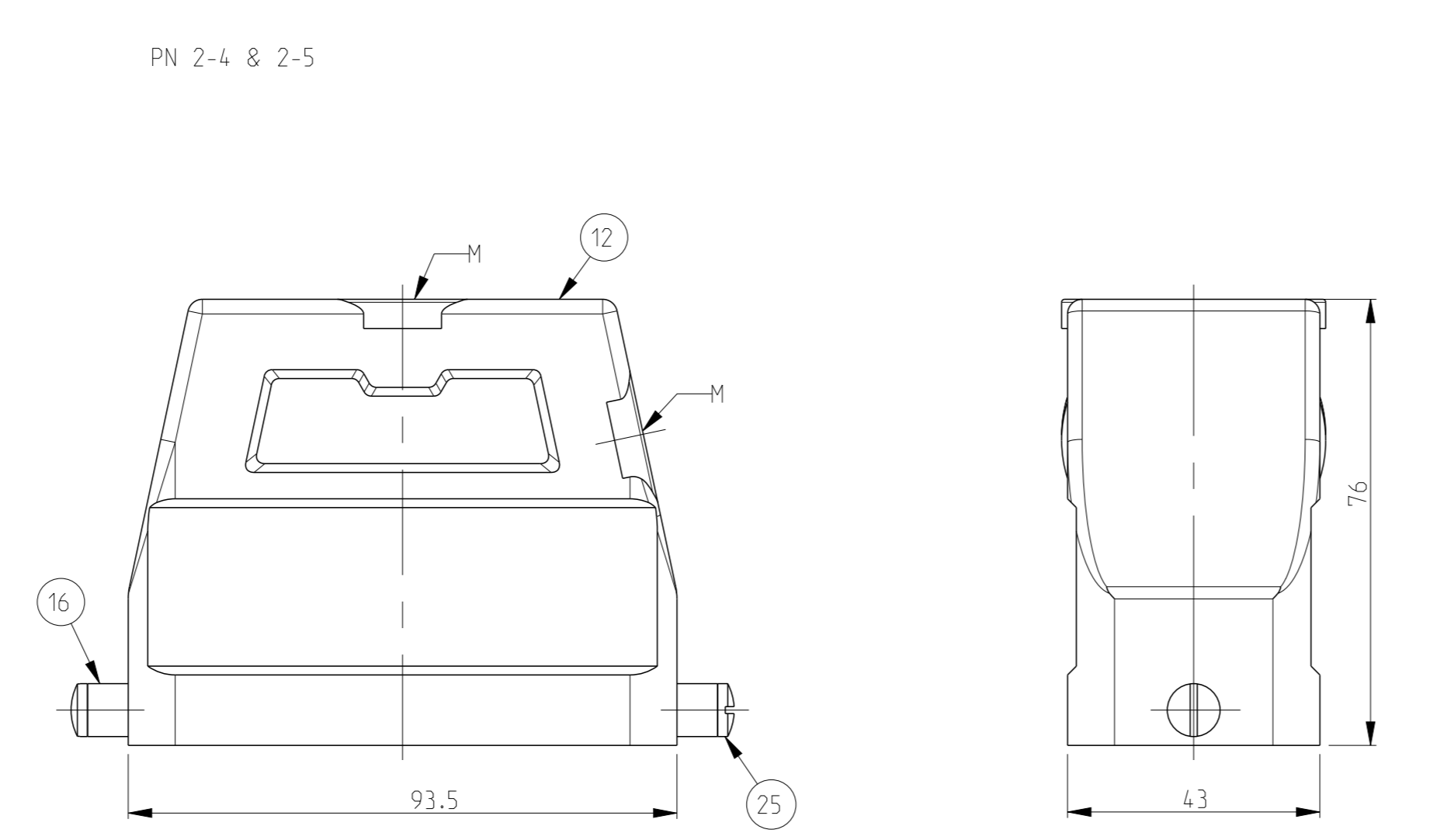
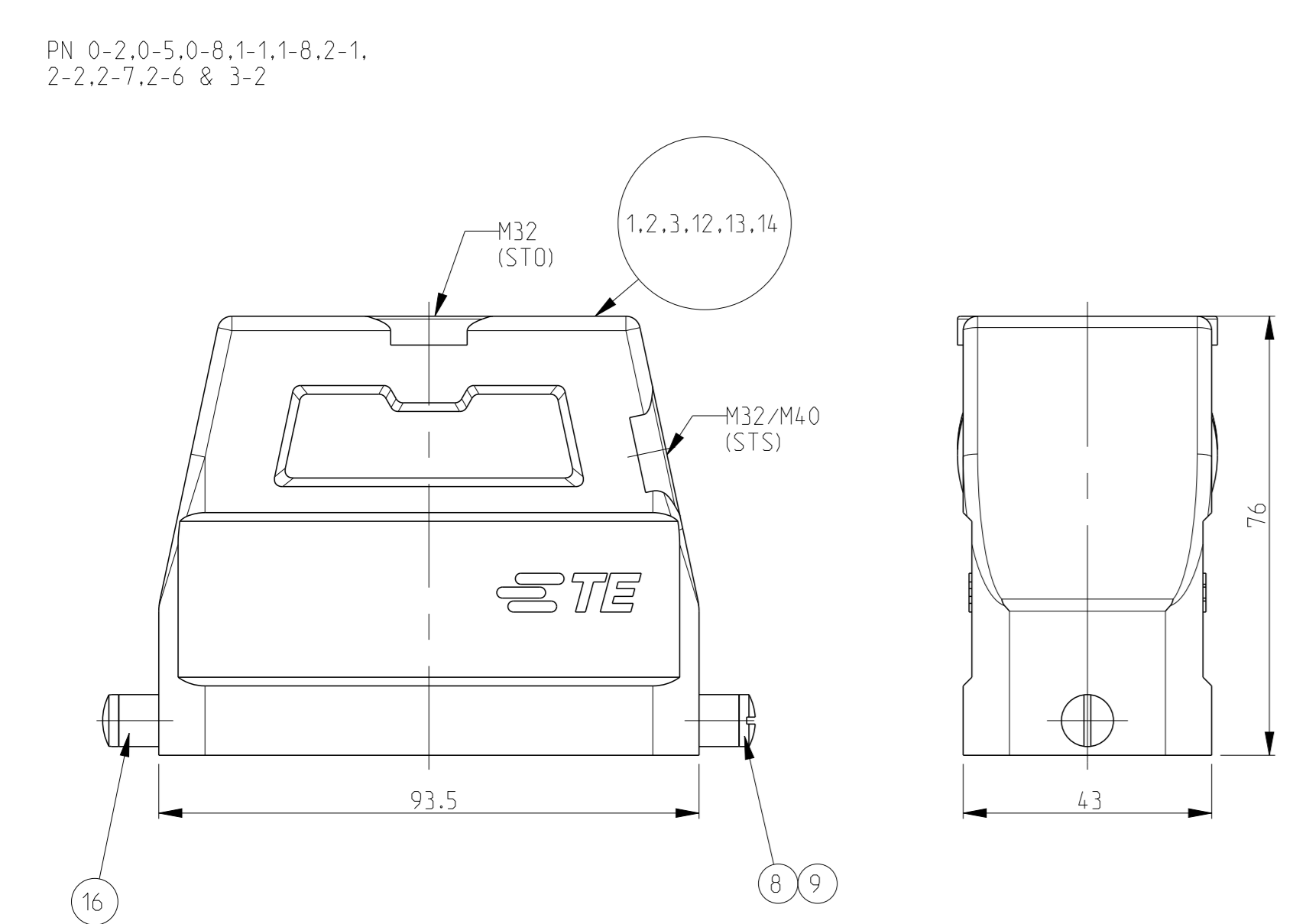
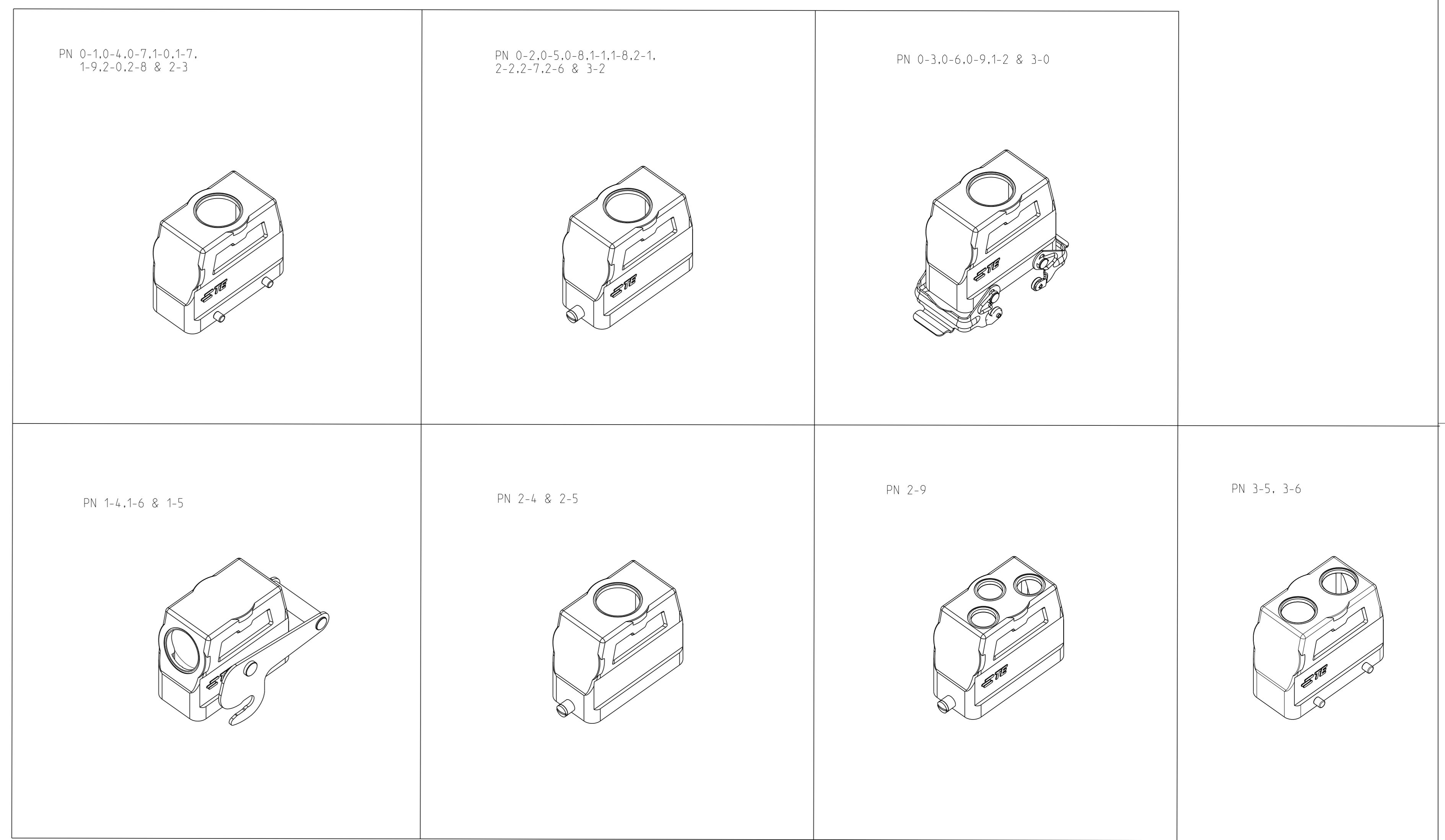
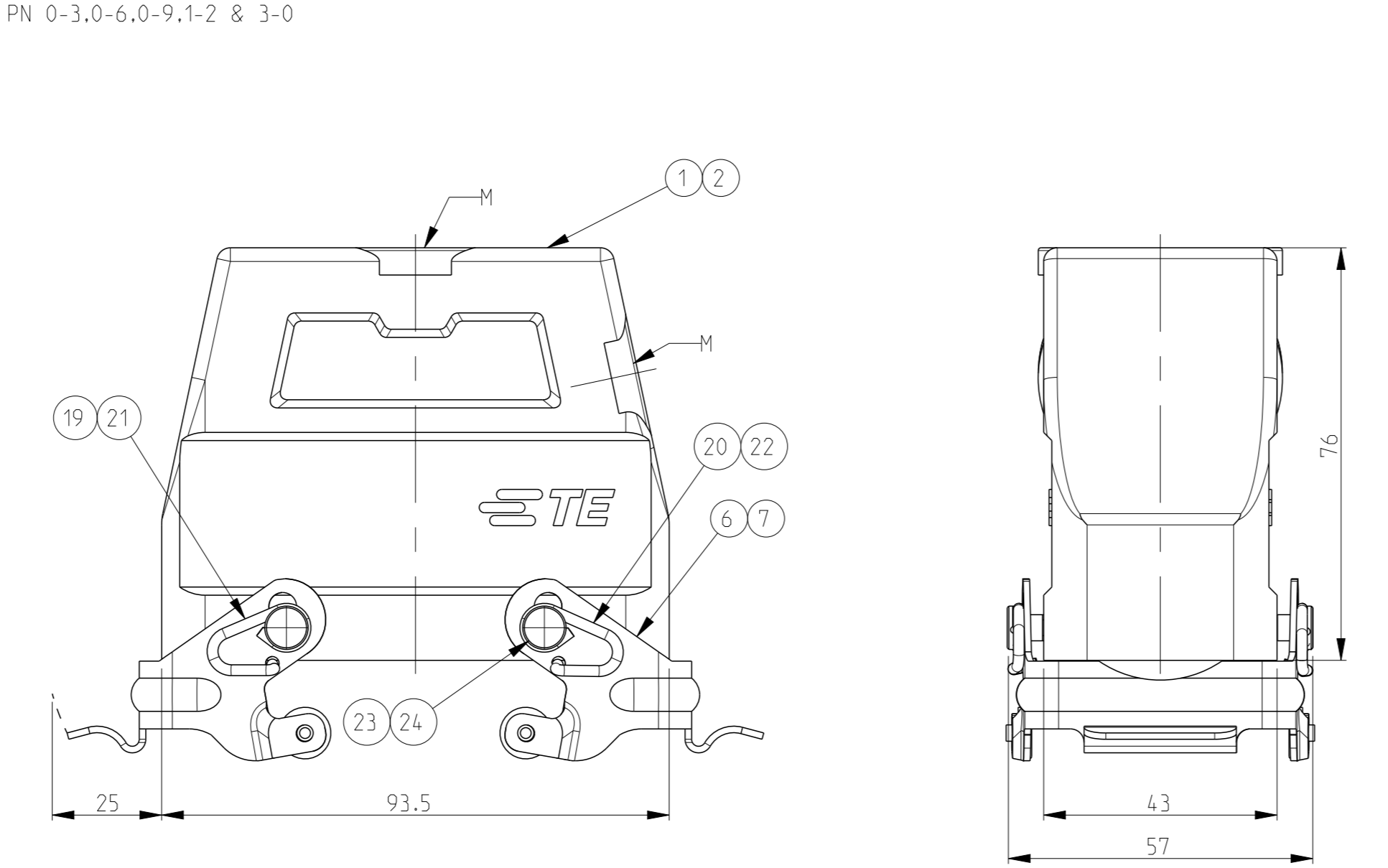
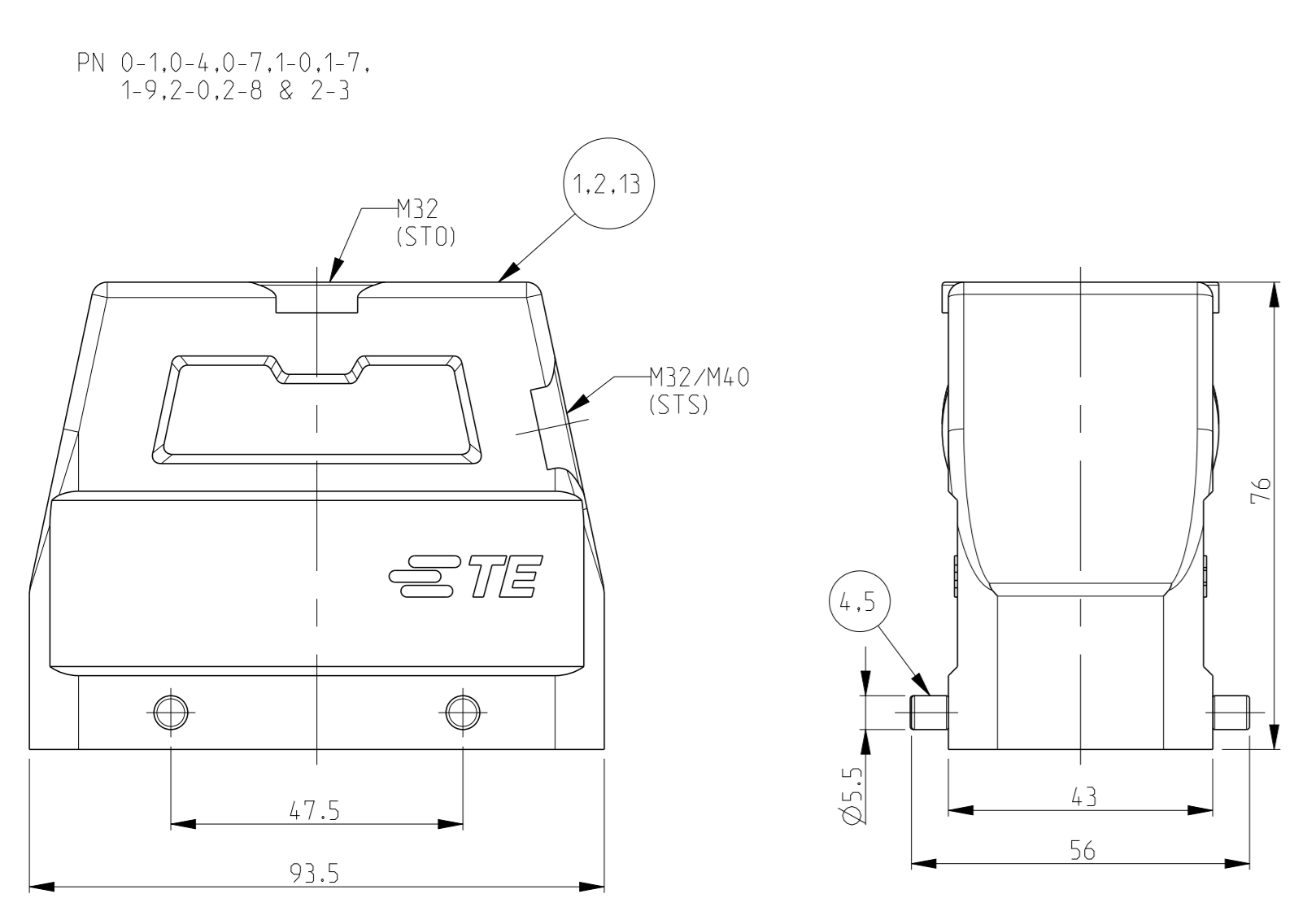
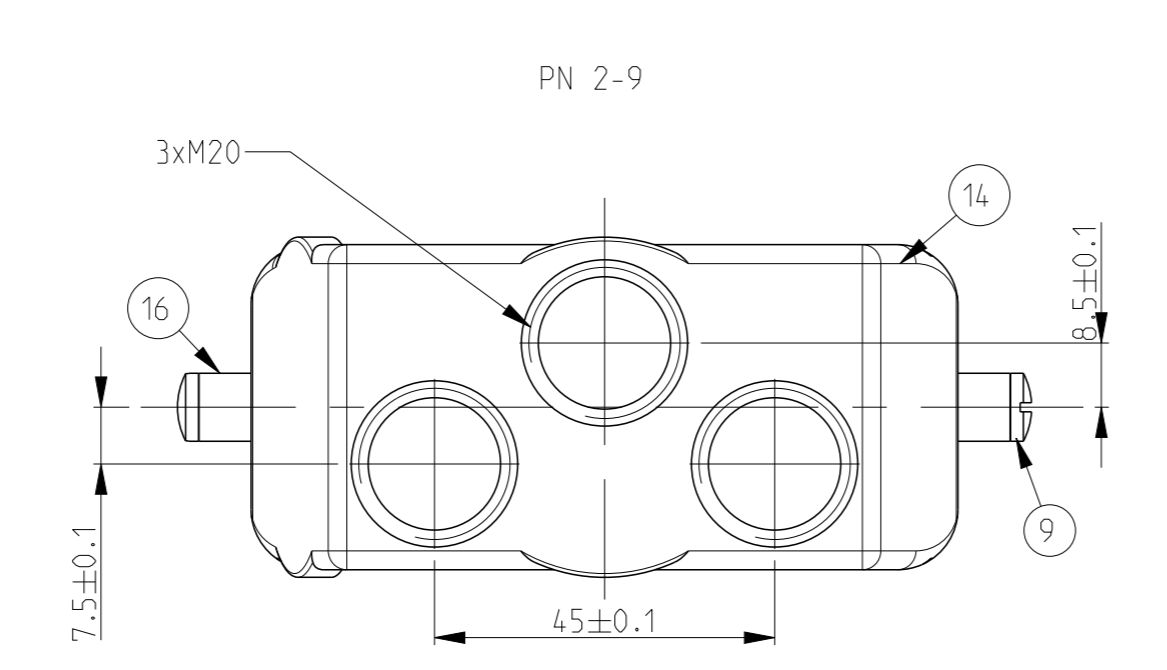
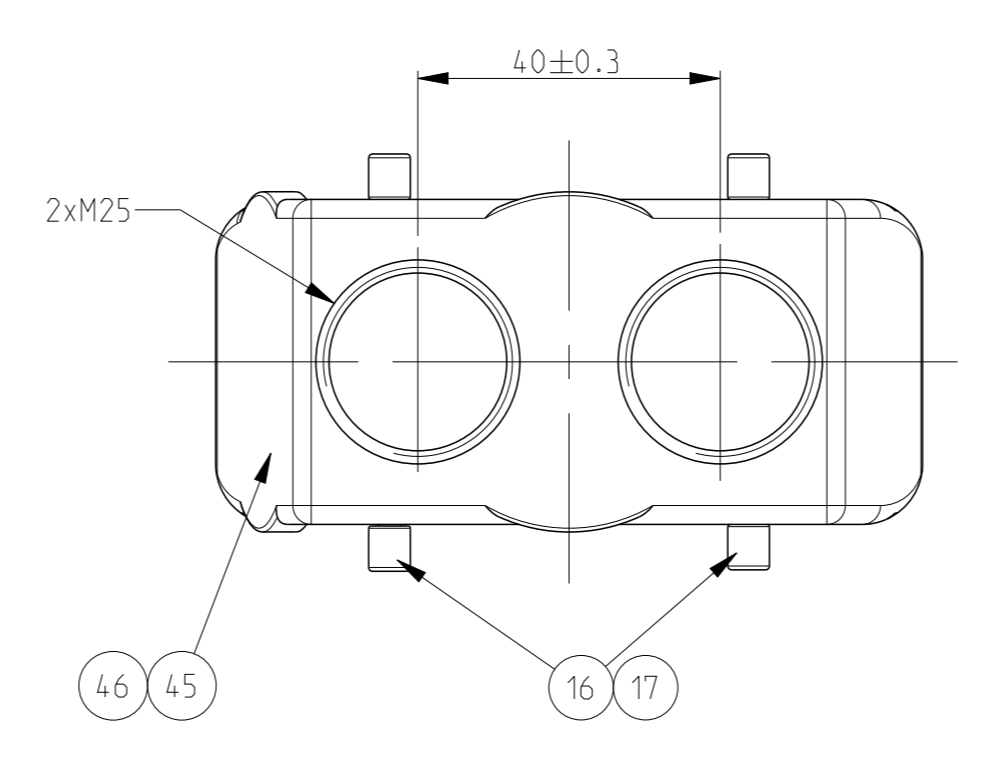
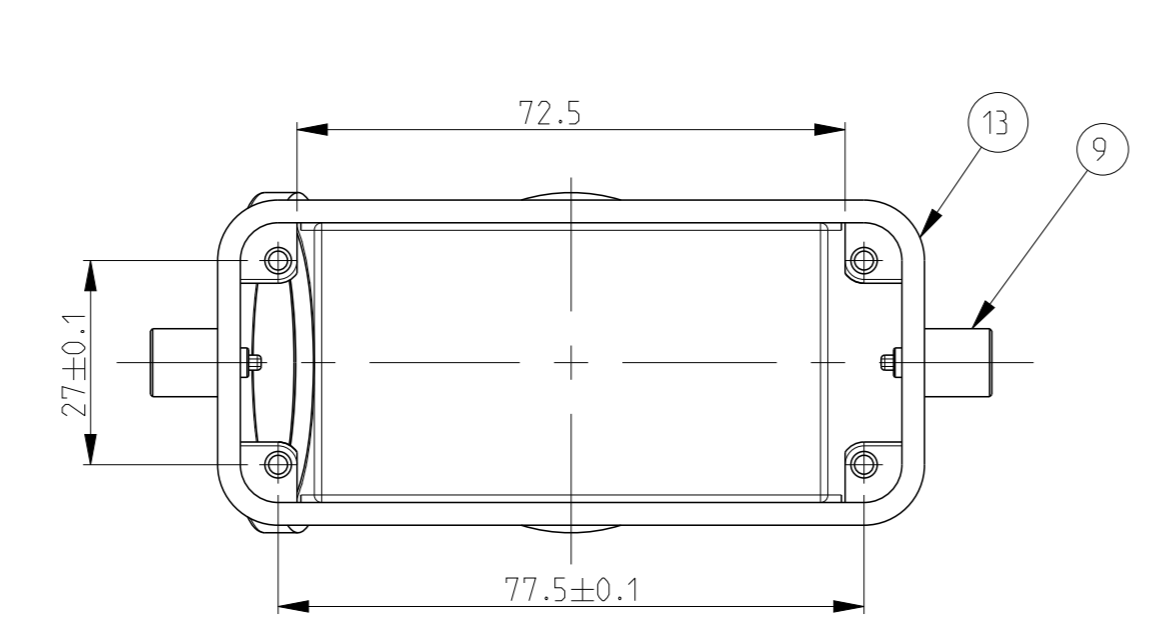


REV	DATE	DESCRIPTION	BY	APPD
A18	ECR-14-014129		29SEP2014	GR MKO
A19	ECR-15-000619		21AUG2015	GR MKO
A20	ECR-16-016696		18SEP2017	GR MKO
A21	REVISED PER ECR-16-016780		30JAN2018	SRG MKO
A22	ECR-17-014013		23MAR2018	SG MKO



Valid only for PN 2-7 and 2-8
 Landing at measure 72.5 (20mm Deep) milled off : bothsides



REV	DATE	DESCRIPTION	BY	APPD	MATERIAL	SURFACE	COLOR	ITEM NO	NOTES
4					HD-K HOOD	ALUMINIUM	BLACK	46	M5
4					HD HOOD	ALUMINIUM	GREY	45	
1					HD HOOD	ALUMINIUM		44	WITHOUT LOGO&DRILLING
1					HD HOOD	ALUMINIUM		43	WITHOUT LOGO&DRILLING
1					HD HOOD	ALUMINIUM	UNPAINTED	41	SINGLE PART
2					HD HOOD	ALUMINIUM	GREY	40	3xM20
2					LD-CLIP BOLT	STEEL	ZINC PLATED	39	M5
2					HD-K HOOD	ALUMINIUM	ALUMINIUM OXIDE	38	
2					HD-K HOOD	ALUMINIUM	ALUMINIUM OXIDE	37	
2					HD HOOD	ALUMINIUM	GREY	36	WITH OUT TE-LOGO
2					HD HOOD	ALUMINIUM	GREY	35	WITH OUT TE-LOGO
2					HD HOOD	ALUMINIUM	GREY	34	WITH OUT TE-LOGO
2					HD HOOD	ALUMINIUM	GREY	33	
2					ZB-CLIP POSITIONER	STAINLESS STEEL		32	
2					ZB-CLIP POSITIONER	STEEL	ZINC PLATED	31	
2					ZB-LOCKING CLIP	STAINLESS STEEL	BLANK	30	
2					ZB-LOCKING CLIP	STEEL	ZINC PLATED	29	
2					LD-SLIDE SPOOL	STEEL	ZINC PLATED	28	
2					LD-CLIP BOLT	STAINLESS STEEL	BLANK	27	
2					LD-CLIP BOLT	STEEL	ZINC PLATED	26	
2					VS-CLIP SPRING RIGHT	STAINLESS STEEL	BLANK	25	
2					VS-CLIP SPRING RIGHT	STEEL	ZINC PLATED	24	
2					VS-CLIP SPRING LEFT	STAINLESS STEEL	BLANK	23	
2					VS-CLIP SPRING LEFT	STEEL	ZINC PLATED	22	
2					VS-CLIP POSITIONER	STAINLESS STEEL	BLANK	21	
2					VS-CLIP POSITIONER	STEEL	ZINC PLATED	20	
2					VS-LOCKING CLIP	STAINLESS STEEL	BLANK	19	
2					VS-LOCKING CLIP	STEEL	ZINC PLATED	18	
2					VS-CLIP BOLT	STAINLESS STEEL	BLANK	17	
2					VS-CLIP BOLT	STEEL	ZINC PLATED	16	
2					HD HOOD	ALUMINIUM	GREY	15	WITH OUT TE-LOGO
2					HD HOOD	ALUMINIUM	GREY	14	WITH OUT TE-LOGO
2					HD HOOD	ALUMINIUM	GREY	13	WITH OUT TE-LOGO
2					HD HOOD	ALUMINIUM	GREY	12	WITH OUT TE-LOGO
2					HD HOOD	ALUMINIUM	GREY	11	
2					HD HOOD	ALUMINIUM	GREY	10	
2					HD-K HOOD	ALUMINIUM	ALUMINIUM OXIDE	9	
2					HD-K HOOD	ALUMINIUM	ALUMINIUM OXIDE	8	
2					HD-K HOOD	ALUMINIUM	ALUMINIUM OXIDE	7	
2					HD-K HOOD	ALUMINIUM	ALUMINIUM OXIDE	6	
2					HD-K HOOD	ALUMINIUM	ALUMINIUM OXIDE	5	
2					HD HOOD	ALUMINIUM	GREY	4	
2					HD HOOD	ALUMINIUM	GREY	3	
2					HD HOOD	ALUMINIUM	GREY	2	
2					HD HOOD	ALUMINIUM	GREY	1	

- NOTES
- ▲ MATERIAL-HOUSING ALUMINIUM DIECASTING ALLOY
 - ▲ SURFACE-POWDER VARNISH-GREY - VARNISH-BLACK
 - 3 VARNISH ON THE INSIDE NOT NECESSARY
 - ▲ WITH OUT TE LOGO
 - ▲ PACKAGING QUANTITY 5 PIECES IN A BOX

THIS DRAWING IS A CONTROLLED DOCUMENT. DATE: 16.01.2002
 DIMENSIONS: (mm) SCHNEIDER 16.01.2002
 PRODUCT SPEC: HD .40.STO/STS.M32/M40.G
 APPLICATOR SPEC: A0 00779 ©=1106452
 MATERIAL: FINISH: CUSTOMER DRAWING
 SCALE: 1:1 SHEET 1 of 1

X-ON Electronics

Largest Supplier of Electrical and Electronic Components

Click to view similar products for [Heavy Duty Power Connectors](#) category:

Click to view products by [TE Connectivity](#) manufacturer:

Other Similar products are found below :

[647757-1](#) [6643411-1](#) [6646058-2](#) [6646137-1](#) [6646138-1](#) [6646479-1](#) [6646608-1](#) [6646786-1](#) [6646940-1](#) [6651091-1](#) [6651525-1](#) [6651529-1](#)
[6651788-1](#) [696475-1](#) [702-32-01109](#) [703-25-02205](#) [73000005059](#) [73000005642](#) [73080255059](#) [73080965046](#) [765-15-0080A](#) [765-16-0080B](#)
[765-18-0080D](#) [829992-1](#) [902-77-02113](#) [PS00/A0620/6300](#) [PS25/A0420/63](#) [129-1J](#) [1409400](#) [AN0024023](#) [E6374G1](#) [e6389g2](#) [157-43GW8](#)
[MS3117-14AC](#) [1643543-1](#) [1650540-1](#) [1651811-2](#) [1766260-1](#) [1766282-1](#) [1766966-1](#) [1791340000](#) [NLDFT-3-BL-L-S120-M40A](#) [NLDFT-N-](#)
[W-L-C240-M40B](#) [NLS-2-R-C240-M40B](#) [NLS-N-W-C240-M40B](#) [NPS-3-BL-T6](#) [1986615-1](#) [2-1589900-8](#) [2199314-1](#) [KA8102](#)