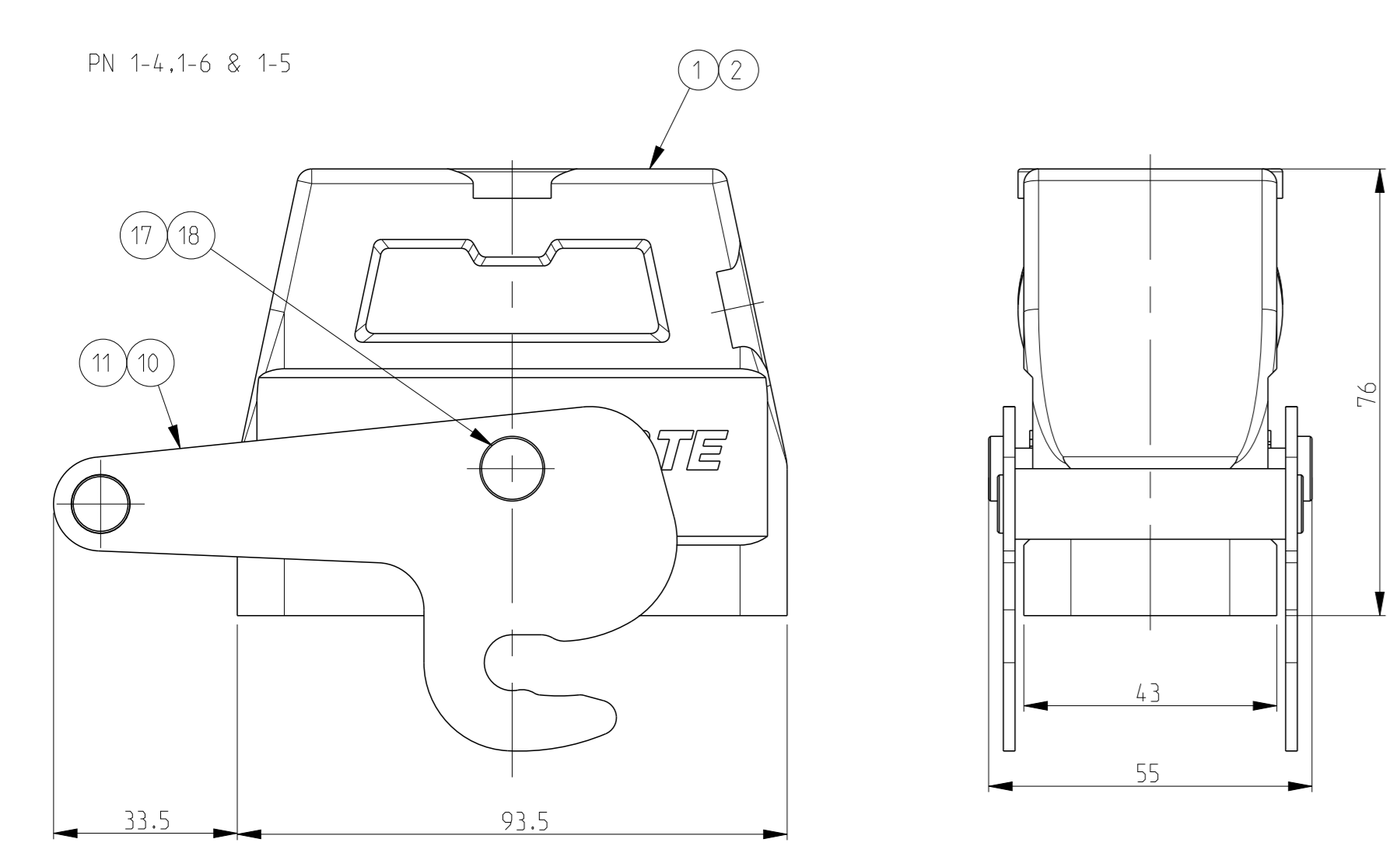
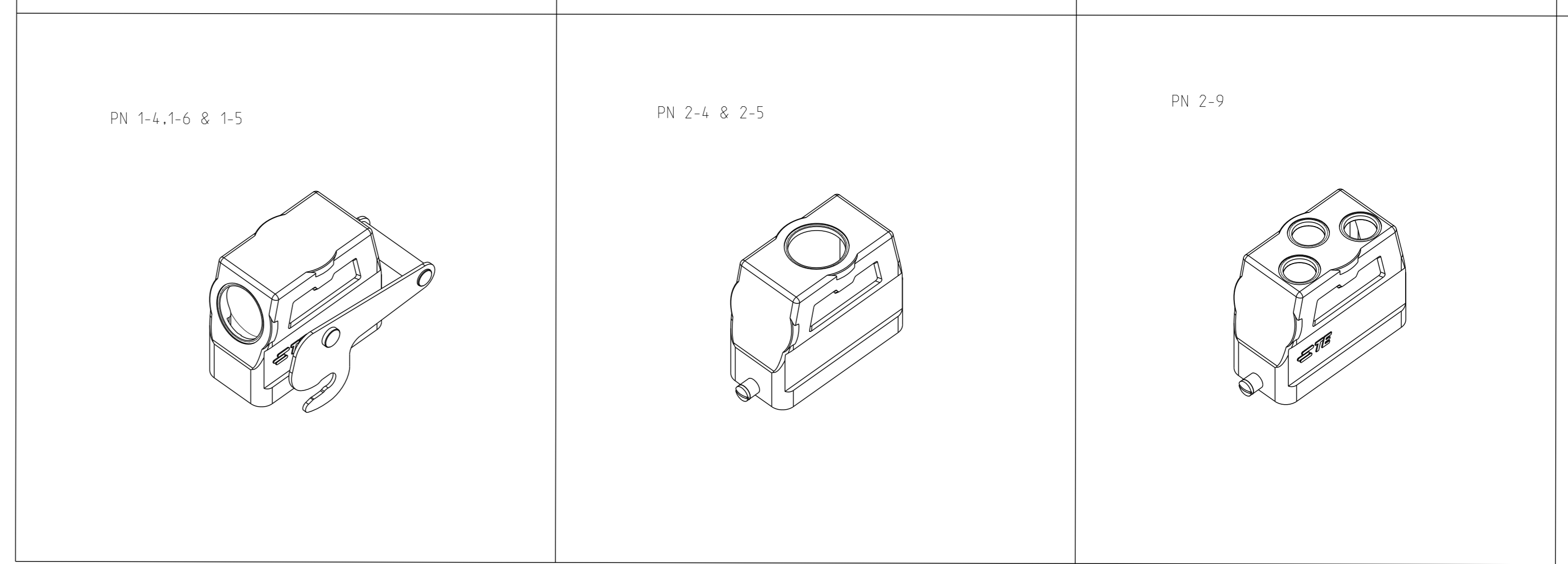
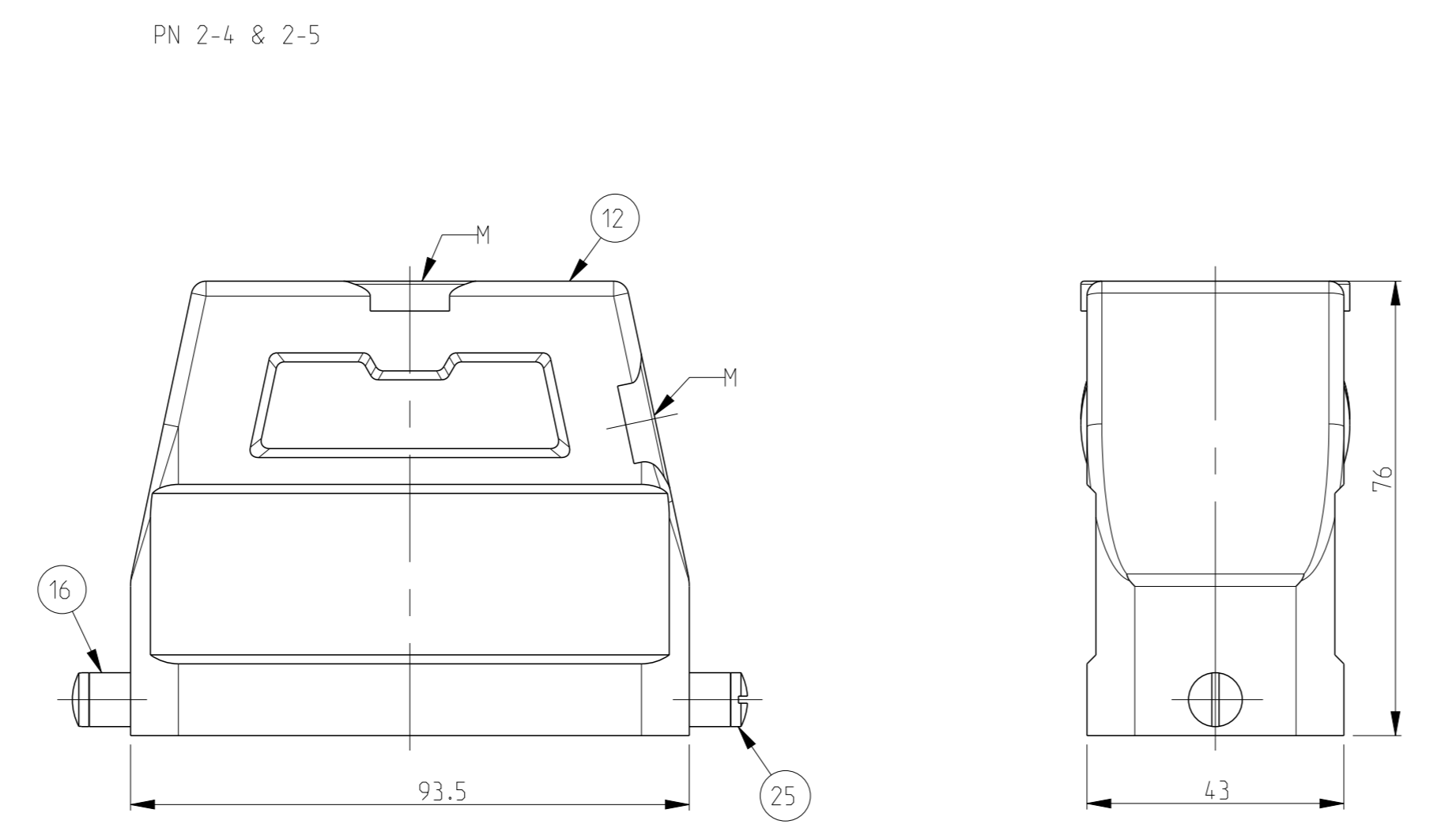
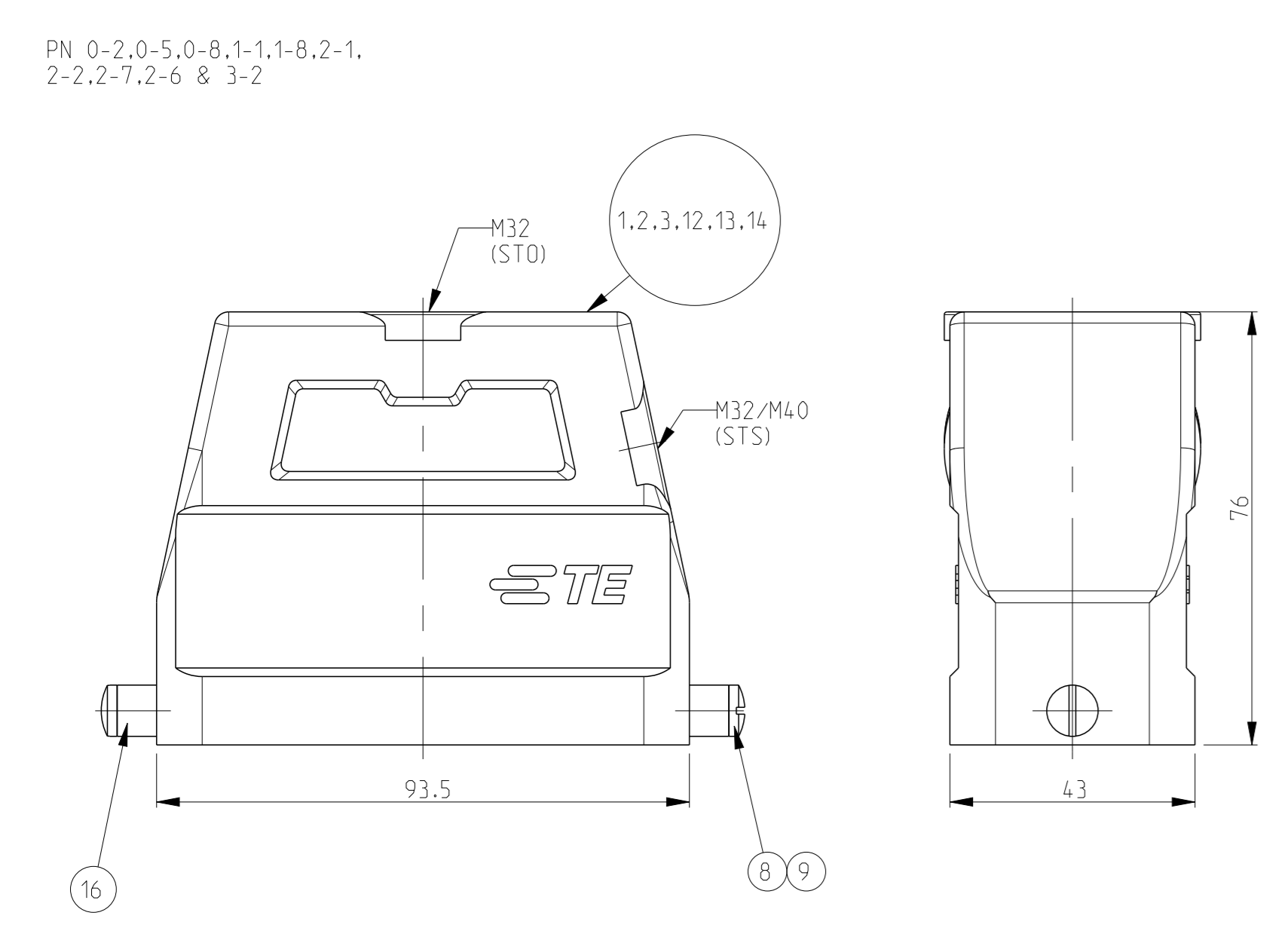
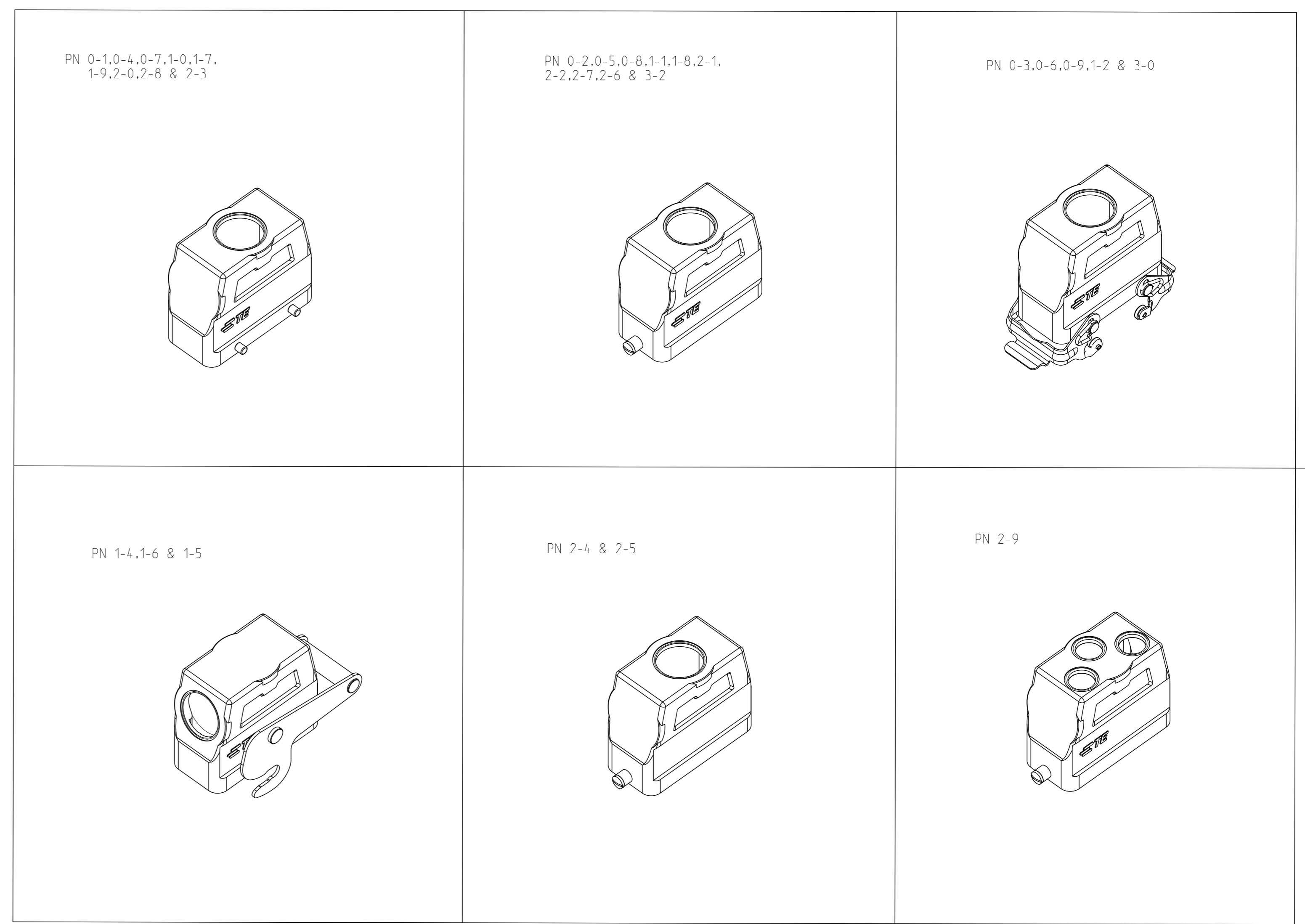
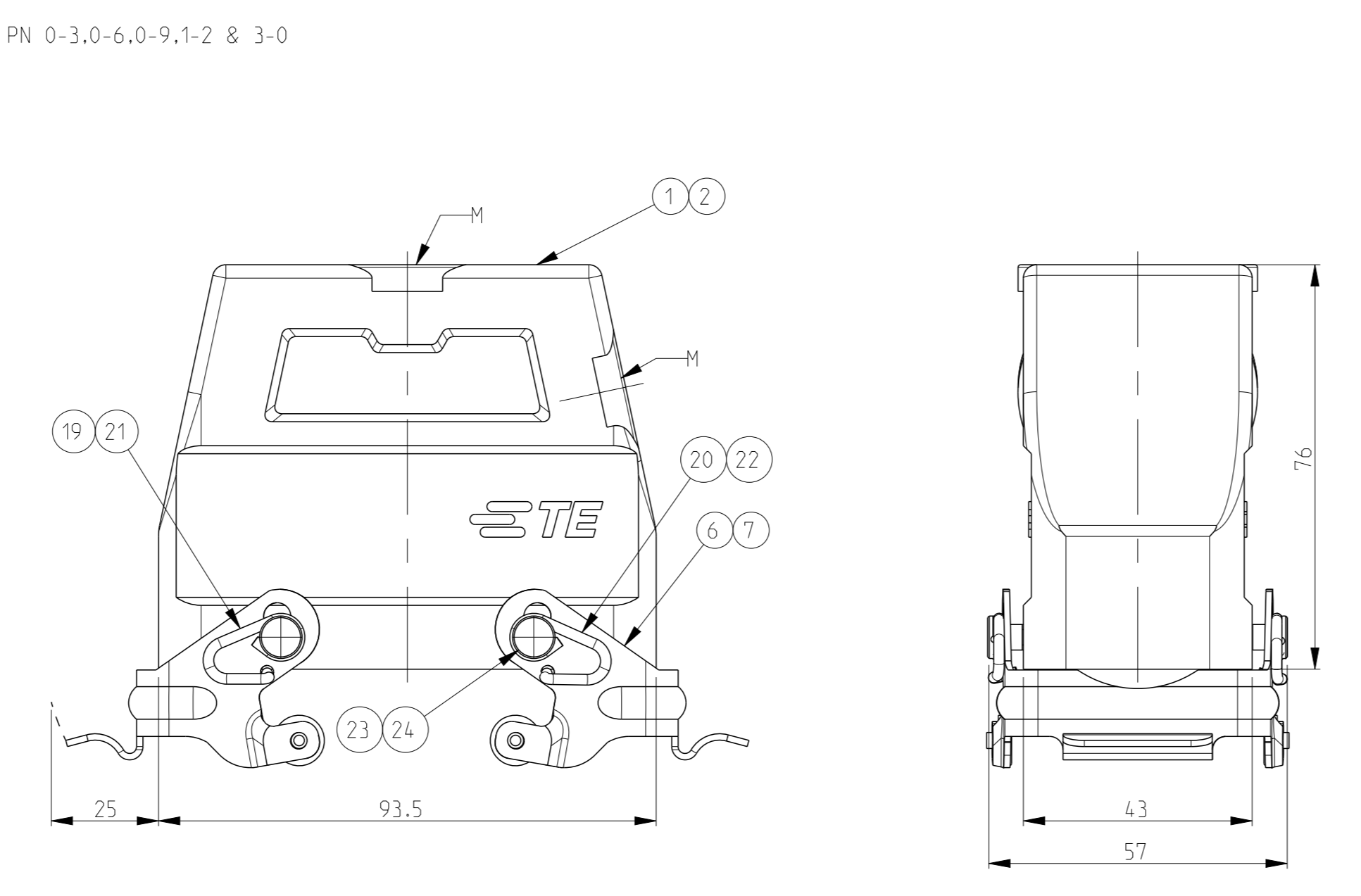
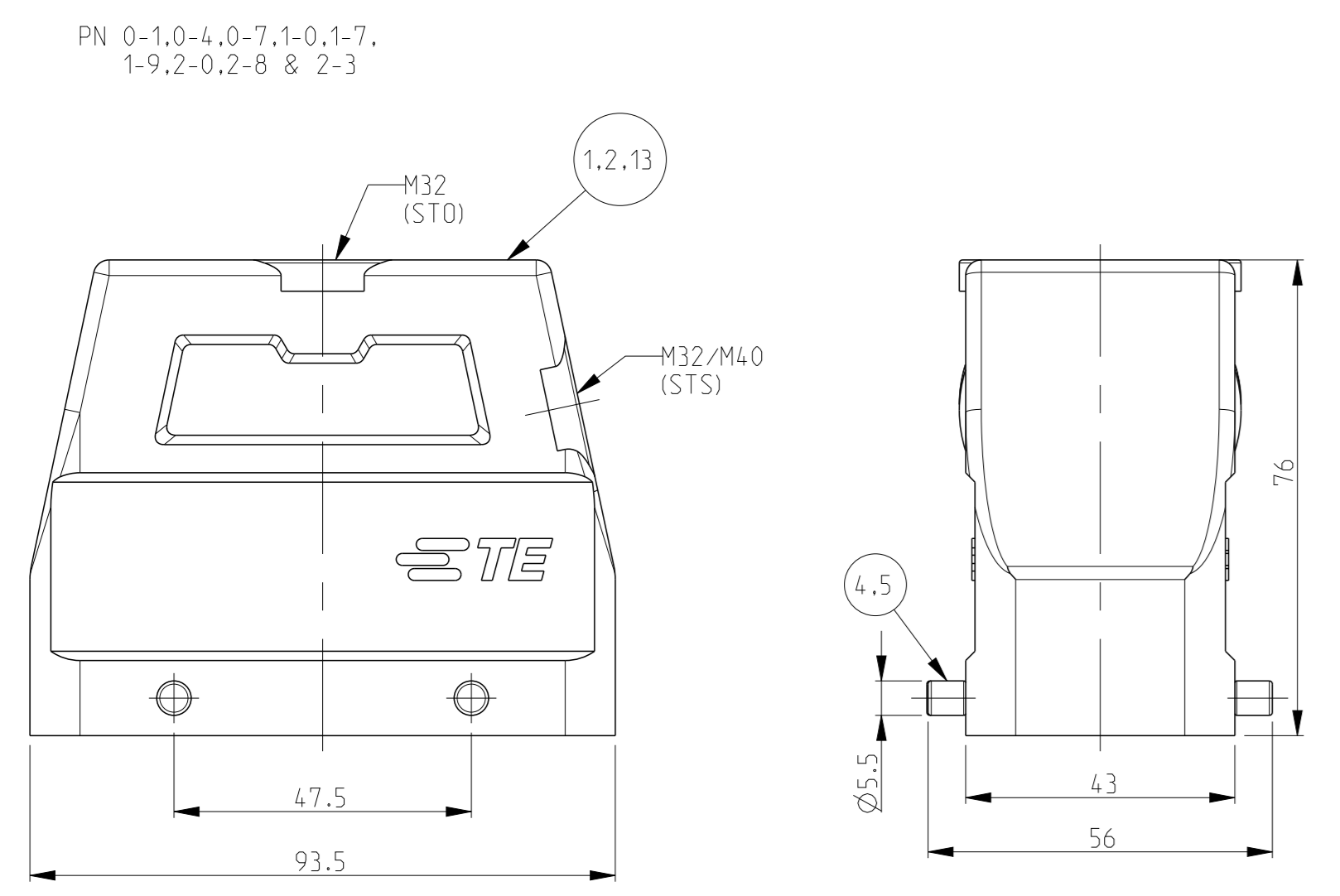
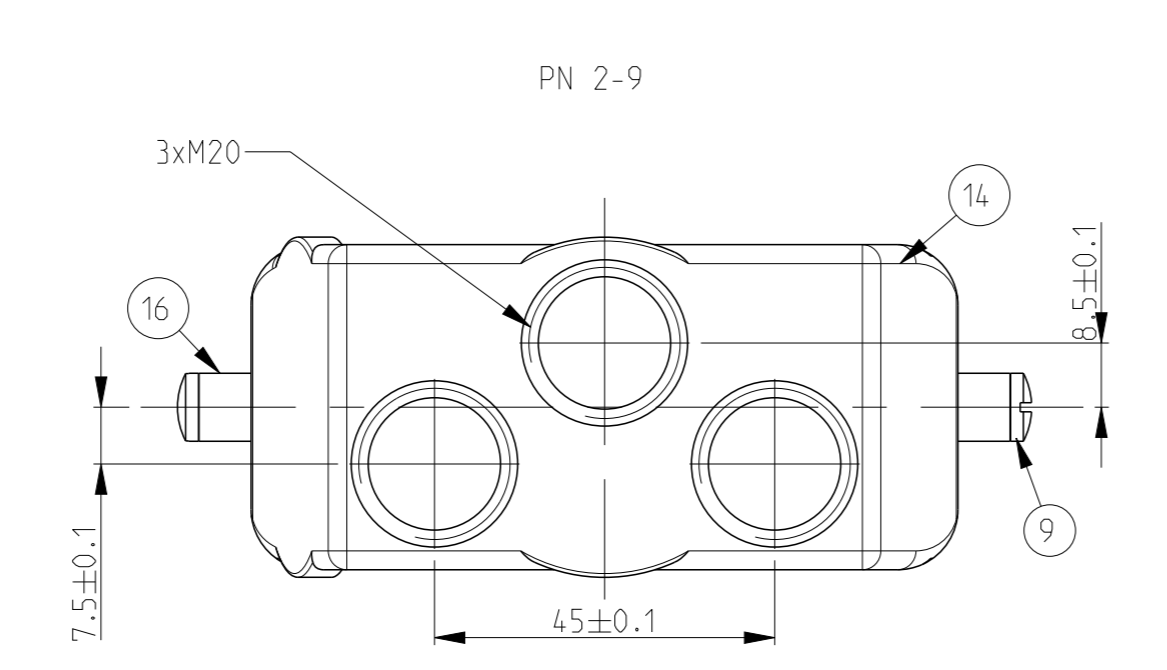
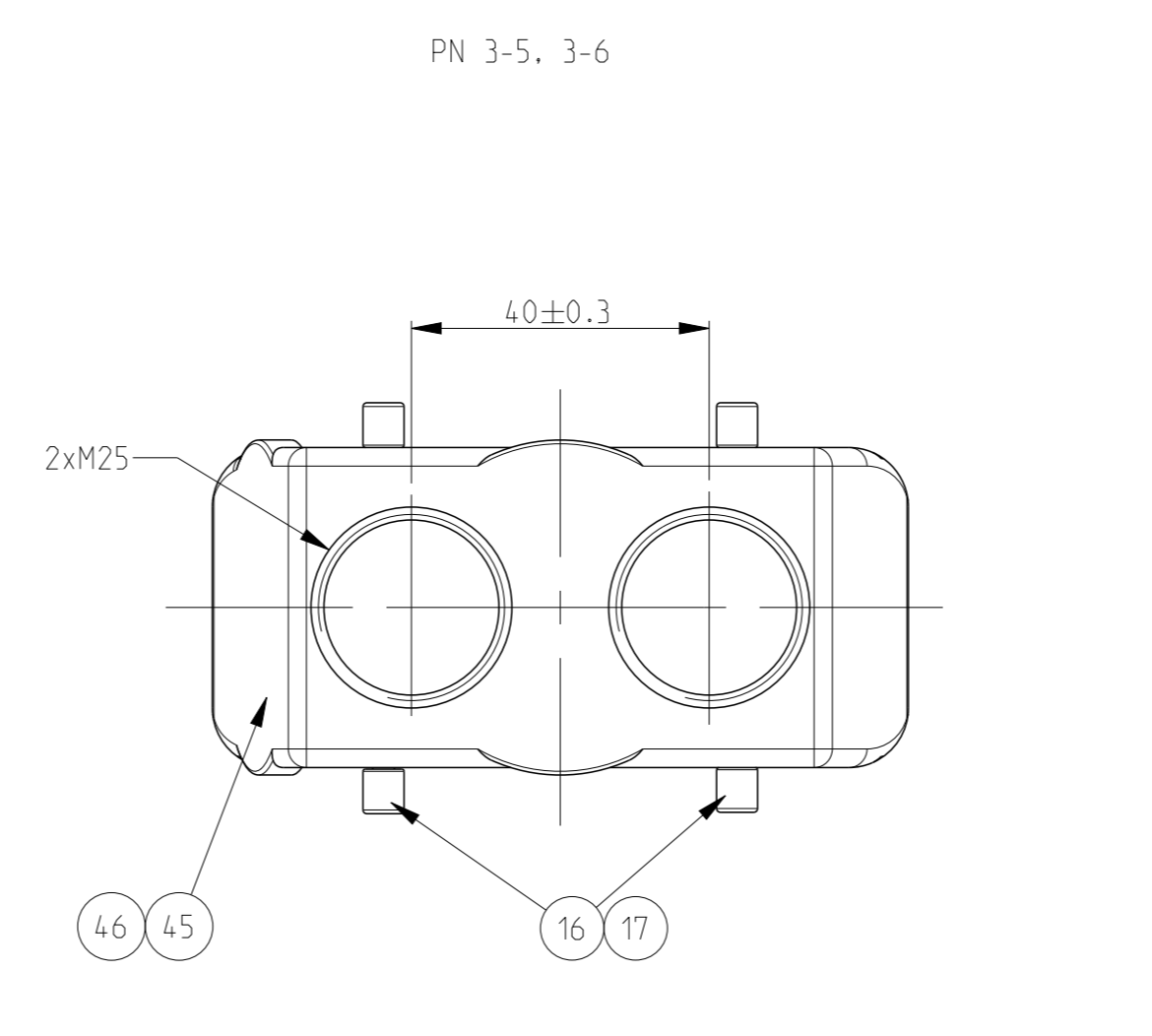
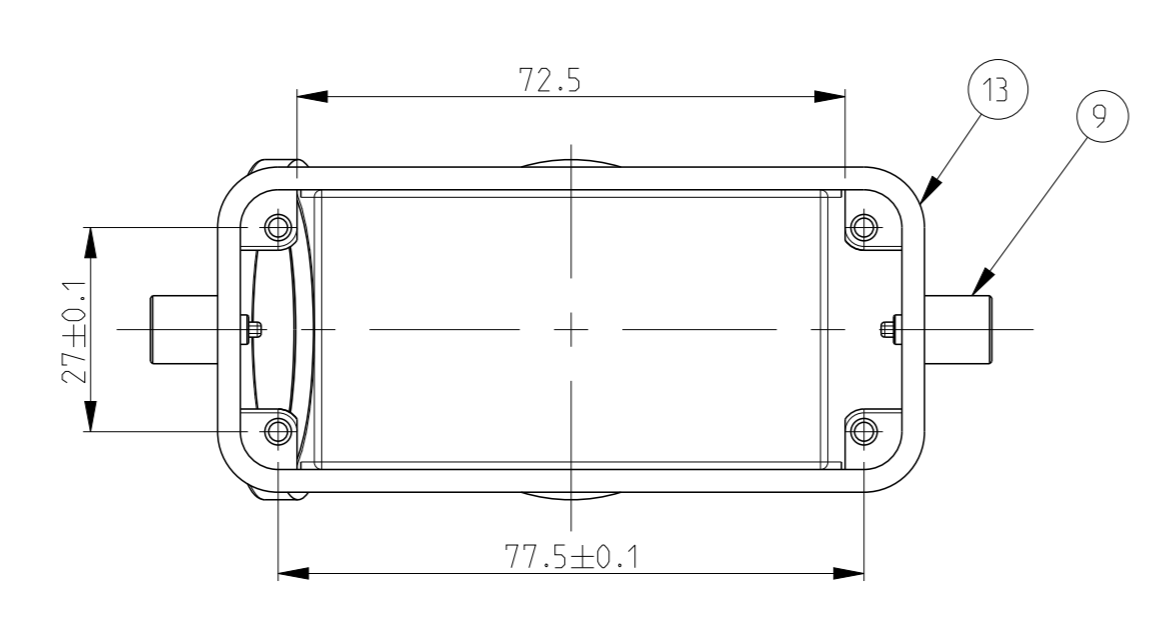


REV	DATE	DESCRIPTION	BY	APPD
A18	ECR-14-014129		29SEP2014	GR MKO
A19	ECR-15-000619		21AUG2015	GR MKO
A20	ECR-16-016696		18SEP2017	GR MKO
A21	REVISED PER ECR-16-016780		30JAN2018	SRG MKO
A22	ECR-17-014013		23MAR2018	SG MKO



Valid only for PN 2-7 and 2-8  
 Landing at measure 72.5 (20mm Deep) milled off : bothsides



REV	DATE	DESCRIPTION	BY	APPD	MATERIAL	SURFACE	COLOR	ITEM NO	NOTES
4					HD-K HOOD	ALUMINIUM	BLACK	46	M5
4					HD HOOD	ALUMINIUM	GREY	45	
1					HD HOOD	ALUMINIUM		44	WITHOUT LOGO&DRILLING
1					HD HOOD	ALUMINIUM		43	WITHOUT LOGO&DRILLING
1					HD HOOD	ALUMINIUM	UNPAINTED	41	SINGLE PART
2					HD HOOD	ALUMINIUM	GREY	40	3xM20
2					LD-CLIP BOLT	STEEL	ZINC PLATED	39	M5
2					HD-K HOOD	ALUMINIUM	ALUMINIUM OXIDE	38	
2					HD-K HOOD	ALUMINIUM	ALUMINIUM OXIDE	37	
2					HD HOOD	ALUMINIUM	GREY	36	WITH OUT TE-LOGO
2					HD HOOD	ALUMINIUM	GREY	35	WITH OUT TE-LOGO
2					HD HOOD	ALUMINIUM	GREY	34	WITH OUT TE-LOGO
2					HD HOOD	ALUMINIUM	GREY	33	
2					ZB-CLIP POSITIONER	STAINLESS STEEL		32	
2					ZB-CLIP POSITIONER	STEEL	ZINC PLATED	31	
2					ZB-LOCKING CLIP	STAINLESS STEEL	BLANK	30	
2					ZB-LOCKING CLIP	STEEL	ZINC PLATED	29	
2					LD-SLIDE SPOOL	STEEL	ZINC PLATED	28	
2					LD-CLIP BOLT	STAINLESS STEEL	BLANK	27	
2					LD-CLIP BOLT	STEEL	ZINC PLATED	26	
2					VS-CLIP SPRING RIGHT	STAINLESS STEEL	BLANK	25	
2					VS-CLIP SPRING RIGHT	STEEL	ZINC PLATED	24	
2					VS-CLIP SPRING LEFT	STAINLESS STEEL	BLANK	23	
2					VS-CLIP SPRING LEFT	STEEL	ZINC PLATED	22	
2					VS-CLIP POSITIONER	STAINLESS STEEL	BLANK	21	
2					VS-CLIP POSITIONER	STEEL	ZINC PLATED	20	
2					VS-LOCKING CLIP	STAINLESS STEEL	BLANK	19	
2					VS-LOCKING CLIP	STEEL	ZINC PLATED	18	
2					VS-CLIP BOLT	STAINLESS STEEL	BLANK	17	
2					VS-CLIP BOLT	STEEL	ZINC PLATED	16	
2					HD HOOD	ALUMINIUM	GREY	15	WITH OUT TE-LOGO
2					HD HOOD	ALUMINIUM	GREY	14	WITH OUT TE-LOGO
2					HD HOOD	ALUMINIUM	GREY	13	WITH OUT TE-LOGO
2					HD HOOD	ALUMINIUM	GREY	12	WITH OUT TE-LOGO
2					HD HOOD	ALUMINIUM	GREY	11	
2					HD HOOD	ALUMINIUM	GREY	10	
2					HD-K HOOD	ALUMINIUM	ALUMINIUM OXIDE	9	
2					HD-K HOOD	ALUMINIUM	ALUMINIUM OXIDE	8	
2					HD-K HOOD	ALUMINIUM	ALUMINIUM OXIDE	7	
2					HD-K HOOD	ALUMINIUM	ALUMINIUM OXIDE	6	
2					HD-K HOOD	ALUMINIUM	ALUMINIUM OXIDE	5	
2					HD HOOD	ALUMINIUM	GREY	4	
2					HD HOOD	ALUMINIUM	GREY	3	
2					HD HOOD	ALUMINIUM	GREY	2	
2					HD HOOD	ALUMINIUM	GREY	1	

- NOTES
- ▲ MATERIAL-HOUSING ALUMINIUM DIECASTING ALLOY
  - ▲ SURFACE-POWDER VARNISH-GREY - VARNISH-BLACK
  - 3 VARNISH ON THE INSIDE NOT NECESSARY
  - ▲ WITH OUT TE LOGO
  - ▲ PACKAGING QUANTITY 5 PIECES IN A BOX

THIS DRAWING IS A CONTROLLED DOCUMENT. DATE: 16.01.2002  
 DIMENSIONS: (mm) SCHNEIDER / SCHNEIDER  
 PRODUCT SPEC: HOOD  
 APPLICATION SPEC: HD.40.STO/STS.M32/M40.G  
 MATERIAL: ALUMINIUM  
 FINISH: -  
 WEIGHT: -  
 CUSTOMER DRAWING: A0 00779 ©=1106452  
 SCALE: 1:1 SHEET 1 OF 1

## **X-ON Electronics**

Largest Supplier of Electrical and Electronic Components

*Click to view similar products for [Heavy Duty Power Connectors](#) category:*

*Click to view products by [TE Connectivity](#) manufacturer:*

Other Similar products are found below :

[1424439](#) [1424438](#) [09330062652](#) [605601-1](#) [6340G1](#) [6341G1](#) [6360G1](#) [6373G1](#) [6374g2](#) [6396G1](#) [647757-1](#) [6643411-1](#) [6646058-2](#) [6646137-1](#)  
[6646138-1](#) [6646348-1](#) [6646479-1](#) [6646608-1](#) [6646786-1](#) [6646940-1](#) [6651525-1](#) [6651529-1](#) [6651778-1](#) [6651788-1](#) [696465-1](#) [696475-1](#)  
[73000005059](#) [73000005349](#) [73000005642](#) [73080965046](#) [765-15-0080A](#) [765-16-0080B](#) [789.700-44](#) [789.700-54](#) [80-1010](#) [80-9](#) [827381-1](#)  
[829992-1](#) [902-77-02113](#) [PL00U-301-10D10](#) [PM103MOOLOO](#) [PM212MOOLOO](#) [PM309FOOLOO](#) [PM324FOOLCH](#) [PMHPAF11S03](#)  
[PMHPAF14S01](#) [PMHPAM14P05](#) [PMHPAS06](#) [PMHPBF14S01](#) [PP45PC12S](#)