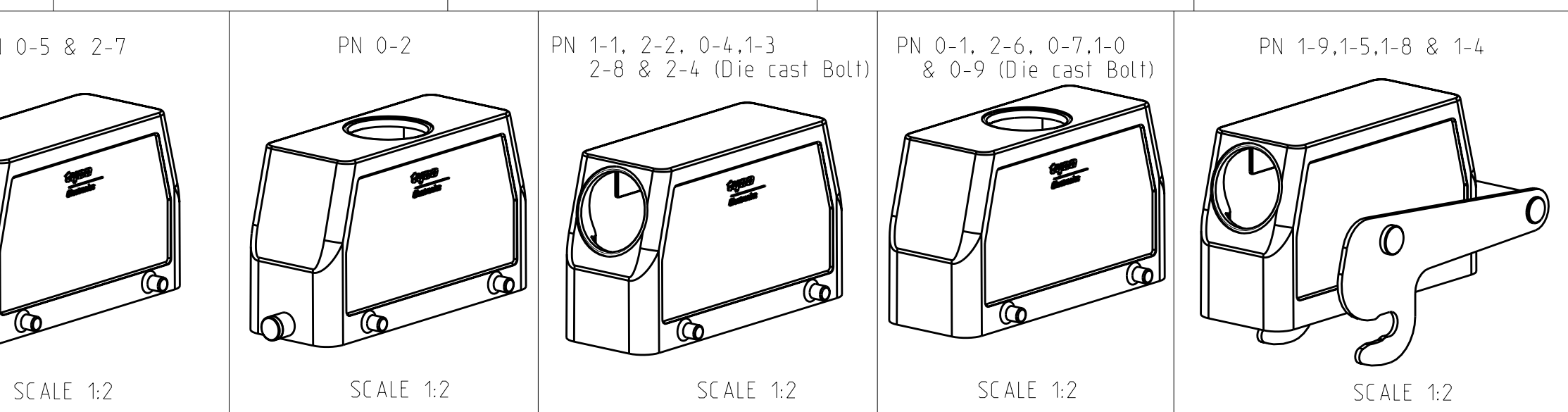
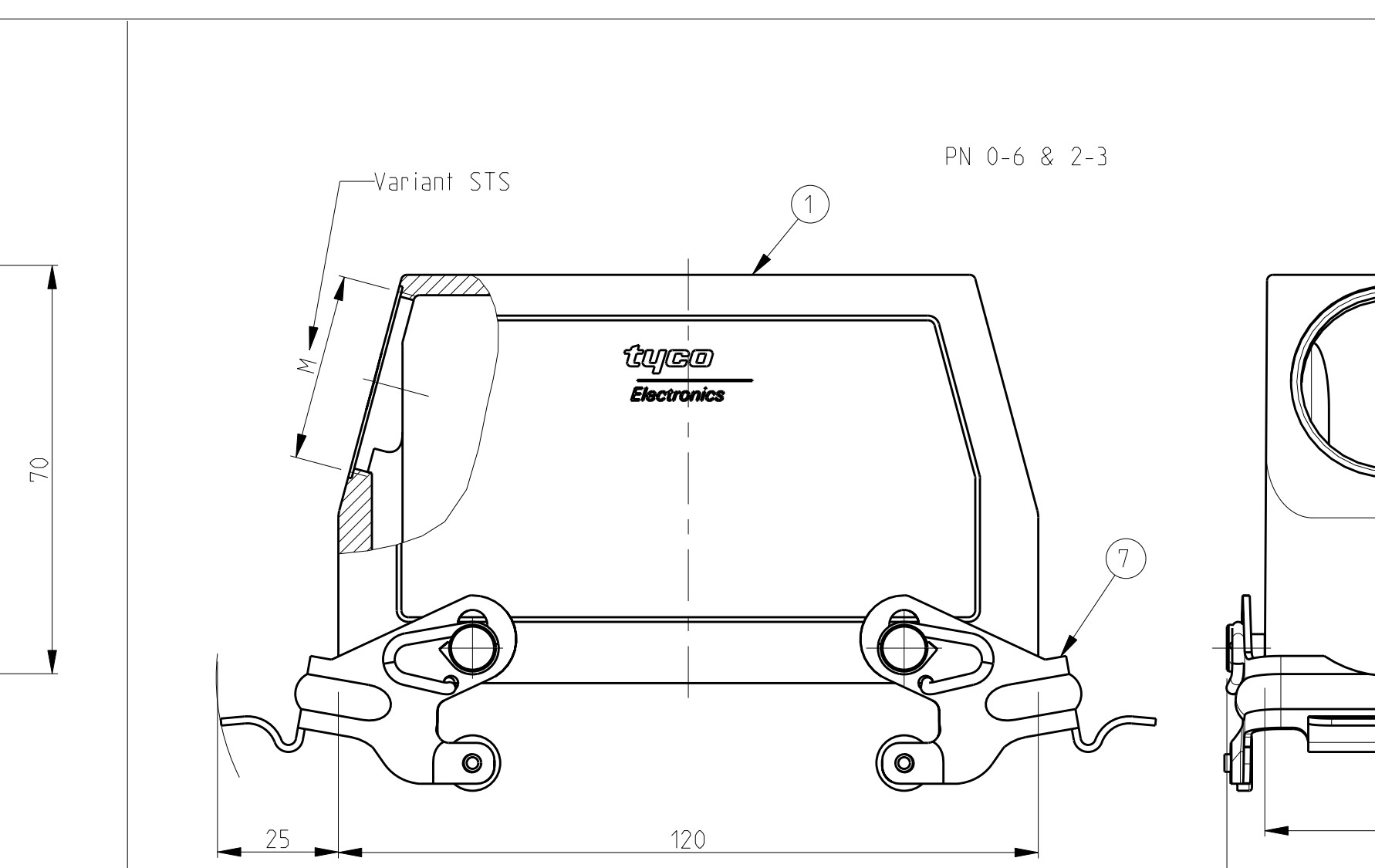
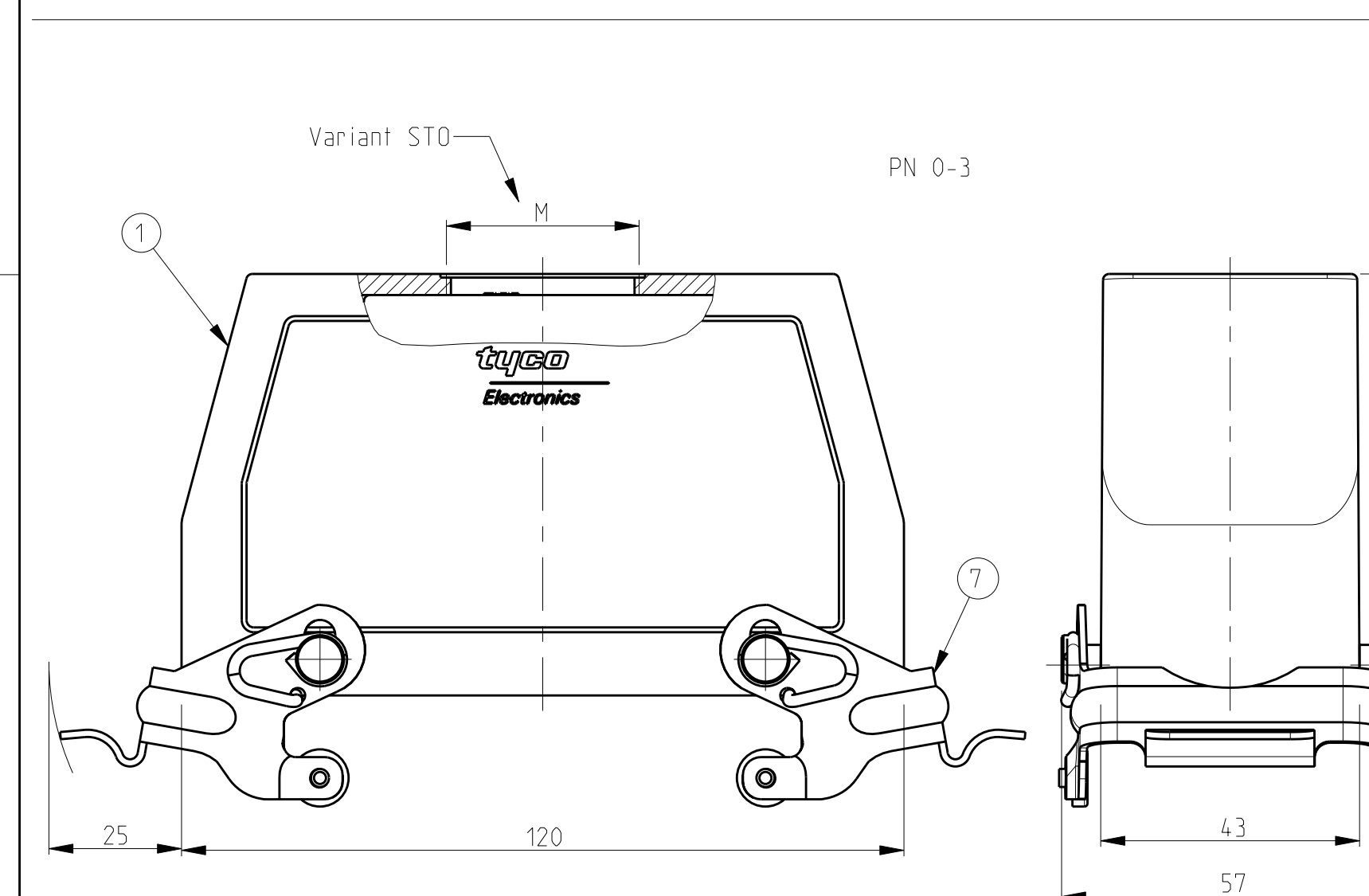
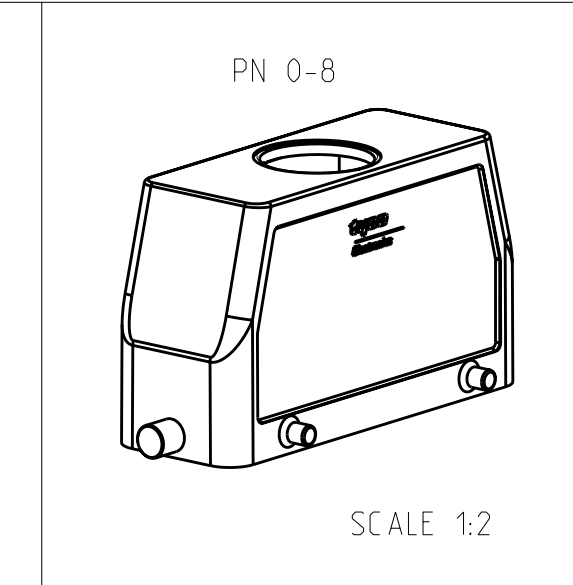
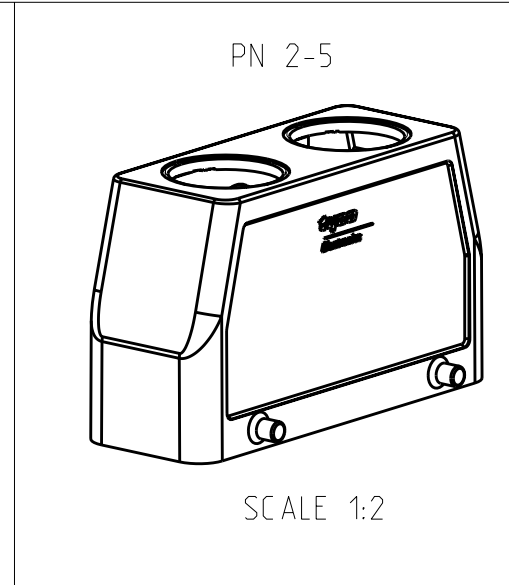
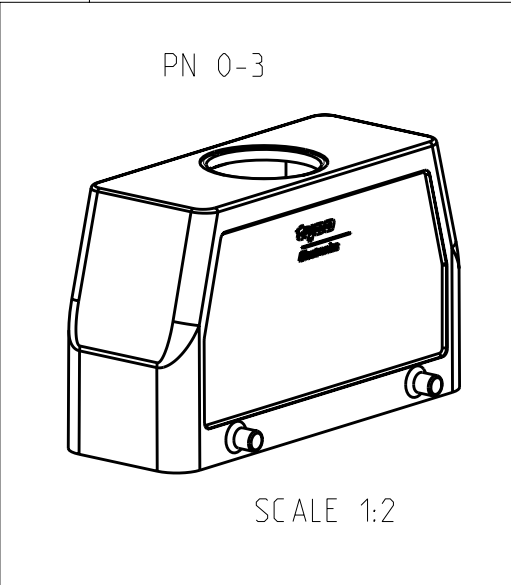
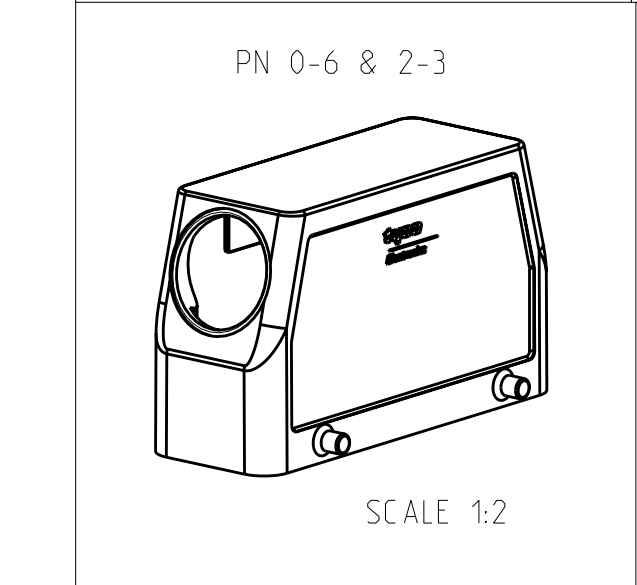
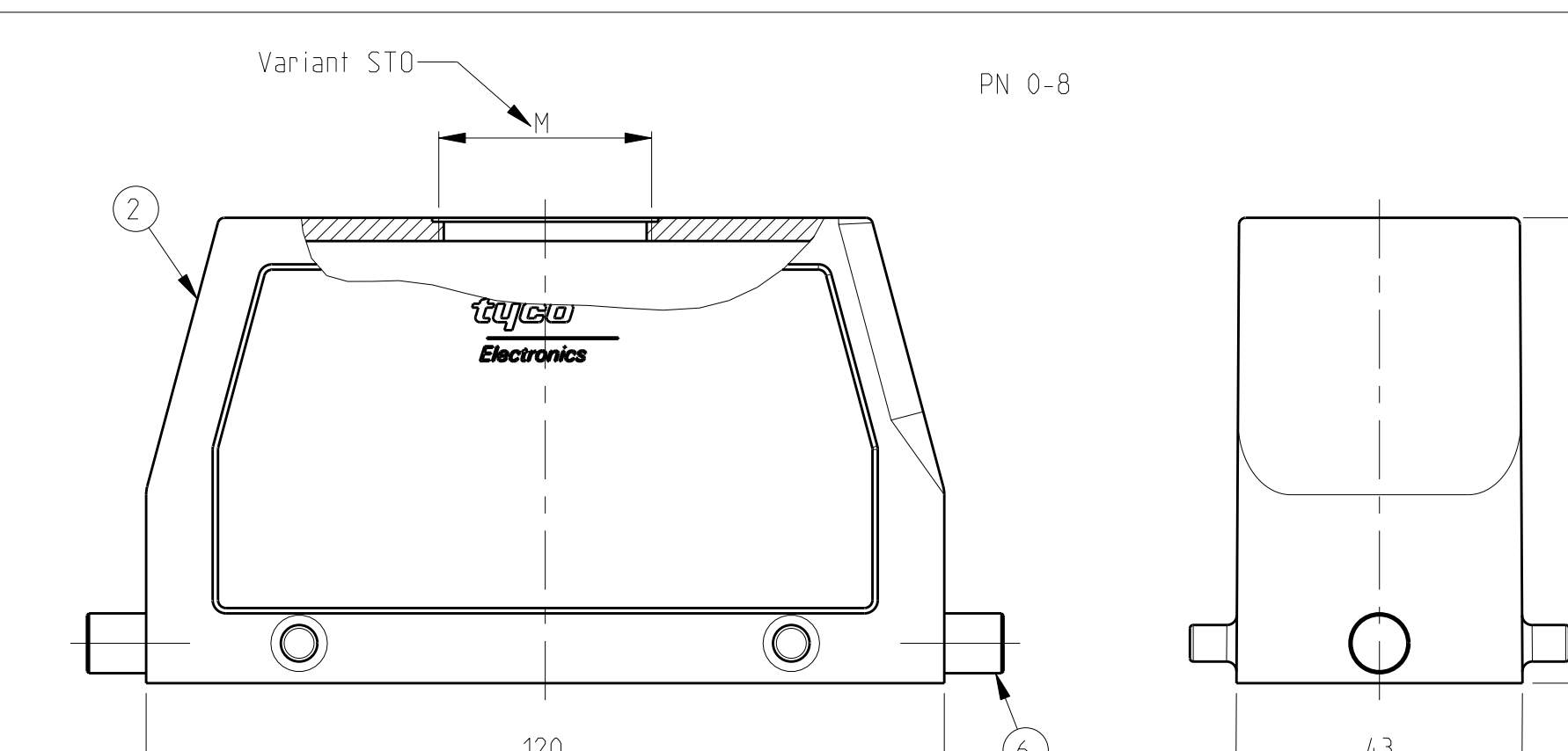
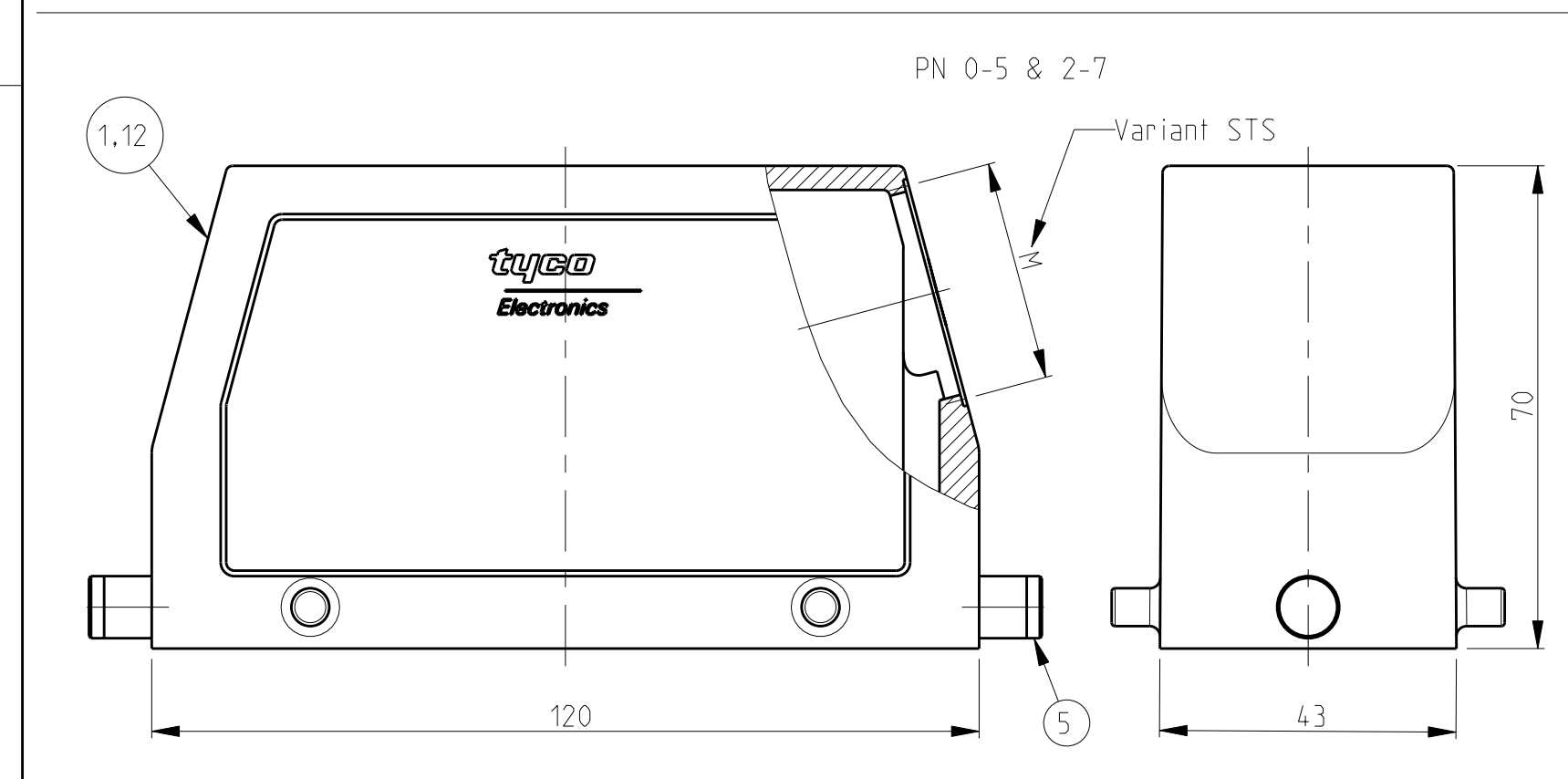
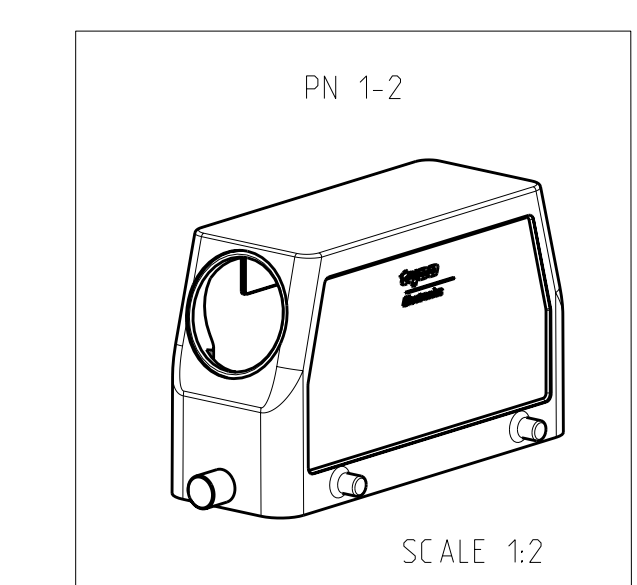
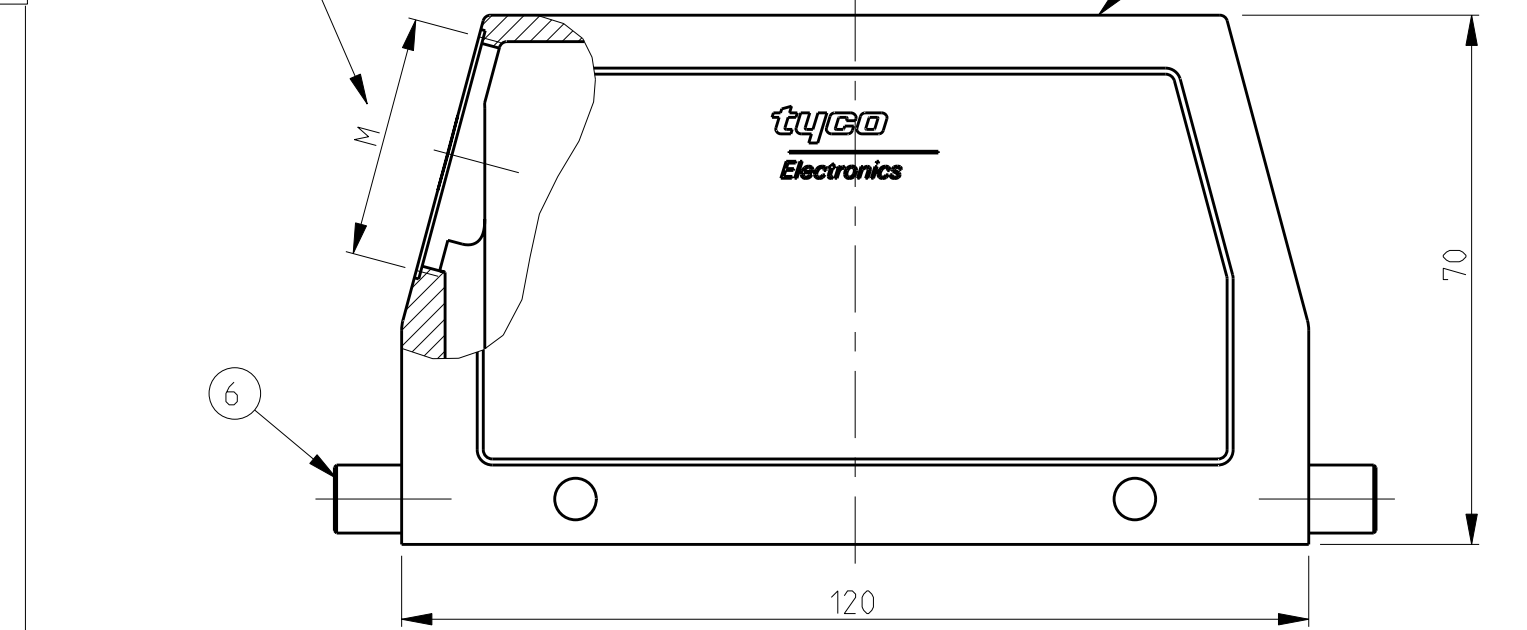
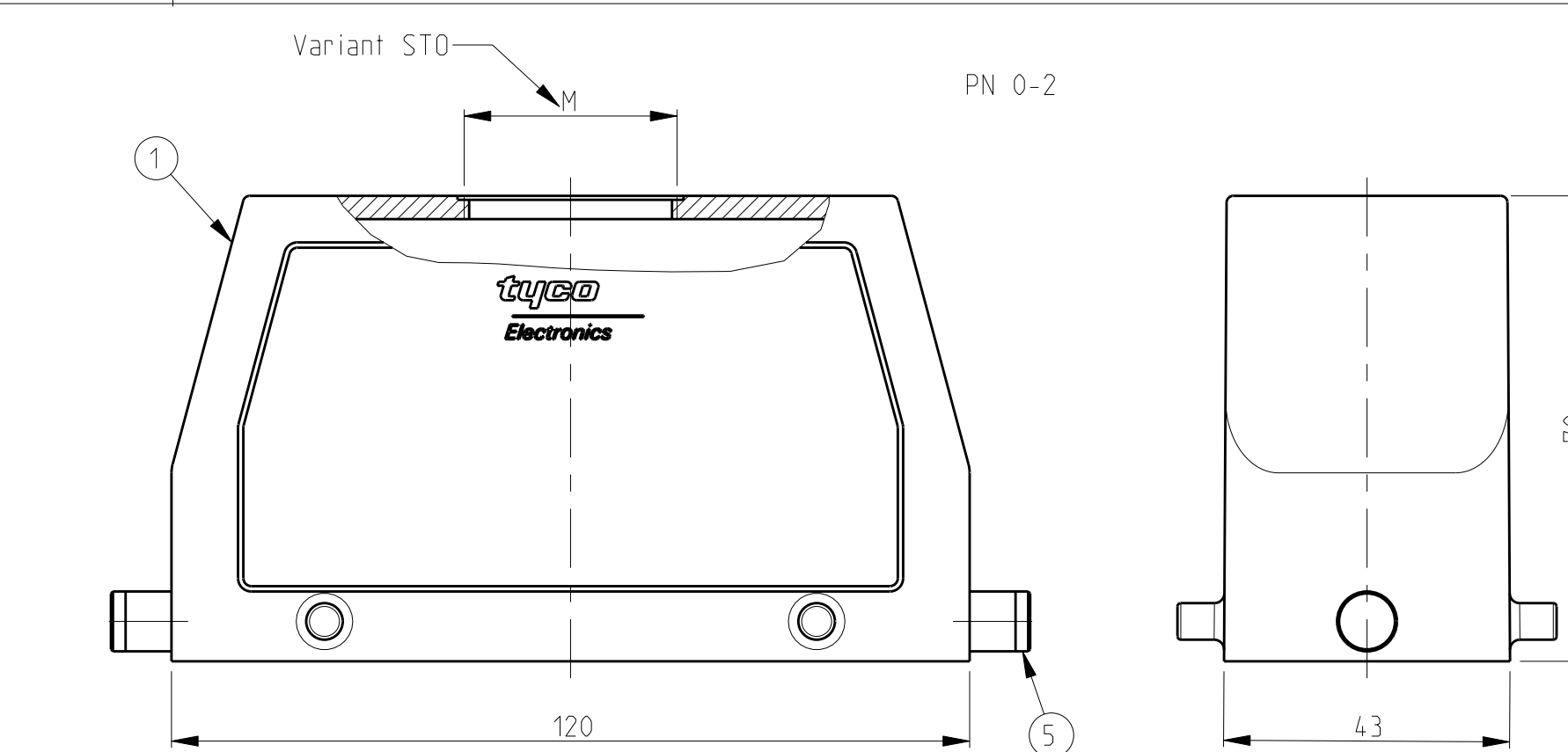
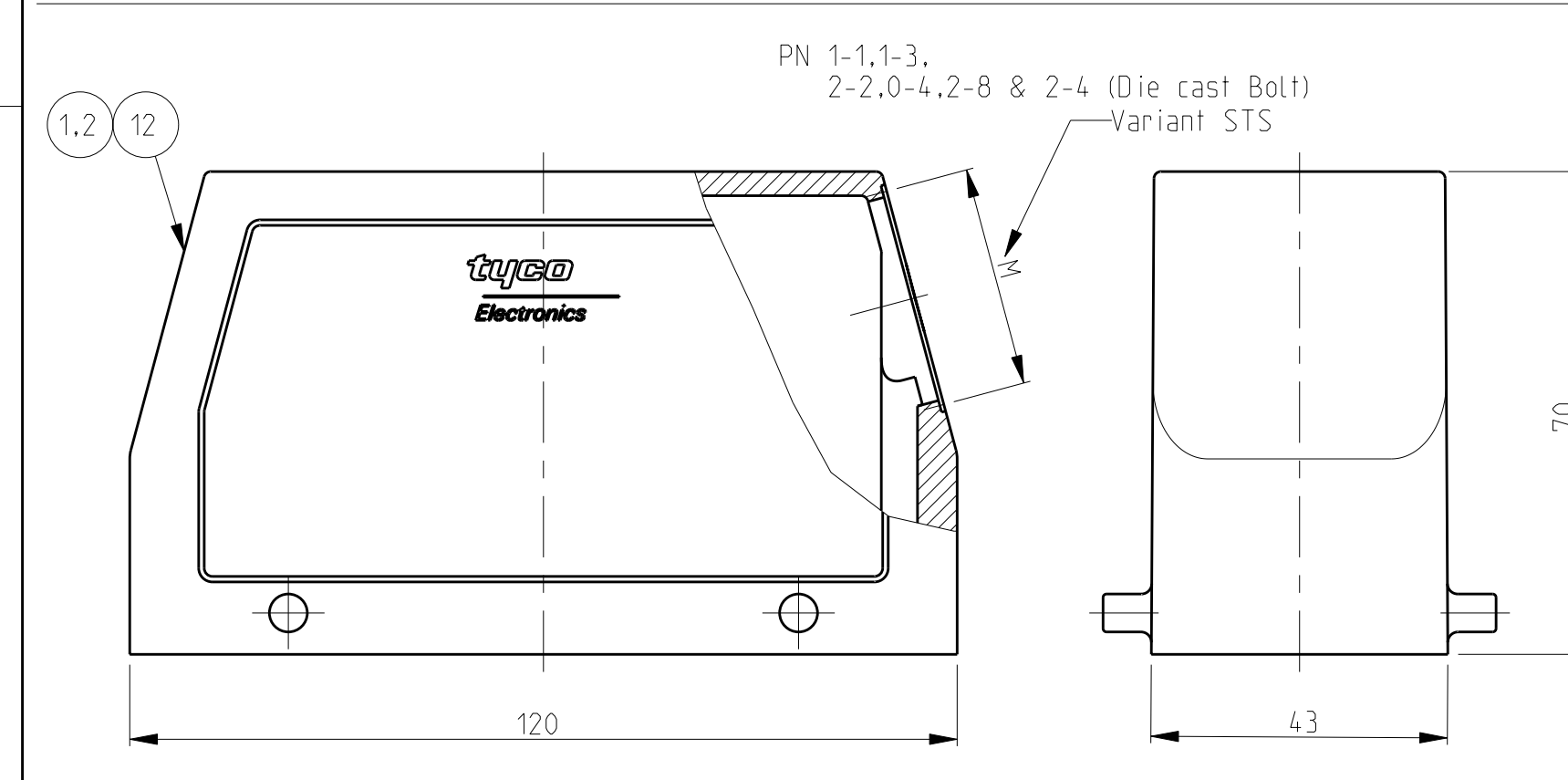


LOC		DIST		REVISIONS			
AI		P	LTB	DESCRIPTION	DATE	DWN	APVD
		A9		Released as per ECR-08-011918	12.May.2008	SP	TS

NOTES:

- Material:Housing:Aluminium Diecasting Alloy
- Surface:Powder Vannish Grey
-Aluminium Oxide +
Vannish Black
-Chromit Passivation +
Vannish Black
- Vannish on the inside not necessary
- Special Packaging
- Packaging
Quantity 5 Pieces in a box



ITEM	QTY	DESCRIPTION	MATERIAL	SURFACE	COLOR	ITEM NO	NOTES
1	1	HB-EMV Hood	Aluminium	Aluminium Chromated	Black	12	
2	1	HB Hood	Aluminium		Grey	11	2xM32
3	1	ZB Central clip	Stainless Steel	Blank	Blue	10	
4	1	ZB Central clip	Steel	Zinc Plated	Blue	9	
5	1	YS Locking clip	Stainless Steel	Blank	Blue	8	
6	1	YS Locking clip	Steel	Zinc Plated	Blue	7	
7	1	LB Clip bolt	Stainless Steel	Blank	Blue	6	
8	1	LB Clip bolt	Steel	Zinc Plated	Blue	5	
9	1	VS Locking clip bolt	Stainless Steel	Blank	Grey	4	
10	1	HB-EMV Hood	Aluminium		Grey	1	
11	1	HB-K Hood	Aluminium	Aluminium Oxide	Black	2	
12	1	HB Hood	Aluminium		Grey	1	

OBSCLETE

ITEM	QTY	DESCRIPTION	MATERIAL	SURFACE	COLOR	ITEM NO	NOTES
1	1	HB-EMV Hood	Aluminium	Aluminium Chromated	Black	12	
2	1	HB Hood	Aluminium		Grey	11	2xM32
3	1	ZB Central clip	Stainless Steel	Blank	Blue	10	
4	1	ZB Central clip	Steel	Zinc Plated	Blue	9	
5	1	YS Locking clip	Stainless Steel	Blank	Blue	8	
6	1	YS Locking clip	Steel	Zinc Plated	Blue	7	
7	1	LB Clip bolt	Stainless Steel	Blank	Blue	6	
8	1	LB Clip bolt	Steel	Zinc Plated	Blue	5	
9	1	VS Locking clip bolt	Stainless Steel	Blank	Grey	4	
10	1	HB-EMV Hood	Aluminium		Grey	1	
11	1	HB-K Hood	Aluminium	Aluminium Oxide	Black	2	
12	1	HB Hood	Aluminium		Grey	1	

DIMENSIONS: mm
 TOLERANCES UNLESS OTHERWISE SPECIFIED:
 0 PLC
 10-74.001
 108-74.003
 114-74.001
 114-74.004
 MATERIAL: ALUMINIUM
 FINISH: H-H-H-H
 WEIGHT: -
 CUSTOMER DRAWING: -
 SCALE: 1:1 SHEET: 1 OF 1 REV: A9

X-ON Electronics

Largest Supplier of Electrical and Electronic Components

Click to view similar products for [Heavy Duty Power Connectors](#) category:

Click to view products by [TE Connectivity](#) manufacturer:

Other Similar products are found below :

[647757-1](#) [6643411-1](#) [6646058-2](#) [6646137-1](#) [6646138-1](#) [6646479-1](#) [6646608-1](#) [6646786-1](#) [6646940-1](#) [6651091-1](#) [6651525-1](#) [6651529-1](#)
[6651788-1](#) [696475-1](#) [702-32-01109](#) [703-25-02205](#) [73000005059](#) [73000005642](#) [73080255059](#) [73080965046](#) [765-15-0080A](#) [765-16-0080B](#)
[765-18-0080D](#) [829992-1](#) [902-77-02113](#) [PS00/A0620/6300](#) [PS25/A0420/63](#) [129-1J](#) [1409400](#) [AN0024023](#) [E6374G1](#) [e6389g2](#) [157-43GW8](#)
[MS3117-14AC](#) [1643543-1](#) [1650540-1](#) [1651811-2](#) [1766260-1](#) [1766282-1](#) [1766966-1](#) [1791340000](#) [NLDFT-3-BL-L-S120-M40A](#) [NLDFT-N-](#)
[W-L-C240-M40B](#) [NLS-2-R-C240-M40B](#) [NLS-N-W-C240-M40B](#) [NPS-3-BL-T6](#) [1986615-1](#) [2-1589900-8](#) [2199314-1](#) [KA8102](#)