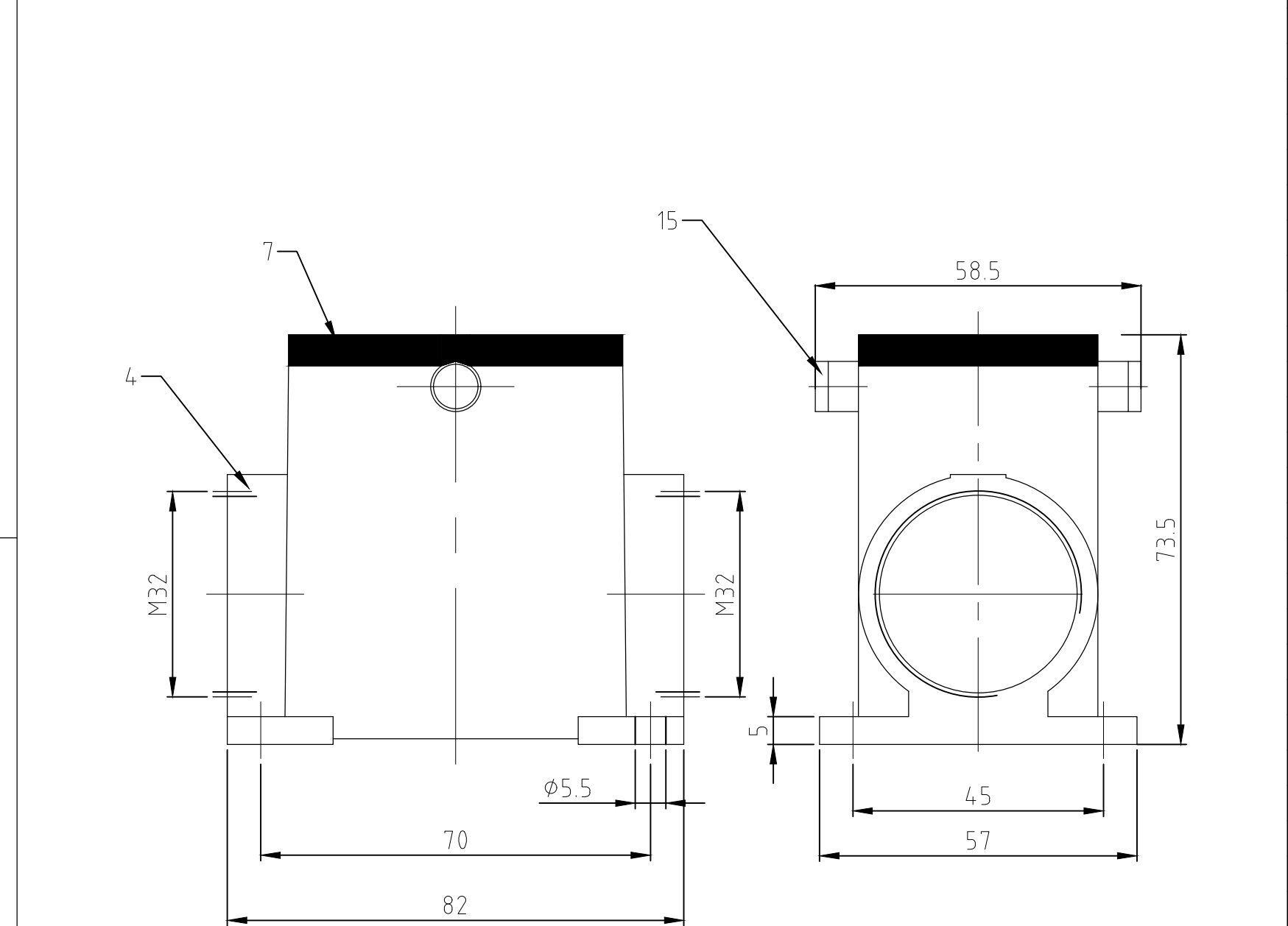
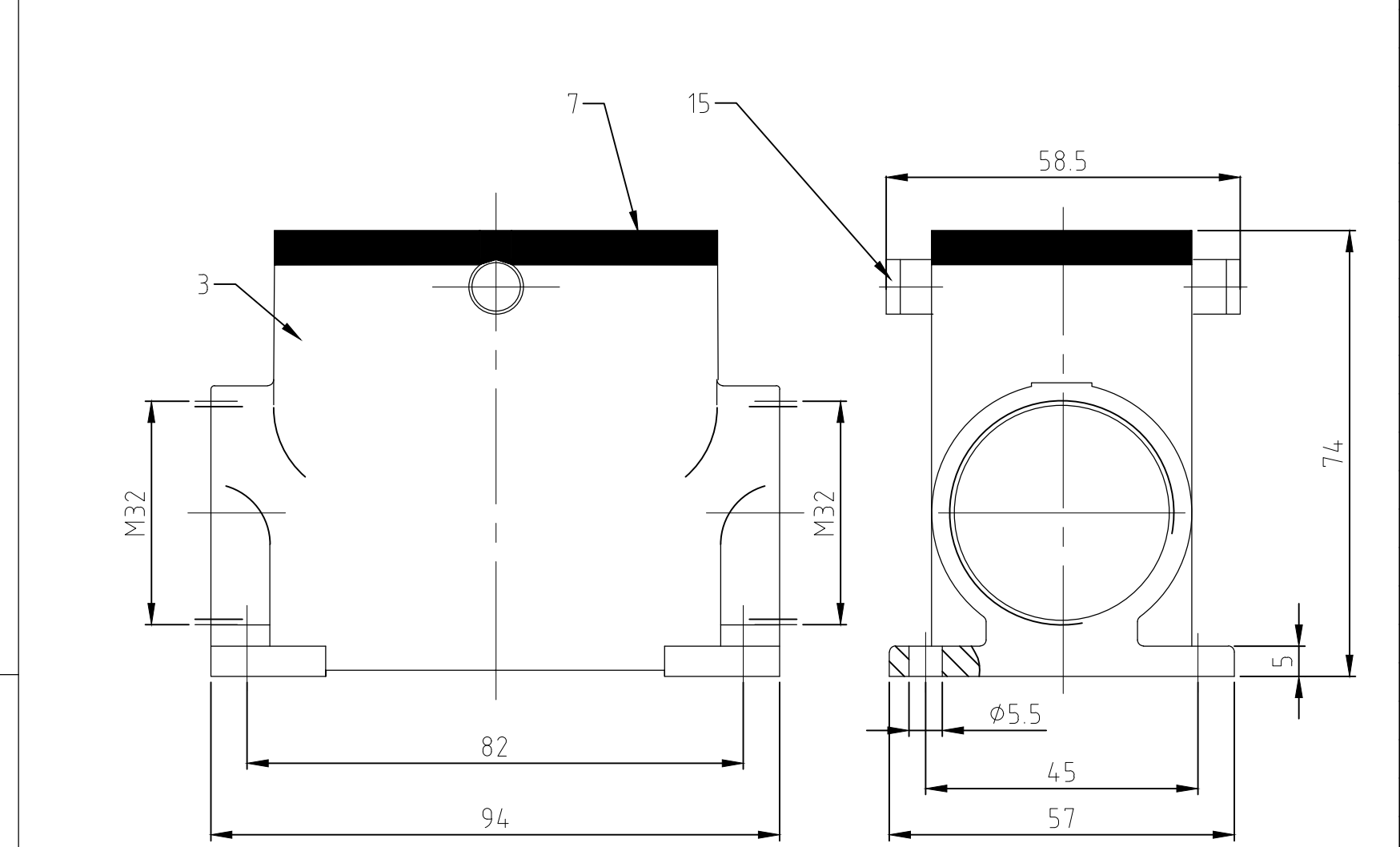


REVISIONS				
NO.	DATE	DESCRIPTION	BY	APPV
A7	08FEB2018	REVISED PER ECR-17-014013	SRG	MKO



- NOTES:
- Material: Housing: aluminium diecasting alloy
Seals: NEOPRENE
 - SURFACE: VARNISH- GREY
- ALUMINIUM OXID +
VARNISH BLACK
 - PACKAGING:
PACKAGING QUANTITY: 5 PIECES
 - SPECIAL PACKAGING: Krauss-Maffei
PACKAGING UNIT: 50 PIECES IN Krauss-Maffei-Box
 - WITHOUT HTS LOGO
 - VARNISH ON THE INSIDE NOT NECESSARILY

QTY	DESCRIPTION	MATERIAL	SURFACE	COLOR	FINISH	REMARKS
1	cover	aluminium/ALU		grau	20	ohne Logo
2	clip positioner	steel	verzinkt/zink plated	blue	19	
2	clip bolt	steel		blue	18	
1	Blanking Piece with Seal	steel		blue	17	M64
1	surface mounted housing side entry	aluminium/ALU		grau	16	ohne Logo
2	clip bolt	stainless steel			15	
2	clip bolt	steel	zink plated	blue	14	
1	side clip	stainless steel			13	
1	side clip	steel	zink plated	blue	12	
1	clip positioner	stainless steel			11	
2	clip positioner	steel	zink plated	blue	10	
2	clip bolt	stainless steel			9	
4	clip bolt	steel	zink plated	blue	8	
1	seal	Neoprene		schwarz	7	
1	cover	aluminium/ALU	aluminium oxid	schwarz	6	
1	cover	aluminium/ALU		grau	5	
1	surface mounted housing side entry	aluminium/ALU	aluminium oxid	schwarz	4	BG3
1	surface mounted housing side entry	aluminium/ALU	aluminium oxid	schwarz	3	BG4
1	surface mounted housing side entry	aluminium/ALU	aluminium oxid	schwarz	2	BG8
1	surface mounted housing side entry	aluminium/ALU		grau	1	

THIS DRAWING IS A CONTROLLED DOCUMENT. DIESE ZEICHNUNG IST EIN KONTROLLIERTES DOKUMENT.		DBN Schneider 30.09.03	CIK Schweiger 30.09.03
DIMENSIONS: MASSEINHEITEN: mm		TOLERANCES UNLESS OTHERWISE SPECIFIED: ALL DIMENSIONS TOLERANCES P: ISO 9001 - mH - E DIN 16901 - T10	
MATERIAL		APPLICATION SPEC VERFABRICATIONSBEZUG 114-74001	PRODUCT SPEC PROGRAMM SPEC 108-74003
WEIGHT GEWICHT		SCALE MASSSTAB: 1:1	SIZE FORMAT: A1
CUSTOMER DRAWING / KUNDENZEICHNUNG		DRAWING NO. ZEICHNUNGS-NR. 00779	RESTRICTED TO SURFACER REV A7

X-ON Electronics

Largest Supplier of Electrical and Electronic Components

Click to view similar products for [Heavy Duty Power Connectors](#) category:

Click to view products by [TE Connectivity](#) manufacturer:

Other Similar products are found below :

[1424439](#) [1424438](#) [09330062652](#) [605601-1](#) [6340G1](#) [6341G1](#) [6360G1](#) [6373G1](#) [6374g2](#) [6396G1](#) [647757-1](#) [6643411-1](#) [6646058-2](#) [6646137-1](#)
[6646138-1](#) [6646348-1](#) [6646479-1](#) [6646608-1](#) [6646786-1](#) [6646940-1](#) [6651525-1](#) [6651529-1](#) [6651778-1](#) [6651788-1](#) [696465-1](#) [696475-1](#)
[73000005059](#) [73000005349](#) [73000005642](#) [73080965046](#) [765-15-0080A](#) [765-16-0080B](#) [789.700-44](#) [789.700-54](#) [80-1010](#) [80-9](#) [827381-1](#)
[829992-1](#) [902-77-02113](#) [PL00U-301-10D10](#) [PM103MOOLOO](#) [PM212MOOLOO](#) [PM309FOOLOO](#) [PM324FOOLCH](#) [PMHPAF11S03](#)
[PMHPAF14S01](#) [PMHPAM14P05](#) [PMHPAS06](#) [PMHPBF14S01](#) [PP45PC12S](#)