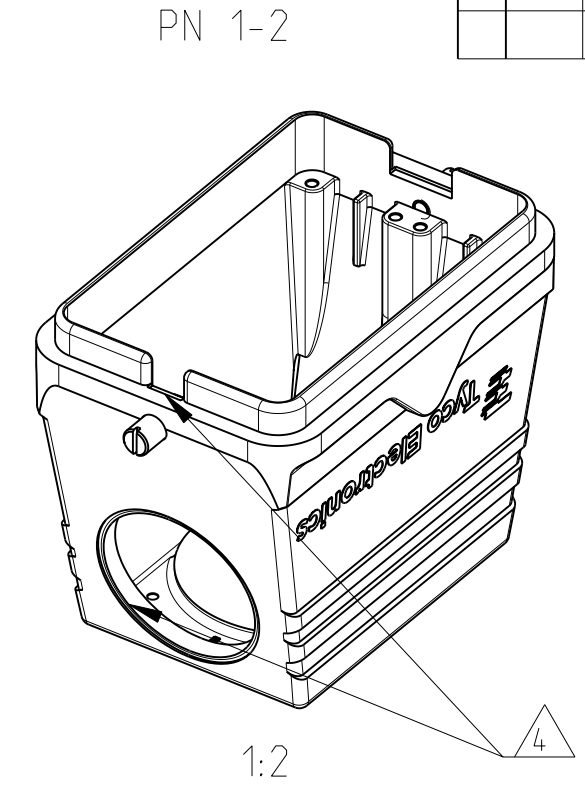
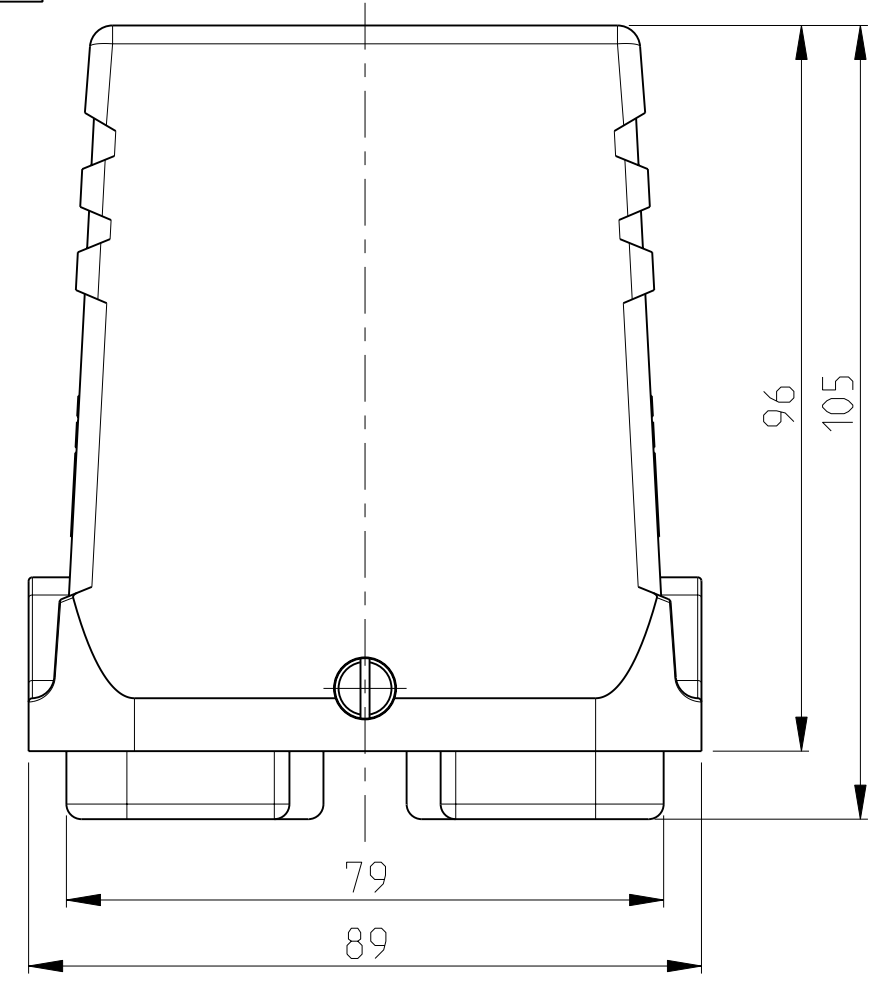
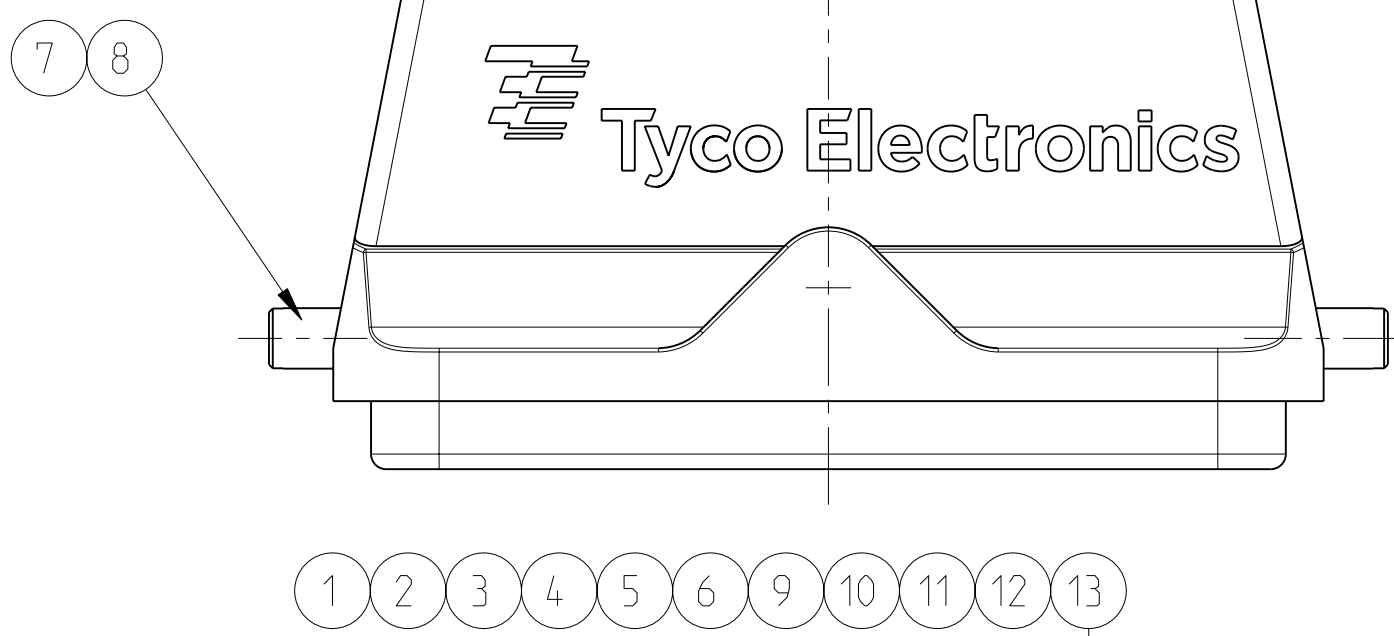


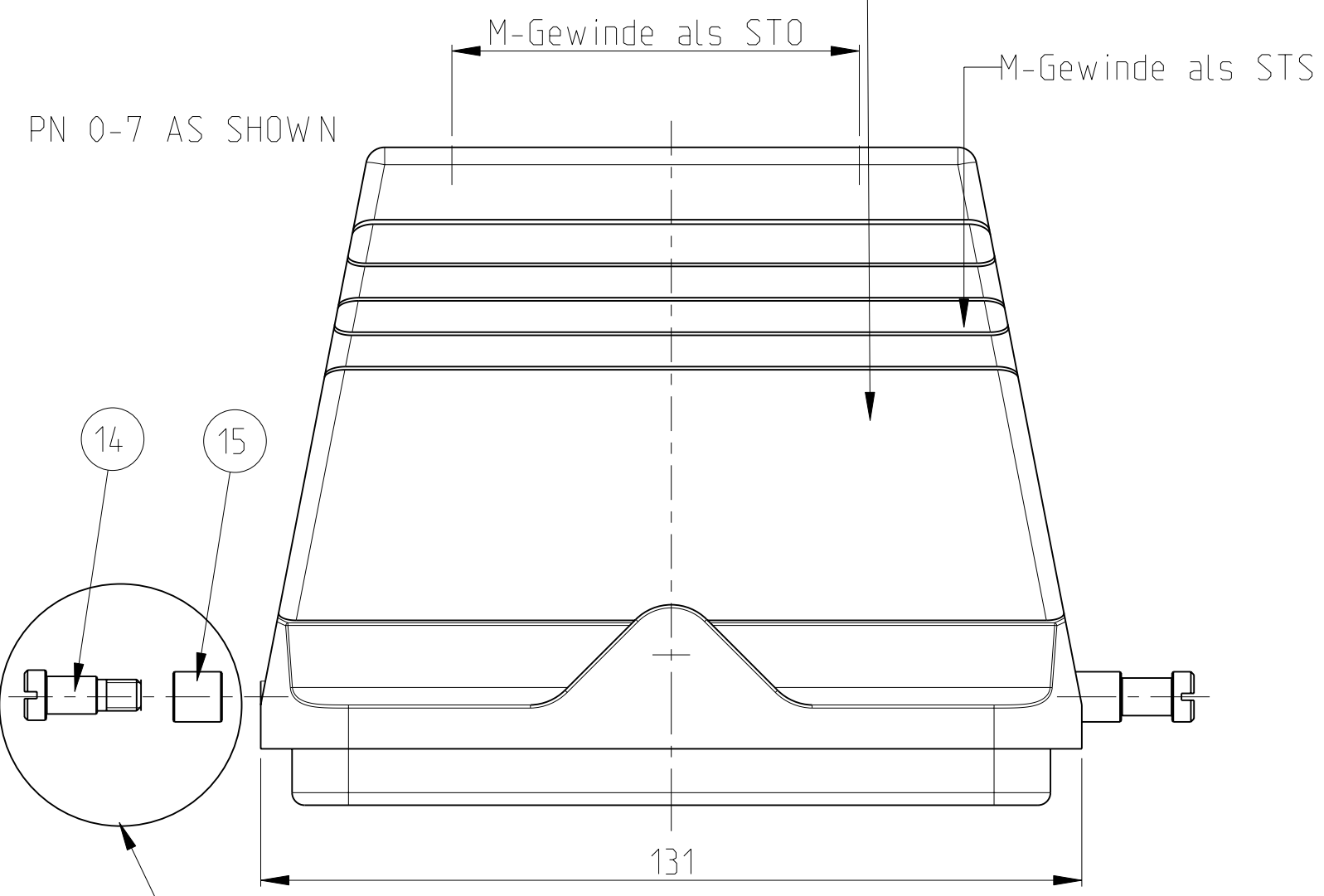
THIS DRAWING IS UNPUBLISHED. RELEASED FOR PUBLICATION 2006
 © COPYRIGHT 2006 BY TYCO ELECTRONICS CORPORATION. ALL RIGHTS RESERVED.

LOC	DIST	REVISIONS				
P	LTR	DESCRIPTION	DATE	DWN	APVD	
A1	-	B3	new pro/E drawing ECR-08-022186	27JAN2009	SR	AR
		B4	ECR-10-008205	29APR2010	VG	AR

PN 0-1 AS SHOWN



PN 0-7 AS SHOWN



1-2	1-1	1-0	0-9	0-8	0-7	0-6	0-5	0-4	0-3	0-2	0-1	DESCRIPTION	MATERIAL	SURFACE	COLOR	ITEM	NOTES
												HOOD-HB-K	ALUMINIUM	ALUMINIUM OXID	BLACK	16	SMALL CODING NUT
												SLIDE SPOOL - ST ÄUBLI	BRASS	BLANC		15	
												CLIP BOLT	STAINLESS STEEL	BLANC		14	
											1	HOOD-HB	ALUMINIUM		GREY	13	
												HOOD-HB	ALUMINIUM		GREY	12	WITHOUT HTS-LOGO
												HOOD-HB	ALUMINIUM		GREY	11	WITHOUT HTS-LOGO
												HOOD-HB	ALUMINIUM		GREY	10	WITHOUT HTS-LOGO
												HOOD-HB	ALUMINIUM		GREY	9	WITHOUT HTS-LOGO
												CLIP BOLT	STAINLESS STEEL	BLANC		8	
												CLIP BOLT	STEEL	ZINK PLATED	BLUE	7	
												HOOD-HB-K	ALUMINIUM	ALUMINIUM OXID	BLACK	6	
												HOOD-HB	ALUMINIUM		GREY	5	
												HOOD-HB-K	ALUMINIUM	ALUMINIUM OXID	BLACK	4	
												HOOD-HB-K	ALUMINIUM	ALUMINIUM OXID	BLACK	3	
												HOOD-HB	ALUMINIUM		GREY	2	
												HOOD-HB	ALUMINIUM		GREY	1	
												DESCRIPTION	MATERIAL	SURFACE	COLOR	ITEM	NOTES
												HB.48.STO-GR.1.M50.G					
												HB.48.STS-GR.1.M50.G					
												HB-K.48.STO-GR.1.M63.G					
												HB-K.48.STS-GR.1.M50.G					
												HB.48.STS-GR.1.M40.G					
												HB-K.48.STO-GR.1.M50.G					
												HB.48.STO-GR.1.M50.G					
												HB.48.STS-GR.1.M50.G					
												HB.48.ST-GR					
												HB.48.STO-GR.1.M40.G					
												HB.48.STO-GR.2.M25.G					
												HB-K.48.STS-GR.1.M50.G-Code					

NOTES

- 1 PART SHALL BE FREE AND CLEAN OF BURRS AND OTHER FOREIGN MATERIAL
- 2 PACKAGING: QUANTITY 3 PIECES
- 3 VARNISHING INSIDE HOUSING NOT REQUIRED
- 4 GLAND FITTING THREAD IS ORIENTATED TO THE SMALLER POLARIZATION NOTCH

<small>THIS DRAWING IS A CONTROLLED DOCUMENT FOR TYCO ELECTRONICS CORPORATION IT IS SUBJECT TO CHANGE AND THE CONTROLLING ENGINEERING ORGANIZATION SHOULD BE CONTACTED FOR THE LATEST REVISION.</small>		DWN R.SCHNEIDER 27JAN2009 CHK T.SCHNURPFEL 27JAN2009 APVD -	Tyco Electronics tyco Electronics AMP GmbH 53757 Sankt Augustin (Germany)
DIMENSIONS: mm	TOLERANCES UNLESS OTHERWISE SPECIFIED: 0 PLC ±- 1 PLC ±- 2 PLC ±- 3 PLC ±- 4 PLC ±- ANGLES ±1° FINISH	NAME HOOD HB.48.STO-GR.1.M50.G PRODUCT SPEC - APPLICATION SPEC - WEIGHT -	SIZE A2 CAGE CODE 00779 DRAWING NO 1106482 RESTRICTED TO -
MATERIAL -		CUSTOMER DRAWING	SCALE 1:1 SHEET 1 OF 1 REV B4

X-ON Electronics

Largest Supplier of Electrical and Electronic Components

Click to view similar products for [Heavy Duty Power Connectors](#) category:

Click to view products by [TE Connectivity](#) manufacturer:

Other Similar products are found below :

[1424439](#) [1424438](#) [09330062652](#) [2-8675P1](#) [580129-2](#) [605601-1](#) [6340G1](#) [6341G1](#) [6360G1](#) [6373G1](#) [6374g2](#) [6396G1](#) [647757-1](#) [66394-4](#)
[6643411-1](#) [6646058-2](#) [6646137-1](#) [6646138-1](#) [6646348-1](#) [6646479-1](#) [6646608-1](#) [6646786-1](#) [6646940-1](#) [6651091-1](#) [6651525-1](#) [6651529-1](#)
[6651778-1](#) [6651788-1](#) [696465-1](#) [696475-1](#) [73000005059](#) [73000005349](#) [73000005642](#) [73080255059](#) [73080965046](#) [765-15-0080A](#)
[765-16-0080B](#) [789.700-44](#) [789.700-54](#) [80-1010](#) [80-9](#) [827381-1](#) [829992-1](#) [902-77-02113](#) [PL00U-301-10D10](#) [PM103MOOLOO](#)
[PM16S1620S32-50](#) [PM212MOOLOO](#) [PM309FOOLOO](#) [PM324FOOLCH](#)