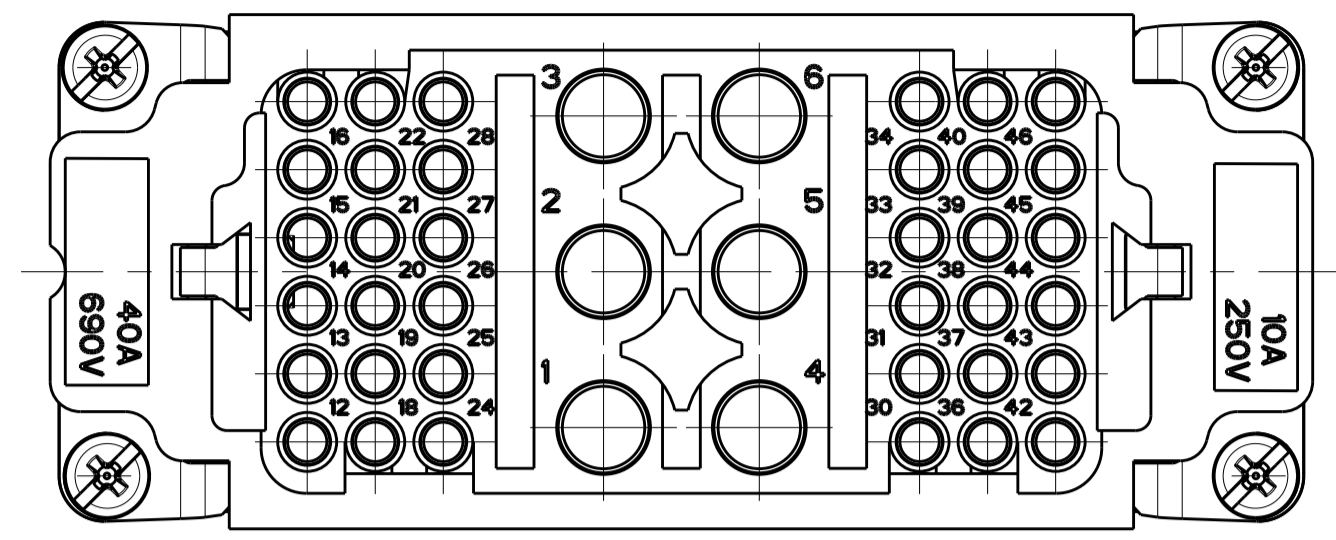


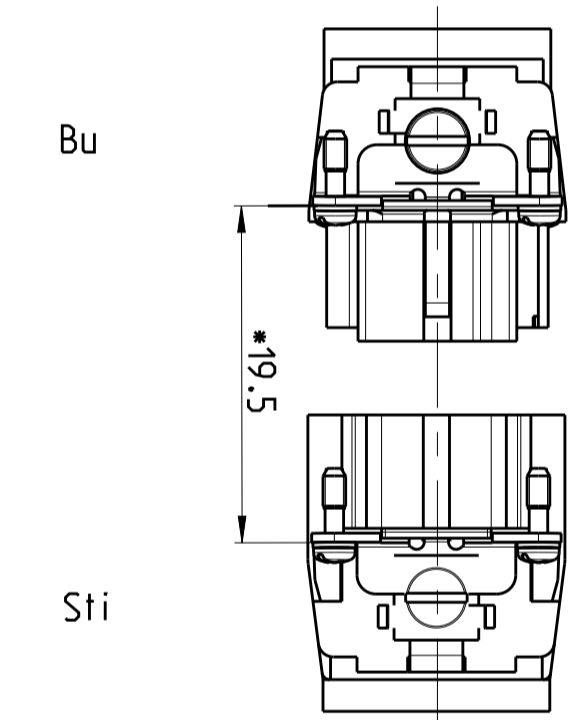
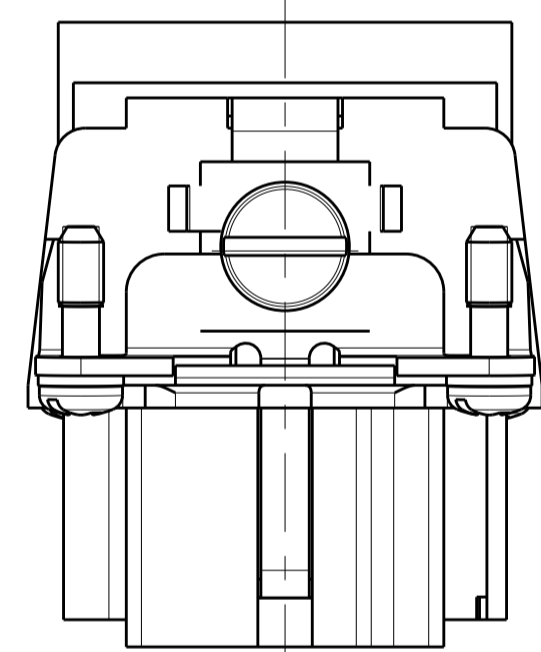
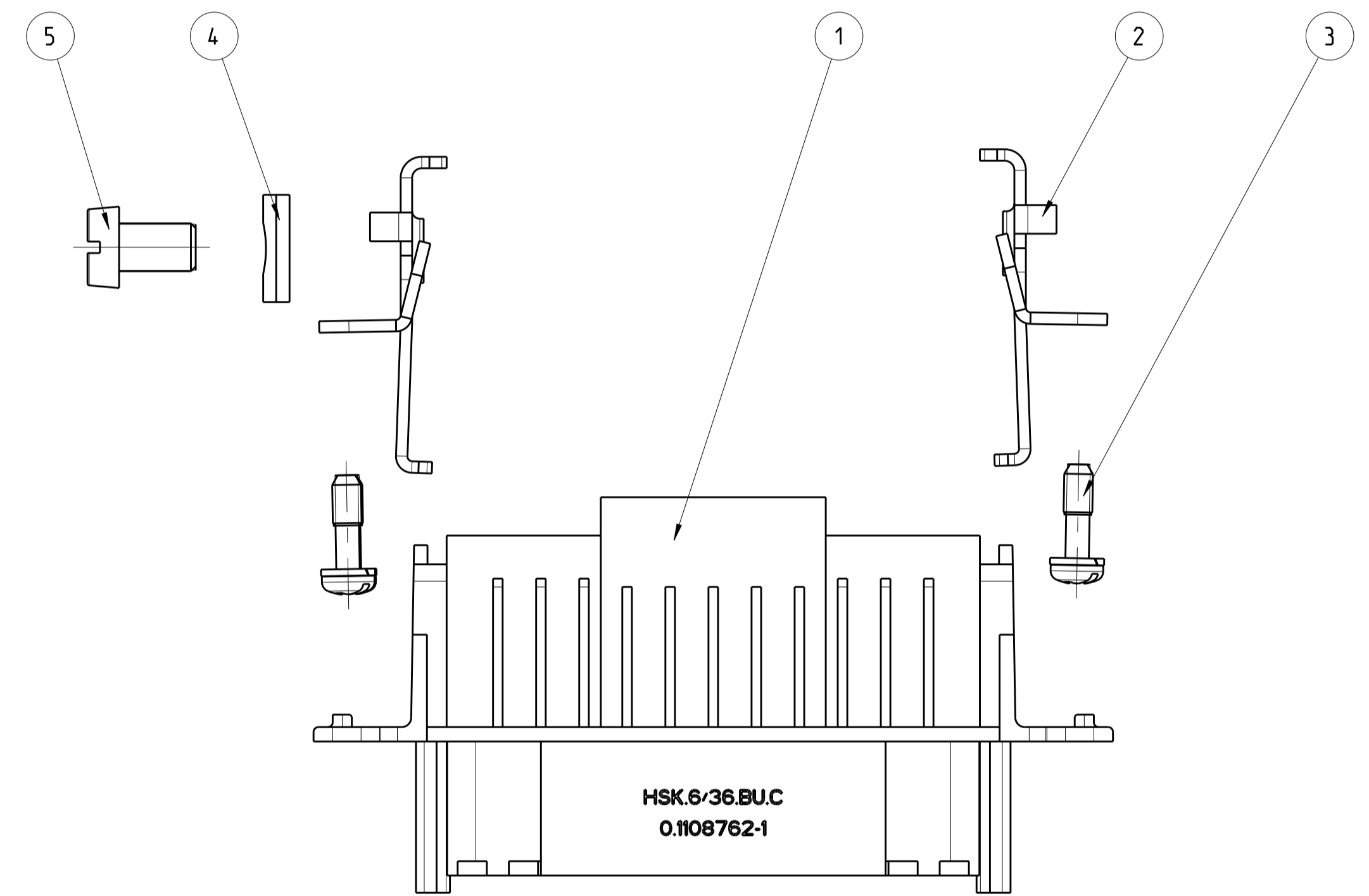
LOC	DIST	REVISIONS					
		P	LTR	DESCRIPTION	DATE	DWN	APVD
A1	-	B1		ECR-09-026756	09FEB2010	SR	ME
		B2		ECR-17-014051	04APR2017	SG	MKO

PANEL CUT-OUT FOR CONTACT INSERT  
 WHEN USED WITHOUT HOUSING



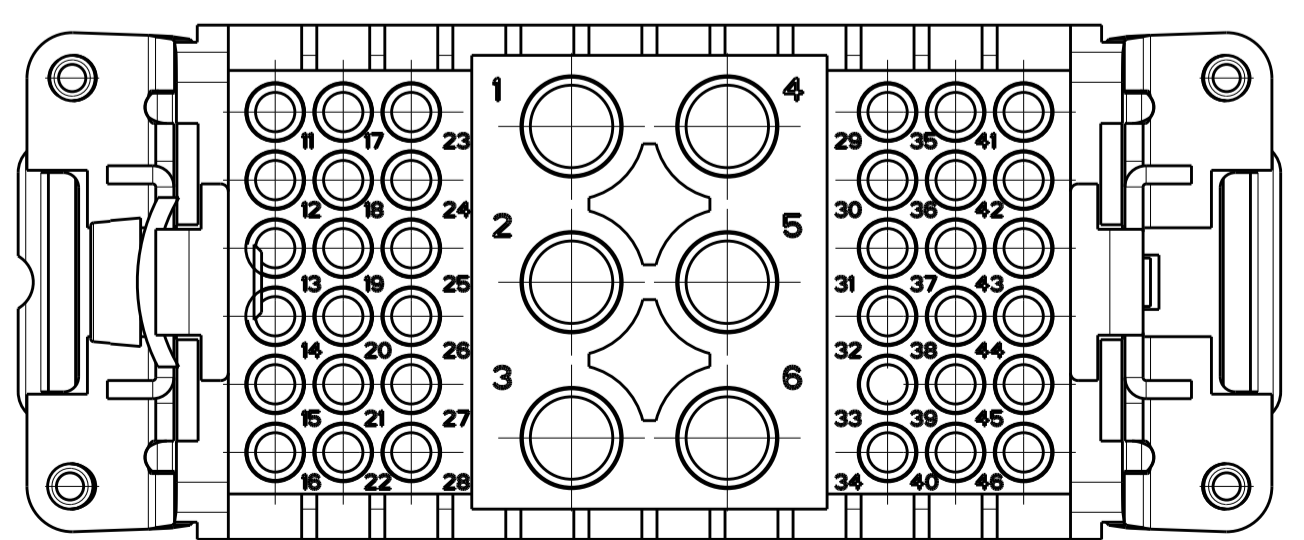
NOTES

- 1 POWER CONTACT : 1 TO 12  
 OUTER DIMENSIONS OF INSULATION: MAX.  $\varnothing$ 6.5mm  
 SIGNAL CONTACT: A AND B  
 OUTER DIMENSIONS OF INSULATION: MAX.  $\varnothing$ 3.2mm
- 2 SUITABLE HOOD SIZE 6  
 SERIES HB, HD, EMV, AND HIP
- △ GROUNDING CONTACT
- 4 STANDARDS:  
 DIN EN 61984; DIN EN 60664-1
- 5 PACKAGING:  
 5 PIECES IN A CARTON BOX



HSK.6/36.BUC  
 0.1108762-1

CONTACT ARRANGEMENT VIEW FROM  
 TERMINATION SIDE



\*DISTANCE ARRANGEMENT  
 VIEW FROM TERMINATION SIDE

SUPERSEDED BY T21204/22201-000

QTY	DESCRIPTION	MATERIAL	SURFACE	ITEM
1	CYLINDER SCREW, M5	STEEL	NICKEL PLATED	5
1	CLIP TAB	STEEL	NICKEL PLATED	4
4	FIXING SCREW ASSY	STEEL	NICKEL PLATED	3
2	GRUNDING CONTACT-SOCKET	Cu Zn37 F38	NICKEL PLATED	2
1	SOCKET INSERT	VALOX		1
0-1				

THIS DRAWING IS A CONTROLLED DOCUMENT. DWN R.SCHNEIDER 09FEB2010  
 CHE T.SCHNURPEIL 09FEB2010

**STE** TE Connectivity

NAME HSK.6/36 FEMALE INSERT HSK.6/36  
 ASSY HSK.6/36

SIZE CAGE CODE DRAWING NO RESTRICTED TO  
 A1 00779 C=1108762

CUSTOMER DRAWING SCALE 5:1 SHEET 1 OF 1 REV B2

## X-ON Electronics

Largest Supplier of Electrical and Electronic Components

*Click to view similar products for [Heavy Duty Power Connectors](#) category:*

*Click to view products by [TE Connectivity](#) manufacturer:*

Other Similar products are found below :

[647757-1](#) [6643411-1](#) [6646058-2](#) [6646137-1](#) [6646138-1](#) [6646479-1](#) [6646608-1](#) [6646786-1](#) [6646940-1](#) [6651091-1](#) [6651525-1](#) [6651529-1](#)  
[6651788-1](#) [696475-1](#) [702-32-01109](#) [703-25-02205](#) [73000005059](#) [73000005642](#) [73080255059](#) [73080965046](#) [765-15-0080A](#) [765-16-0080B](#)  
[765-18-0080D](#) [829992-1](#) [902-77-02113](#) [PS00/A0620/6300](#) [PS25/A0420/63](#) [129-1J](#) [1409400](#) [AN0024023](#) [E6374G1](#) [e6389g2](#) [157-43GW8](#)  
[MS3117-14AC](#) [1643543-1](#) [1650540-1](#) [1651811-2](#) [1766260-1](#) [1766282-1](#) [1766966-1](#) [1791340000](#) [NLDFT-3-BL-L-S120-M40A](#) [NLDFT-N-](#)  
[W-L-C240-M40B](#) [NLS-2-R-C240-M40B](#) [NLS-N-W-C240-M40B](#) [NPS-3-BL-T6](#) [1986615-1](#) [2-1589900-8](#) [2199314-1](#) [KA8102](#)