

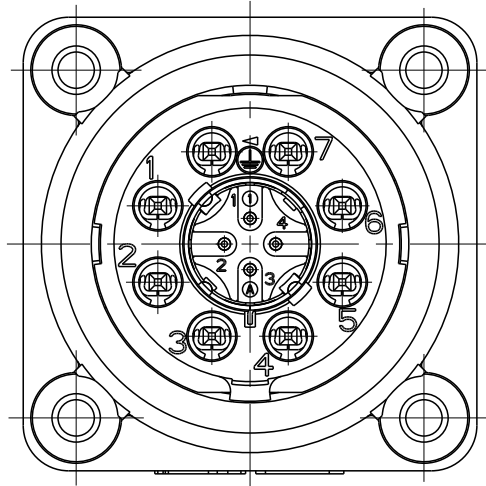
THIS DRAWING IS UNPUBLISHED.  
 VERTRAULICHE UNVERÖFFENTLICHTE ZEICHNUNG  
 © COPYRIGHT 2006 TYCO ELECTRONICS HTS

RELEASED FOR PUBLICATION  
 FREI FUER VERÖFFENTLICHUNG  
 08.MAR. 2010  
 ALL RIGHTS RESERVED.  
 ALLE INTERNATIONALEN RECHTE VORBEHALTEN.

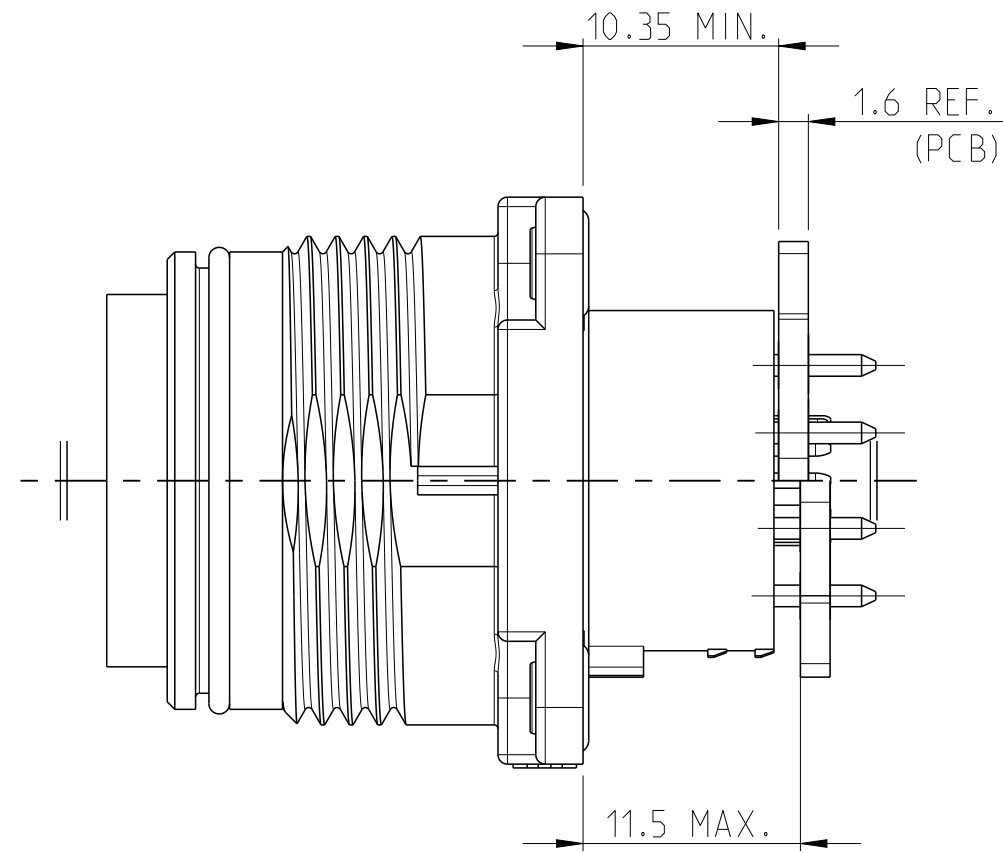
MATED WITH:  
 PASSEND ZU:

LOC	DIST	REVISIONS					
A1	-	P	LTR	DESCRIPTION	DATE	DWN	APVD
		PROJEKT NR.:					
		A7		ECR-11-017650	31AUG2011	SHE	HEIN
		A8		ECR-11-019448	21SEP2011	GW	OH
		B1		ECR-15-014241	27OCT2015	RK	JB
		B2		REV. PER ECR-16-000458	12JAN2016	ER	DO

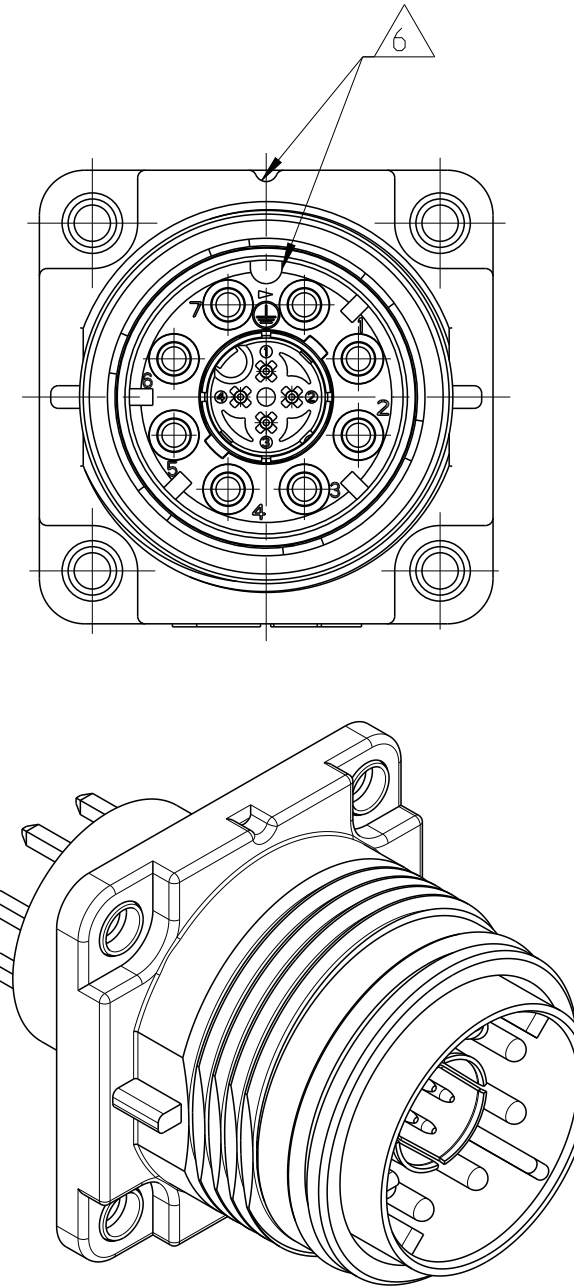
VIEW FROM BOTTOM



DISTANCE FROM PANEL TO PCB

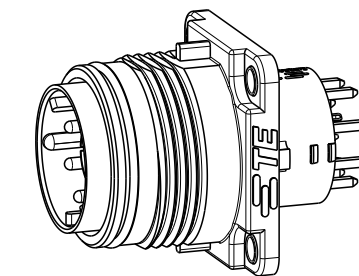
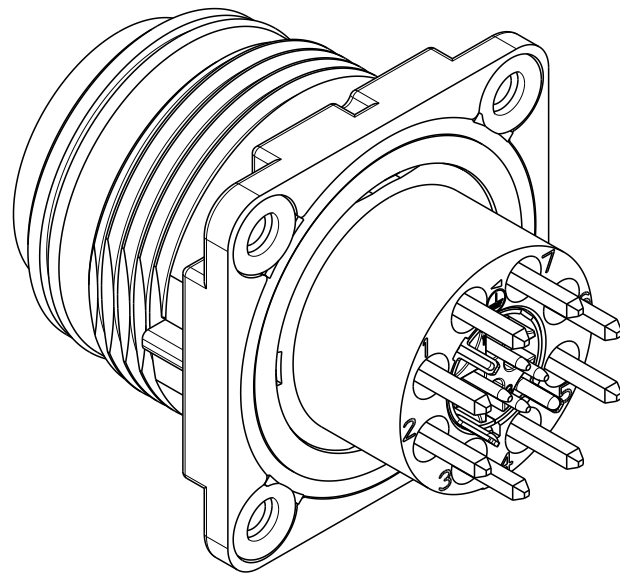


VIEW FROM TOP



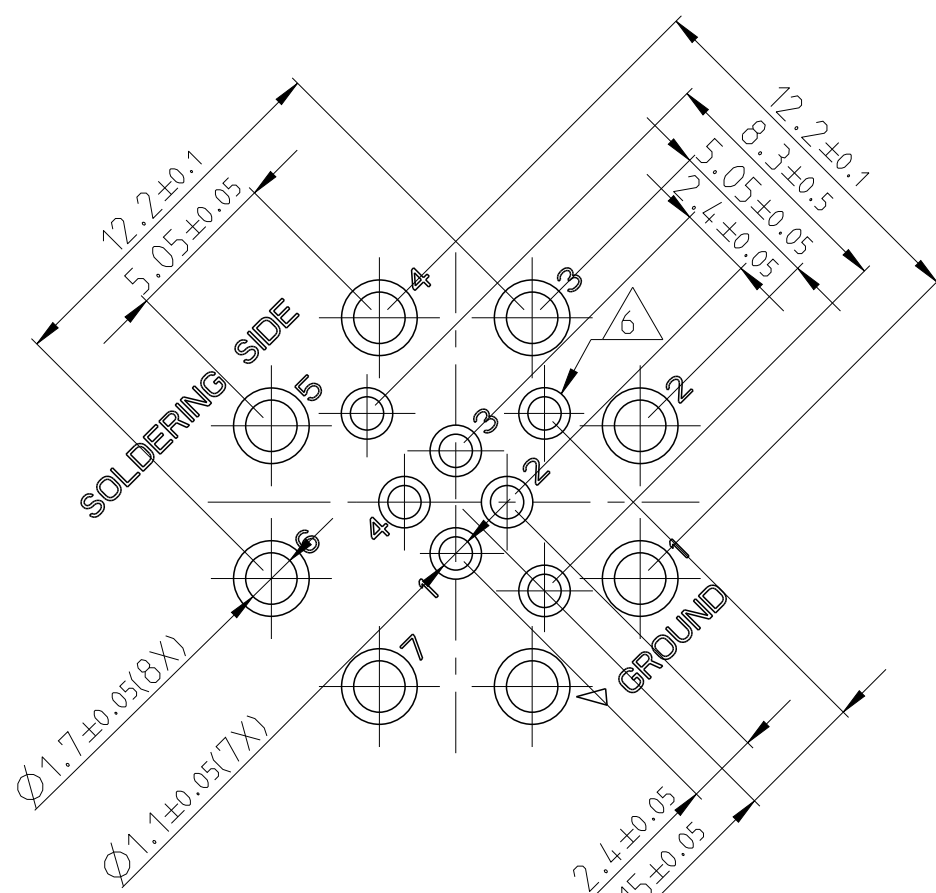
Notes

- 1 SIGNAL:  
SUITABLE CRIMP CONTACTS: SERIES 22 DF  
CUSTOMER DRAWING: 1658686
- 2 POWER:  
SUITABLE CRIMP CONTACTS: SERIES TYPE III+  
CUSTOMER DRAWING: 163087
- 3 SUITABLE HYBRID CABLE: SERIES HC26  
CUSTOMER DRAWING: 1103536
- 4 SUITABLE HOUSINGS: SERIES HC26  
CUSTOMER DRAWING: 1103437, 1103440
- 5 STANDARDS:  
DIN EN 61984, DIN EN 60664-1
- △ 6 ORIENTATION CONTOURS
- 7 AUTHORIZATION; PENDING
- △ 8 PACKAGING:  
40 SETS IN A KIT, PRE-MOUNTED (ITEM 1  
TO 3 ASSEMBLED AS ONE UNIT AND STICKED  
INTO ITEM 4 WITHOUT FIXING FUNCTION)

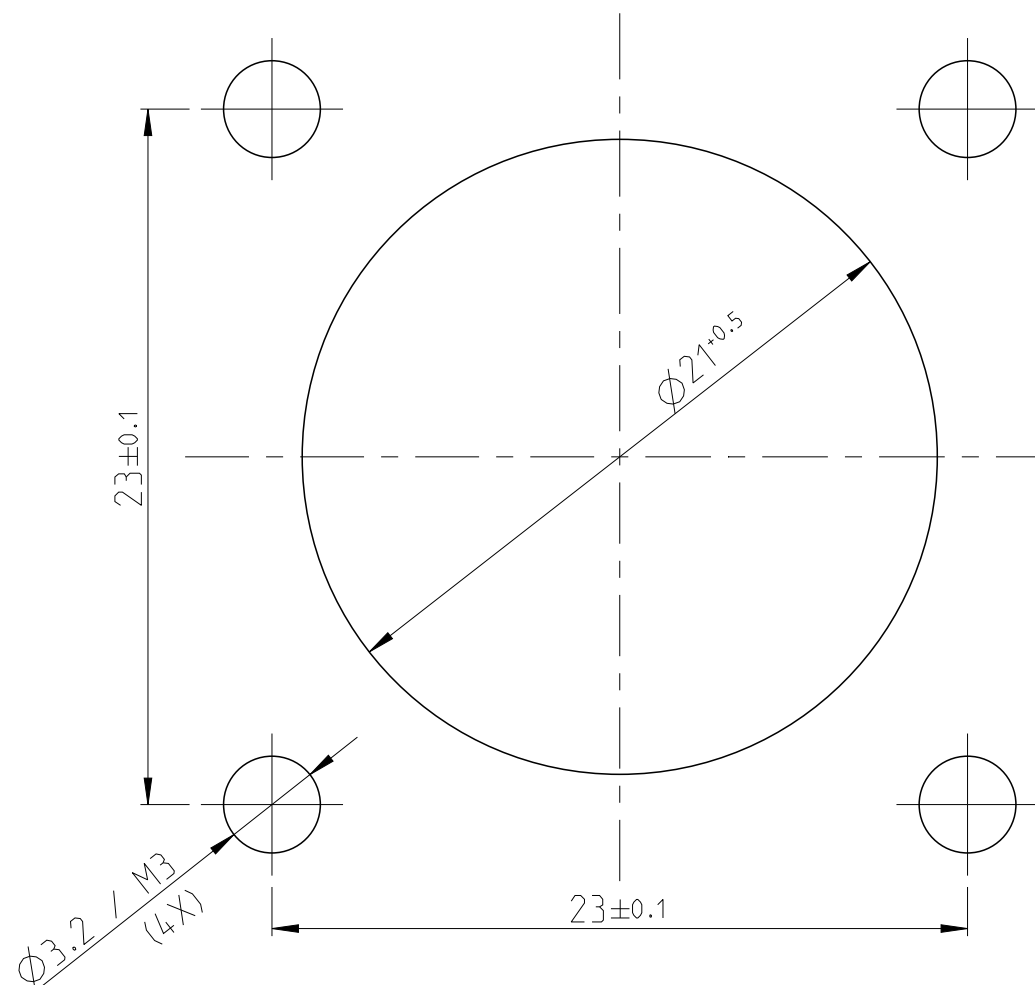


△ AS-DELIVERED CONDITION

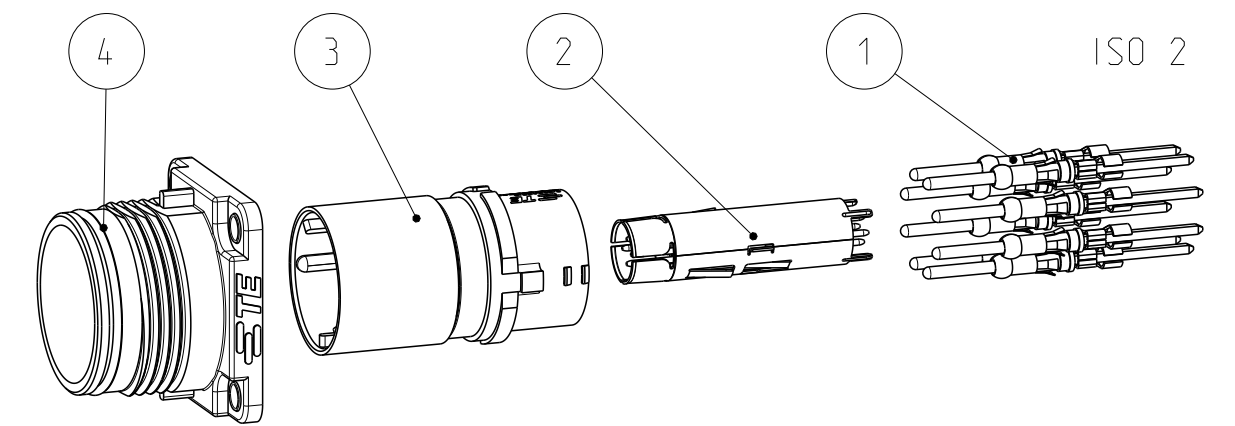
PCB LAYOUT



PANEL CUTOUT



PN 0-1 AS SHOWN



QTY	PART-NO	DESCRIPTION	NOTE	ITEM
1	0-1103436-2	BULKHEAD HOUSING ASS'Y	SERIES HC26, DESIGN METAL	4
1	0-1103428-3	MALE INSERT ASS'Y	SERIES HC26, 8-POS., TYPE III+, PCB	3
1	0-1103430-3	MALE INSERT ASS'Y	SERIES HC26, 4-POS., PCB	2
8	1-66471-8	PIN CONTACT ASS'Y	CRIMPED, .062 DIA, .045x.045 POST	1

0-1

PN/QTY PART-NO DESCRIPTION NOTE ITEM

PARTS LIST (PER ONE UNIT)

TOLERANCING ISO 8015  
TOLERIERUNG ISO 8015

THIS DRAWING IS A CONTROLLED DOCUMENT. DIESES ZEICHNUNGSDOKUMENT WIRD DURCH AMP INCORPORATED KONTROLLIERT. ÄNDERUNGEN, DIE DEM TECHNISCHEN FORTSCHRITT GEMEIN, SIND VORBEHALTEN. DEN JEWEILS LETZTIGELTEN ÄNDERUNGSSTAND ERFAHREN SIE AUF ANFRAGE.		DWN 08MAR2010 O. HOLZMANN	NAME <b>STE</b> TE Connectivity
DIMENSIONS: MASSE IN HEINHEITEN: (MM)		CHK 09MAR2010 H. BRAUN	
TOLERANCES UNLESS OTHERWISE SPECIFIED: ALLGEMEINTOLERANZEN		APVD 09MAR2010 T. SCHNURPFIL	PRODUCT SPEC 108-94485
MATERIAL		APPLICATION SPEC 114-94369	SIZE A2
FINISH/OBERFLÄCHE/FARBE		WEIGHT 34g	CAGE CODE 00779
		Customer Drawing	DRAWING NO. C=1108846
			RESTRICTED TO NUR FUER
			SCALE MASSSTAB 2:1
			SHEET BLATT 1
			OF VON 1
			REV. B2

## X-ON Electronics

Largest Supplier of Electrical and Electronic Components

*Click to view similar products for [Heavy Duty Power Connectors](#) category:*

*Click to view products by [TE Connectivity](#) manufacturer:*

Other Similar products are found below :

[647757-1](#) [6643411-1](#) [6646058-2](#) [6646137-1](#) [6646138-1](#) [6646479-1](#) [6646608-1](#) [6646786-1](#) [6646940-1](#) [6651091-1](#) [6651525-1](#) [6651529-1](#)  
[6651788-1](#) [696475-1](#) [702-32-01109](#) [703-25-02205](#) [73000005059](#) [73000005642](#) [73080255059](#) [73080965046](#) [765-15-0080A](#) [765-16-0080B](#)  
[765-18-0080D](#) [829992-1](#) [902-77-02113](#) [PS00/A0620/6300](#) [PS25/A0420/63](#) [129-1J](#) [1409400](#) [AN0024023](#) [E6374G1](#) [e6389g2](#) [157-43GW8](#)  
[MS3117-14AC](#) [1643543-1](#) [1650540-1](#) [1651811-2](#) [1766260-1](#) [1766282-1](#) [1766966-1](#) [1791340000](#) [NLDFT-3-BL-L-S120-M40A](#) [NLDFT-N-](#)  
[W-L-C240-M40B](#) [NLS-2-R-C240-M40B](#) [NLS-N-W-C240-M40B](#) [NPS-3-BL-T6](#) [1986615-1](#) [2-1589900-8](#) [2199314-1](#) [KA8102](#)