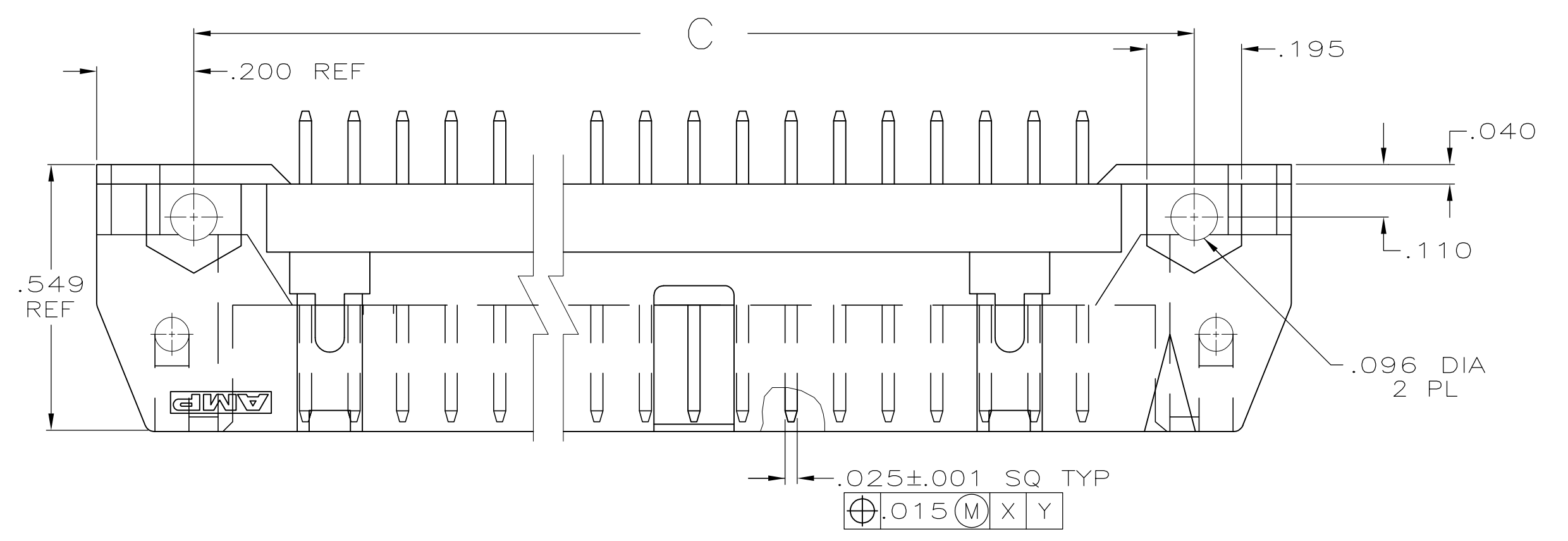
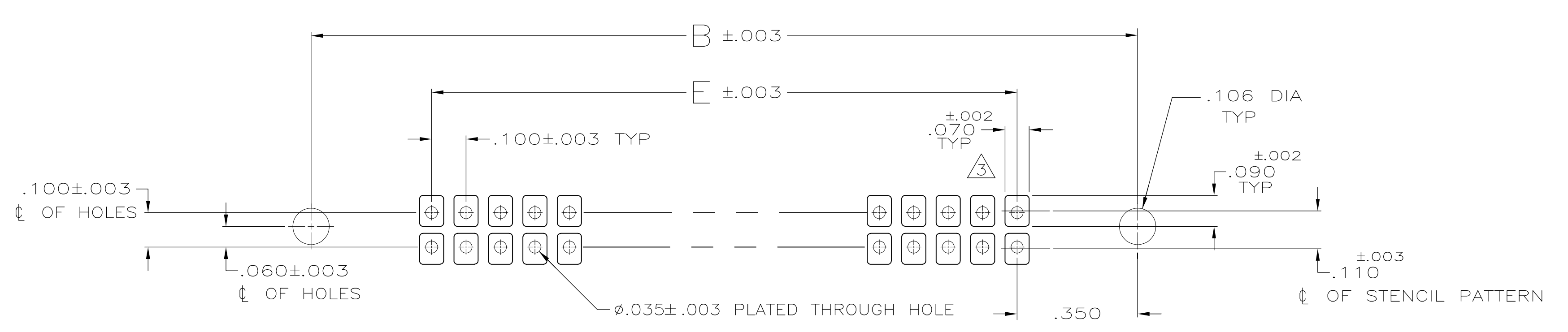
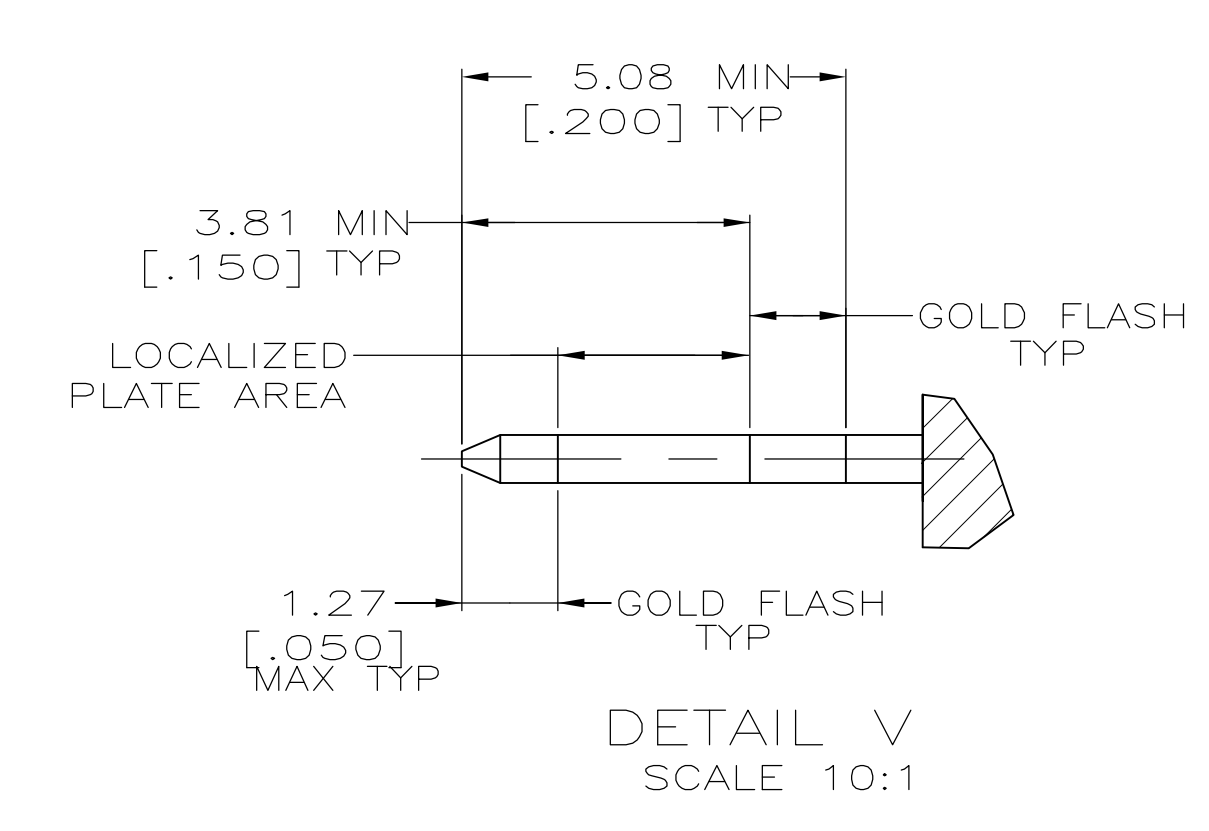
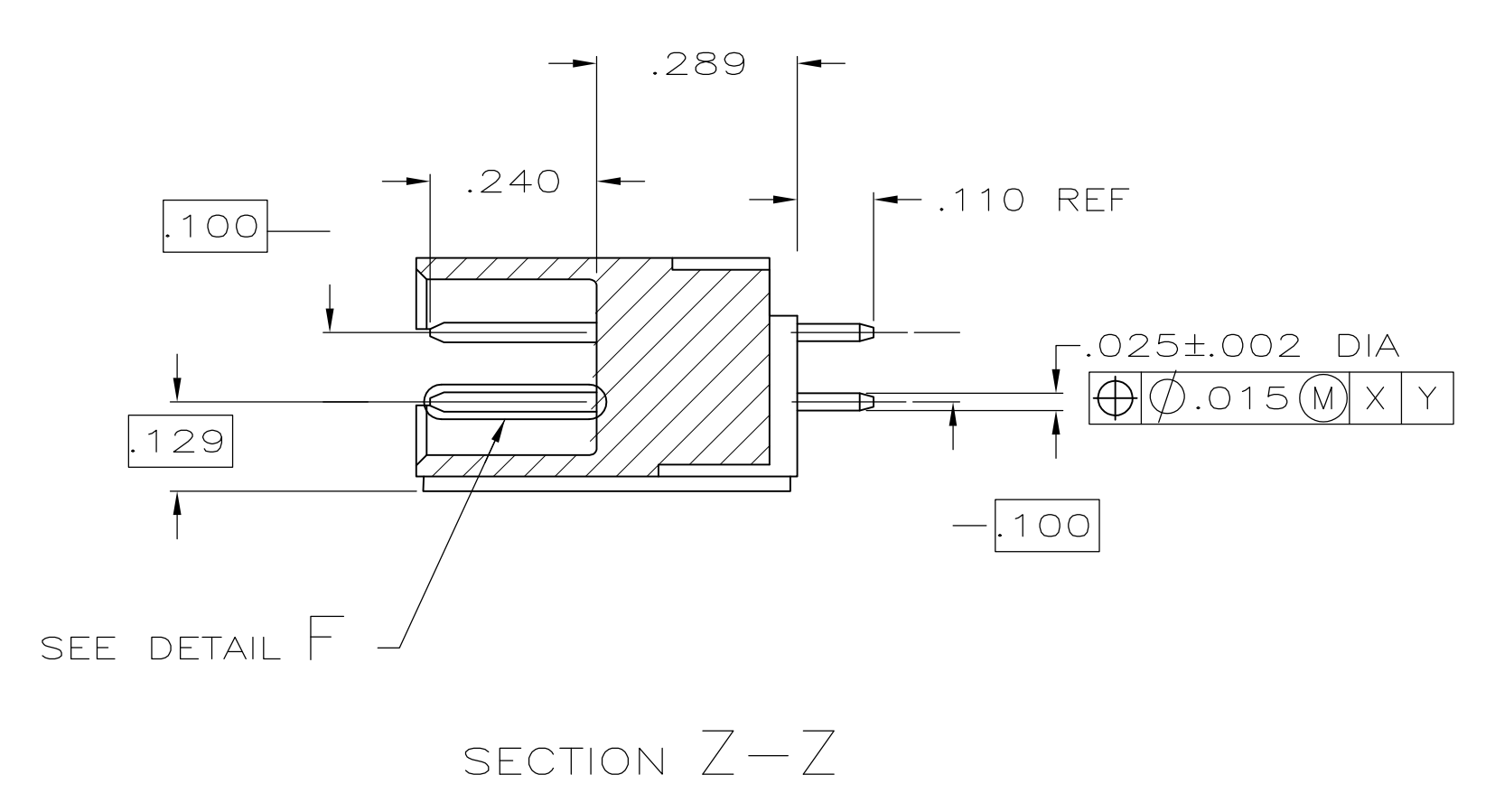
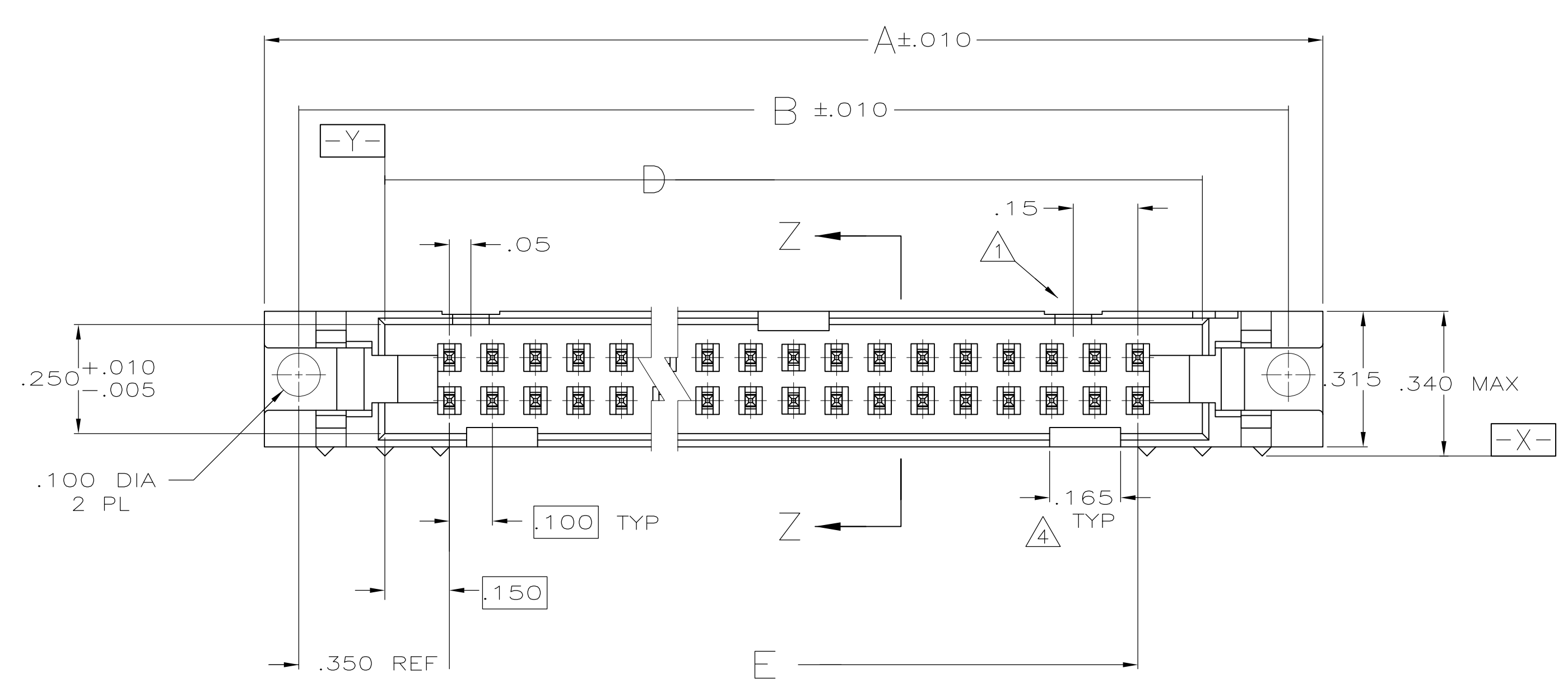


| LOC |    | DIST |     | REVISIONS                 |         |     |      |
|-----|----|------|-----|---------------------------|---------|-----|------|
| GP  | 00 | F    | LTR | DESCRIPTION               | DATE    | DWN | APVD |
|     |    | H    |     | REVISED PER ECO-08-004045 | 26MAR08 | JDP | SLB  |
|     |    | H1   |     | REVISED PER ECO-09-021826 | 02SEP09 | KK  | AEG  |



- 1 NO SNAP-IN POLARIZING FEATURE ON THIS END FOR 10 & 14 POS. HEADERS.
- 2 POSTS: GOLD FLASH OVER PALLADIUM-NICKEL PLATE, .000030 MIN TOTAL ON THE LOCALIZED PLATE AREA, .000100 MIN TIN-LEAD PLATE ON THE SOLDER-TAIL, .000050 MIN NICKEL UNDERPLATE ON THE ENTIRE POST.  
-OR-  
.000030 MIN GOLD PLATE ON THE LOCALIZED PLATE AREA, .000100 MIN TIN-LEAD PLATE ON THE SOLDER-TAIL, .000050 MIN NICKEL UNDERPLATE ON THE ENTIRE POST.
- 3 RECOMMENDED STENCIL THICKNESS EQUALS .010
- 4 FOR 10 POS.HEADER ONLY, ONE SLOT LOCATED AS SHOWN.
- 5 PLATED WITH GOLD FLASH OVER .000050 NICKEL.
- 6 OBSOLETE PARTS: OBSOLETE CIS STREAMLINING PER D.RENAUD/D.SINISI



RECOMMENDED P C BOARD MOUNTING DIMENSIONS

|                             | E     | D     | C     | B    | A    | NO OF POSN | PART NUMBER |
|-----------------------------|-------|-------|-------|------|------|------------|-------------|
| OBSOLETE                    | 2.100 | 2.400 | 2.560 | 2.80 | 2.96 | 44         | 1-111008-3  |
|                             | 3.100 | 3.400 | 3.560 | 3.80 | 3.96 | 64         | 1-111008-2  |
| 6 SUPERSEDED BY 1-5111008-1 | 2.900 | 3.200 | 3.360 | 3.60 | 3.76 | 60         | 1-111008-1  |
|                             | 2.400 | 2.700 | 2.860 | 3.10 | 3.26 | 50         | 1-111008-0  |
|                             | 1.900 | 2.200 | 2.360 | 2.60 | 2.76 | 40         | 111008-9    |
|                             | 1.600 | 1.900 | 2.060 | 2.30 | 2.46 | 34         | 111008-8    |
| 6 SUPERSEDED BY 5111008-7   | 1.400 | 1.700 | 1.860 | 2.10 | 2.26 | 30         | 111008-7    |
|                             | 1.200 | 1.500 | 1.660 | 1.90 | 2.06 | 26         | 111008-6    |
| 6 SUPERSEDED BY 5111008-5   | 1.100 | 1.400 | 1.560 | 1.80 | 1.96 | 24         | 111008-5    |
| OBSOLETE                    | .900  | 1.200 | 1.360 | 1.60 | 1.76 | 20         | 111008-4    |
| 6 SUPERSEDED BY 102154-3    | .700  | 1.000 | 1.160 | 1.40 | 1.56 | 16         | 111008-3    |
| OBSOLETE                    | .600  | .900  | 1.060 | 1.30 | 1.46 | 14         | 111008-2    |
|                             | .400  | .700  | .860  | 1.10 | 1.26 | 10         | 111008-1    |

THIS DRAWING IS A CONTROLLED DOCUMENT.

|  |  |             |             |          |              |            |         |   |
|--|--|-------------|-------------|----------|--------------|------------|---------|---|
| DIMENSIONS: INCHES   | TOLERANCES UNLESS OTHERWISE SPECIFIED: | DIN 11-7-85 | J.J. GROFT  | 12-5-85  | M. ESCALANTE | 12-19-85   | G. HAWK | AMP-LATCH UNIVERSAL HEADER, .025 SQ POST, .100 X .100CL, STRAIGHT, FOR VAPOR-PHASE APPLICATIONS |
| 0 PL ± -   | 1 PL ± -                               | 2 PL ± -    | 3 PL ± .005 | 4 PL ± - | ANGLES ± -   | FINISH     | WEIGHT  | SIZE: A1  |
| MATERIAL: WOLDED PARTS: MAX. O. RATED THERMOPLASTIC COLOR: RED POSTS: PHOS BRONZE OR BRASS |  | FINISH      |             | WEIGHT   |              | SCALE: 4:1 |         | SHEET 1 OF 1  |

Customer Drawing

## X-ON Electronics

Largest Supplier of Electrical and Electronic Components

*Click to view similar products for [Headers & Wire Housings](#) category:*

*Click to view products by [TE Connectivity](#) manufacturer:*

Other Similar products are found below :

[95000-104TRLF](#) [10135584-644402LF](#) [DF62W-EP2022PCA](#) [95000-106TRLF](#) [DF62W-2022SCA](#) [DF62W-EP2022PC](#) [2203348](#) [DF62W-2022SC](#) [1084018](#) [1029039](#) [1084017](#) [802-10-012-10-002000](#) [1112640](#) [1112639](#) [000-34000](#) [0009482033](#) [0009507031](#) [57102-S06-03LF](#) [57202-S52-04LF](#) [PCN6-15S-2.5E](#) [0039019024](#) [58102-G61-06LF](#) [582553-1](#) [0009508121](#) [0050291907](#) [018731A](#) [LY20-4P-DT1-P1E-BR](#) [02.125.8002.8](#) [60101931](#) [60598-1 \(Cut Strip\)](#) [M1625-3R/100](#) [61062-3](#) [61082-181009](#) [636-1427](#) [638009-1](#) [641938-9](#) [641991-4](#) [644168-1](#) [647662-1](#) [65039-019ELF](#) [65817-002LF](#) [65817-015LF](#) [65863-015LF](#) [66207-023LF](#) [67016-026LF](#) [67046-001LF](#) [67095-007LF](#) [68002-116](#) [68016-236H](#) [68648-049](#)