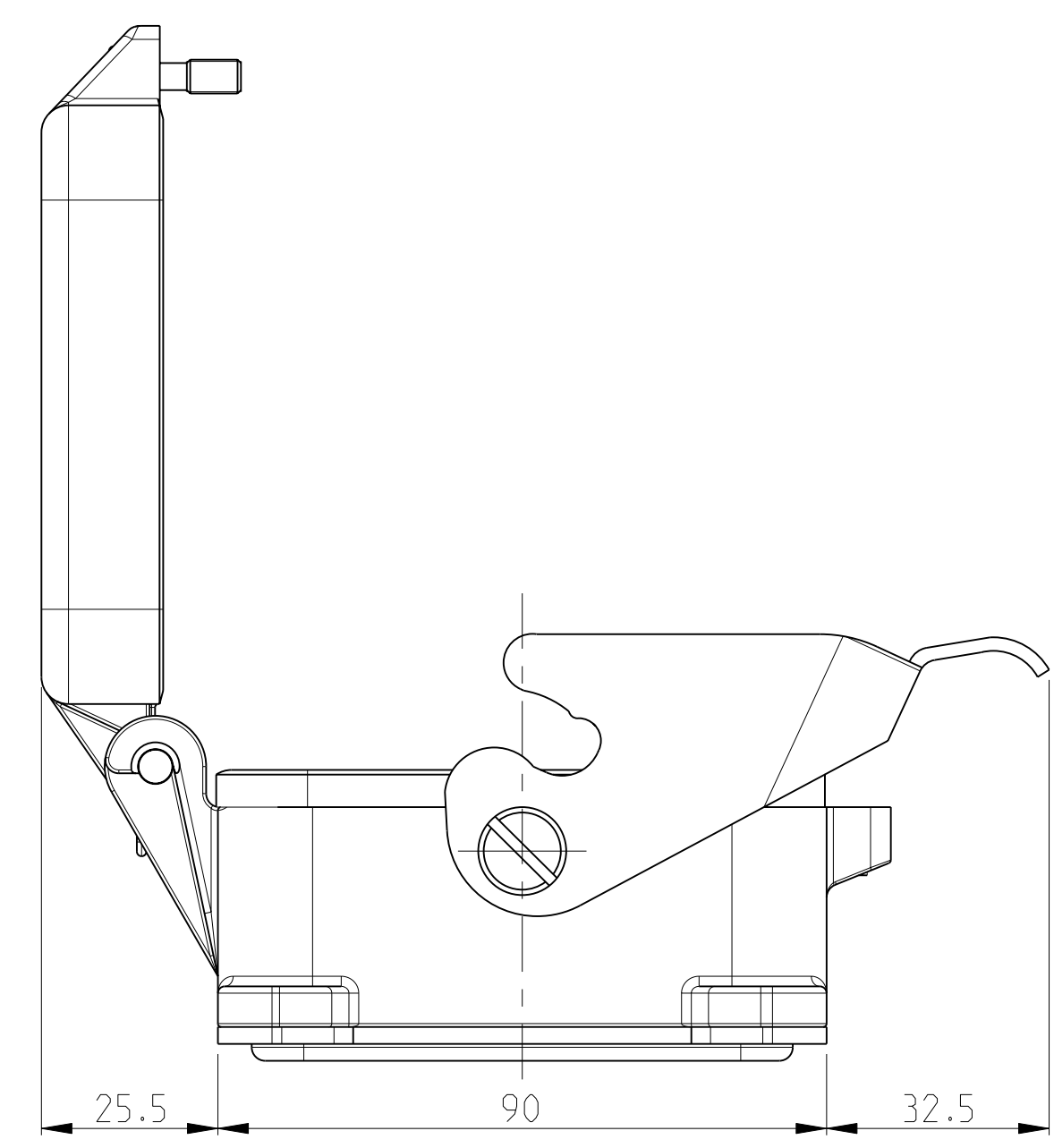
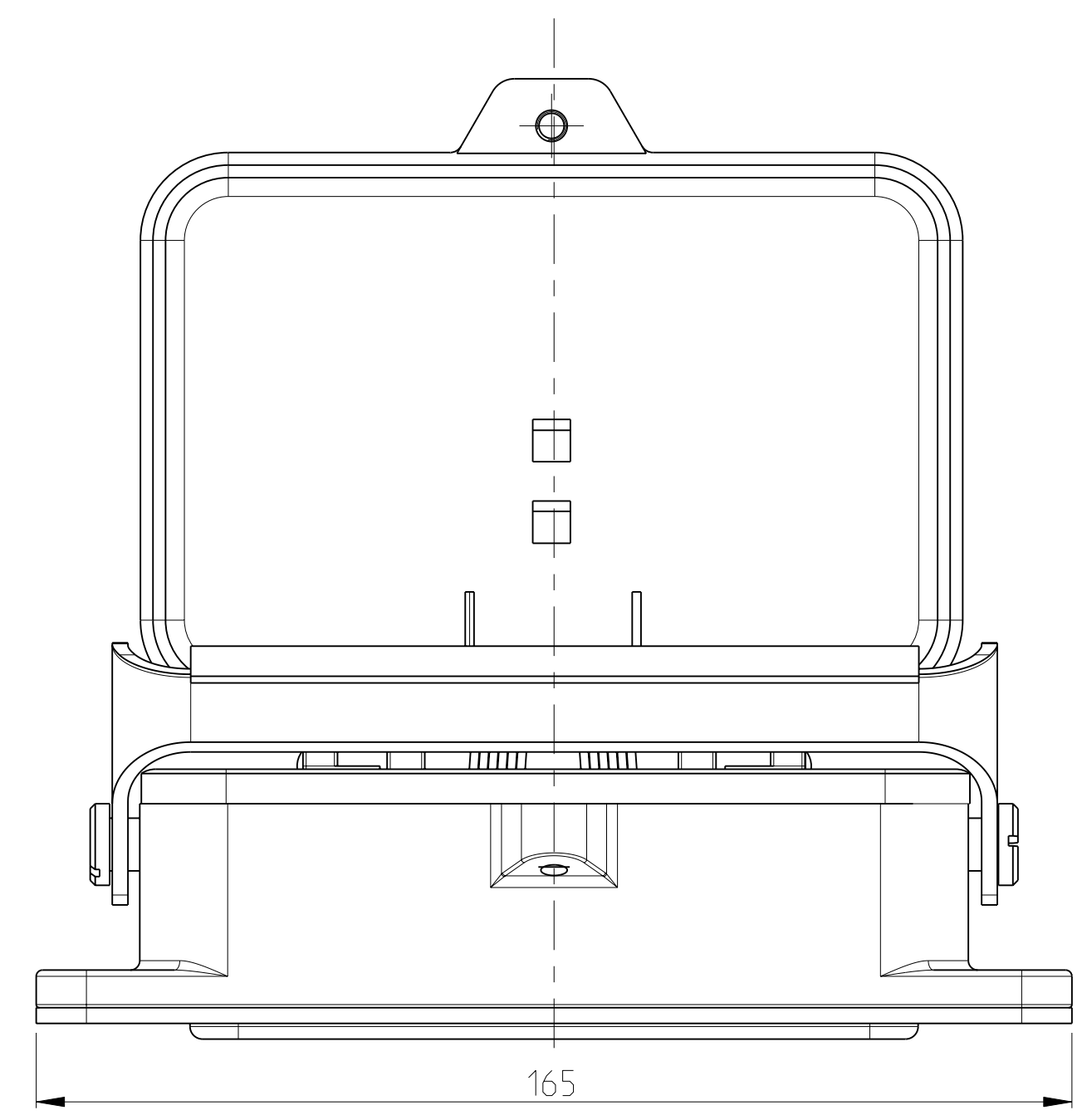
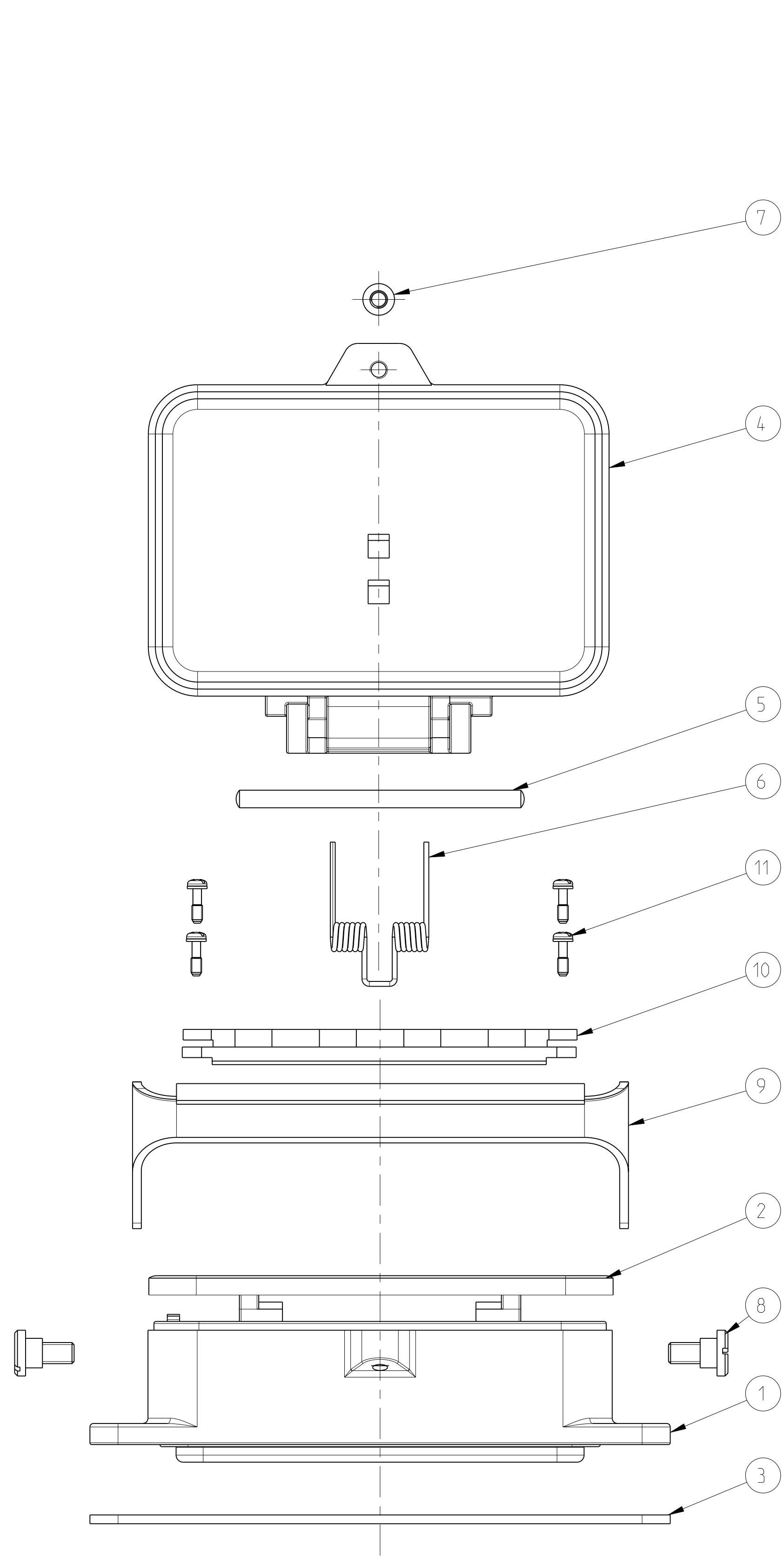


LOC	DIST	REV	DESCRIPTION	DATE	DWN	APVD
A1	-	A1	NEW DRAWN	17 JUN 2008	GW	ST

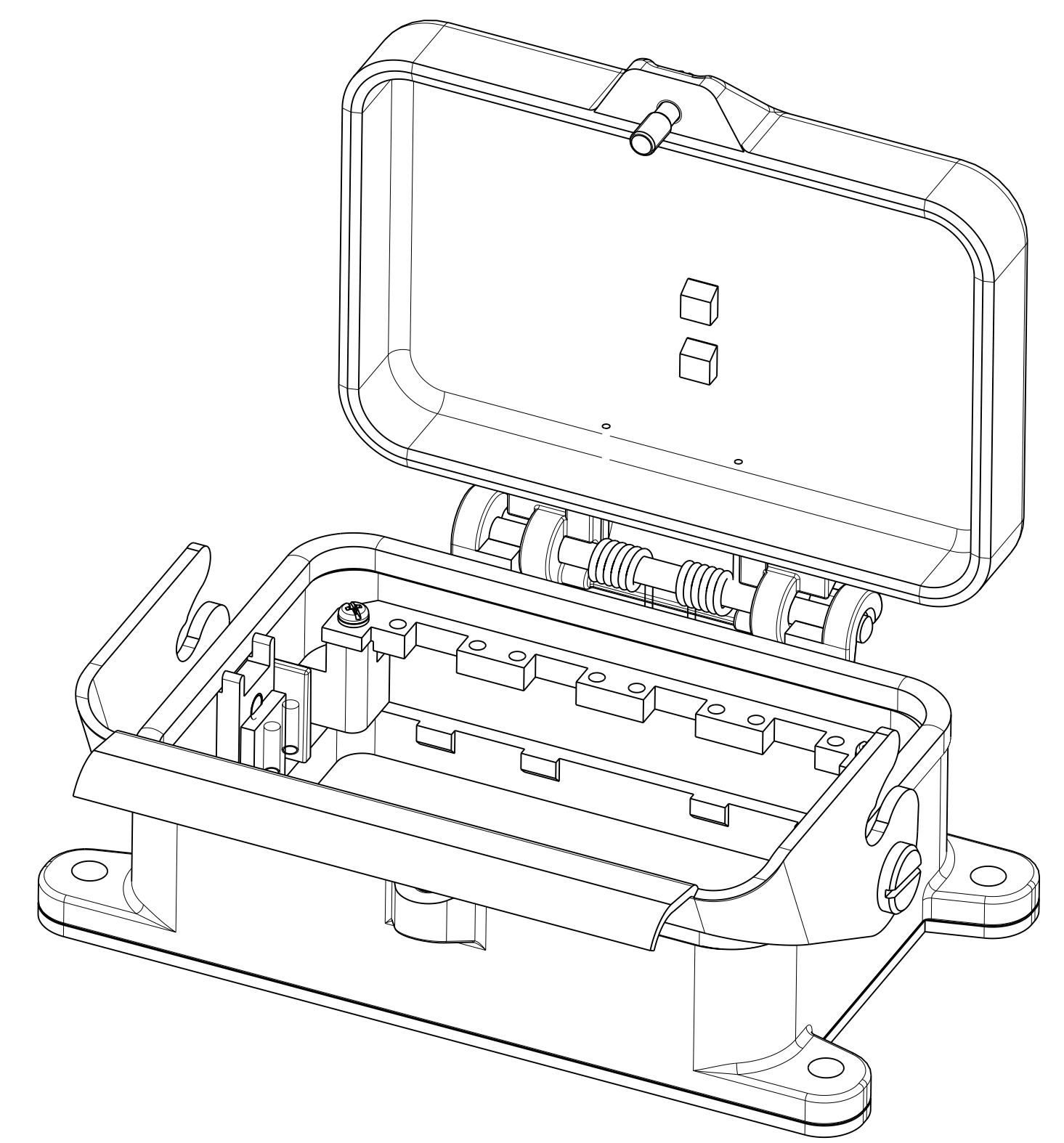
Notes
 1 PACKAGING:
 3 PIECES IN A KARTON



4	FIXING SCREW	STEEL	ZINK PLATED	BLUE	11
2	FIXING STRIP	STEEL	ZINK PLATED	BLUE	10
1	SIDE CLIP	STEEL	ZINK PLATED	BLUE	9
2	CROSS RECESS PAN HEAD SCREW	STEEL	ZINK PLATED	BLUE	8
1	CYLINDER SCREW	STEEL	ZINK PLATED	BLUE	7
1	LEG SPRING	STEEL	ZINK PLATED	BLUE	6
1	RIVET PIN	STEEL	ZINK PLATED	BLUE	5
1	COVER	ALUMINIUM	-	GREY	4
1	FLANGE SEAL	NEOPRENE	-	BLACK	3
1	PROFILE SEAL	NEOPRENE	-	BLACK	2
1	SURFACE MOUNTED HOUSING	ALUMINIUM	-	GREY	1
1-2	DESCRIPTION	MATERIAL	SURFACE	COLOR	ITEM

HA.64.AGD-LB

PN 1-2
 AS SHOWN



DIMENSIONS: mm 		TOLERANCES UNLESS OTHERWISE SPECIFIED: 9 PLC ± 1 PLC ± 2 PLC ± 4 PLC ± ANGLES ±° FINISH ±		DWN G.W.ROBLEWSKI 17 JUN 2008 CHK T.SCHNURPEL 17 JUN 2008 APVD -		Tyco Electronics Tyco Electronics AMP GmbH 53819 Neunkirchen (Germany)	
MATERIAL - FINISH -		PRODUCT SPEC - APPLICATION SPEC - WEIGHT -		NAME SURFACE MOUNTED HOUSING SERIES HA 64		SIZE CAGE CODE DRAWING NO RESTRICTED TO A1 00779 C-1102009 -	
CUSTOMER DRAWING				SCALE 1:1 SHEET 1 OF 1 REV A1			

X-ON Electronics

Largest Supplier of Electrical and Electronic Components

Click to view similar products for [Heavy Duty Power Connectors](#) category:

Click to view products by [TE Connectivity](#) manufacturer:

Other Similar products are found below :

[1424439](#) [1424438](#) [09330062652](#) [2-8675P1](#) [580129-2](#) [605601-1](#) [6340G1](#) [6341G1](#) [6360G1](#) [6373G1](#) [6374g2](#) [6396G1](#) [647757-1](#) [66394-4](#)
[6643411-1](#) [6646058-2](#) [6646137-1](#) [6646138-1](#) [6646348-1](#) [6646479-1](#) [6646608-1](#) [6646786-1](#) [6646940-1](#) [6651091-1](#) [6651525-1](#) [6651529-1](#)
[6651778-1](#) [6651788-1](#) [696465-1](#) [696475-1](#) [73000005059](#) [73000005349](#) [73000005642](#) [73080255059](#) [73080965046](#) [765-15-0080A](#)
[765-16-0080B](#) [789.700-44](#) [789.700-54](#) [80-1010](#) [80-9](#) [827381-1](#) [829992-1](#) [902-77-02113](#) [PL00U-301-10D10](#) [PM103MOOLOO](#)
[PM16S1620S32-50](#) [PM212MOOLOO](#) [PM309FOOLOO](#) [PM324FOOLCH](#)