

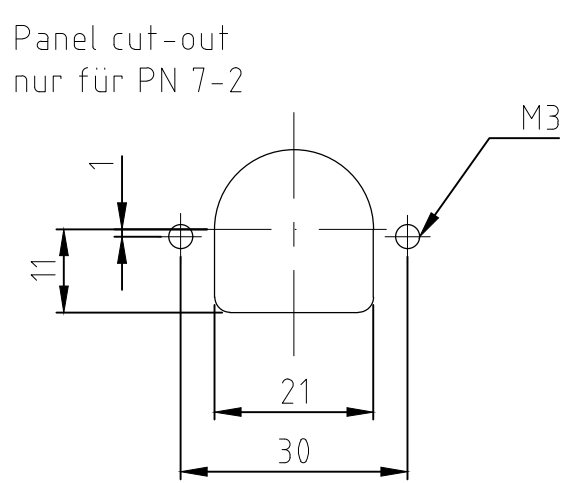
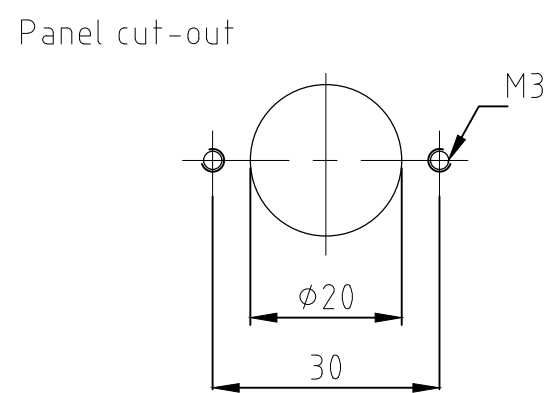
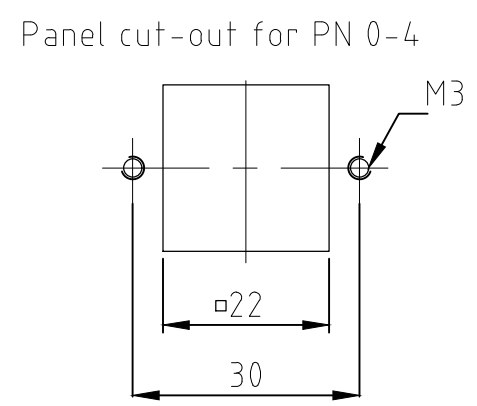
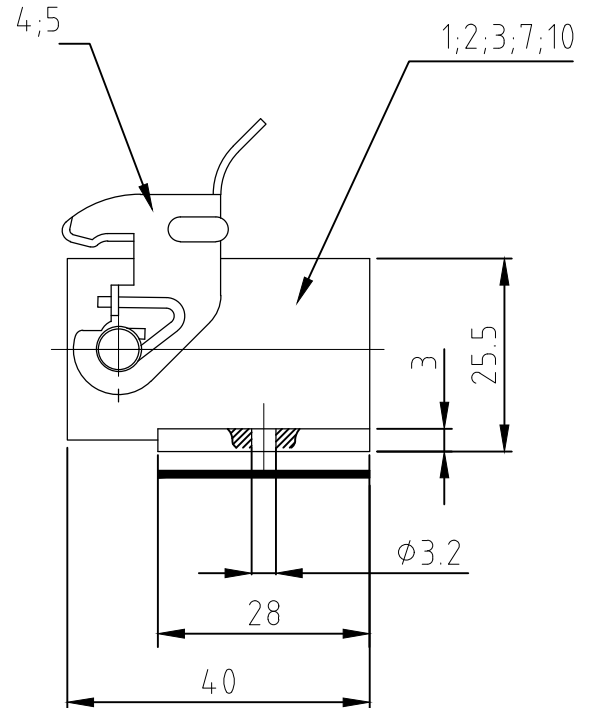
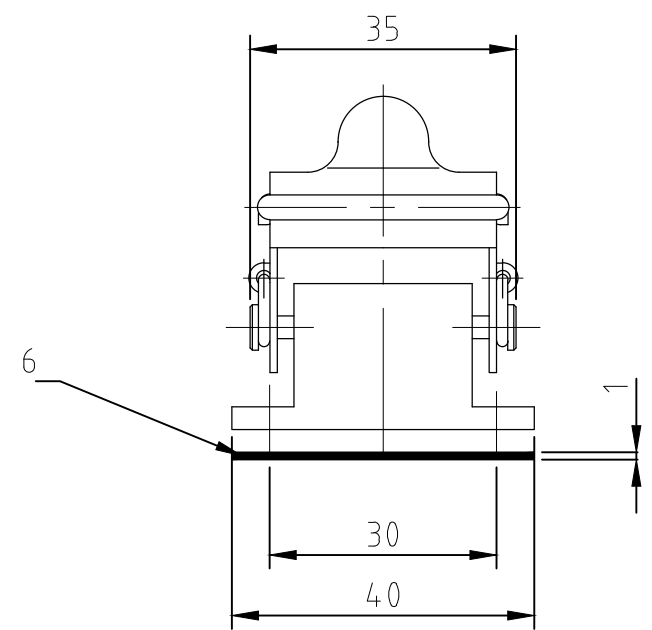
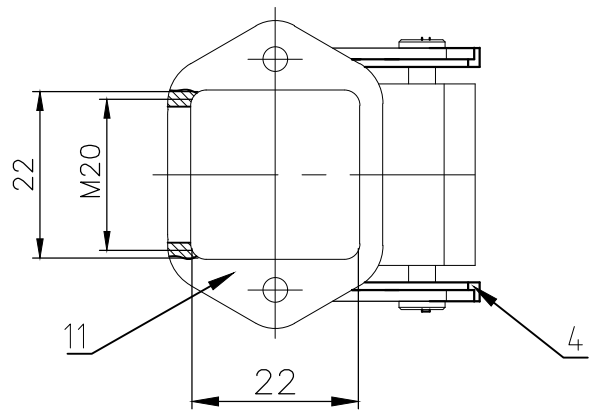
THIS DRAWING IS UNPUBLISHED.  
 VERTRAULICHE UNVERÖFFENTLICHTE ZEICHNUNG

RELEASED FOR PUBLICATION  
 FREI FUER VERÖFFENTLICHUNG

REVISIONS  
 AENDERUNGEN

P	LTR	DESCRIPTION BESCHREIBUNG	DATE	DWN	APVD
	A9	REVISED PER ECR-17-013084	02APR18	NG	MKO

- NOTES:
- 1 Material: zink diecast  
Seals: NEOPRENE
  - 2 SURFACE: HAMMER SCALES VARNISH  
OR POWDER COATED  
CORROSION PROTECTION
  - 3 PACKAGING:  
PACKAGING QUANTITY: 5 PIECES
  - 4 SPECIAL PACKAGING: Krauss-Maffei  
PACKAGING UNIT: 100 PIECES IN Krauss-Maffei-Box



ITEM NO. POS.	QTY	DESCRIPTION	MATERIAL	SURFACE	COLOR	NOTES
1	1	surface mounted housing side and bottom entry	zinc diecast		grey	11
1	1	surface mounted housing bottom entry	zinc diecast	blue passivation	without varnish	10
	2	Bügelbolzen/clip bolt	steel		blue	9
	1	surface mounted housing bottom entry	zinc diecast		grey	8
	1	surface mounted housing bottom entry	zinc diecast		alufarbig	7
1	1	Flanschdichtung/flanged seal	Neoprene		black	6
	1	side clip	stainless steel	blank		5
	1	side clip	steel	zink plated	blue	4
	1	surface mounted housing bottom entry			without varnish	3
	1	surface mounted housing bottom entry			black	2
	1	surface mounted housing bottom entry	zinc diecast		grey	1

ORDERING TEXT / BESTELLTEXT HA.3.AGW-LB.22x22.1.M20-B HA.3.AGW-LB.KM HA-EMV-K.3.AGW-LB HA.3.AGW-LB-SO HA.3.AGW-SO HA-K.3.AGW-LB-SO HA.3.AGW-LB-SO HA-K.3.AGW-LB HA.3.AGW-LB	THIS DRAWING IS A CONTROLLED DOCUMENT. DIESE ZEICHNUNG IST EIN KONTROLLIERTES DOKUMENT.	DWN 03.11.1999 <b>Schneider</b>	TE Connectivity <b>SURFACE MOUNTED HOUSING BOTTOM ENTRY</b> <b>ANBAUGEHAUESE HA.3.AGW-LB</b>		
	DIMENSIONS: MASSENHEITEN: mm 	TOLERANCES UNLESS OTHERWISE SPECIFIED: ALLGEMEINTOLERANZEN 0 PLC ± - 1 PLC ± - 2 PLC ± - 3 PLC ± - 4 PLC ± - ANGLES / WINKEL ± -		CHK 03.11.1999 <b>M Schweiger</b>	
	MATERIAL -	FINISH/OBERFLAECHE/FARBE -		PRODUCT SPEC PRODUKTSPEZ. <b>108-74000</b>	NAME -
				APPLICATION SPEC VERARBEITUNGSSPEZ. <b>114-74002</b>	SIZE A3 CAGE CODE 00779 DRAWING NO ZEICHNUNGS-NR. C-1102107 RESTRICTED TO NUR FUER -

## X-ON Electronics

Largest Supplier of Electrical and Electronic Components

*Click to view similar products for [Heavy Duty Power Connectors](#) category:*

*Click to view products by [TE Connectivity](#) manufacturer:*

Other Similar products are found below :

[647757-1](#) [6643411-1](#) [6646058-2](#) [6646137-1](#) [6646138-1](#) [6646479-1](#) [6646608-1](#) [6646786-1](#) [6646940-1](#) [6651091-1](#) [6651525-1](#) [6651529-1](#)  
[6651788-1](#) [696475-1](#) [702-32-01109](#) [703-25-02205](#) [73000005059](#) [73000005642](#) [73080255059](#) [73080965046](#) [765-15-0080A](#) [765-16-0080B](#)  
[765-18-0080D](#) [829992-1](#) [902-77-02113](#) [PS00/A0620/6300](#) [PS25/A0420/63](#) [129-1J](#) [1409400](#) [AN0024023](#) [E6374G1](#) [e6389g2](#) [157-43GW8](#)  
[MS3117-14AC](#) [1643543-1](#) [1650540-1](#) [1651811-2](#) [1766260-1](#) [1766282-1](#) [1766966-1](#) [1791340000](#) [NLDFT-3-BL-L-S120-M40A](#) [NLDFT-N-](#)  
[W-L-C240-M40B](#) [NLS-2-R-C240-M40B](#) [NLS-N-W-C240-M40B](#) [NPS-3-BL-T6](#) [1986615-1](#) [2-1589900-8](#) [2199314-1](#) [KA8102](#)