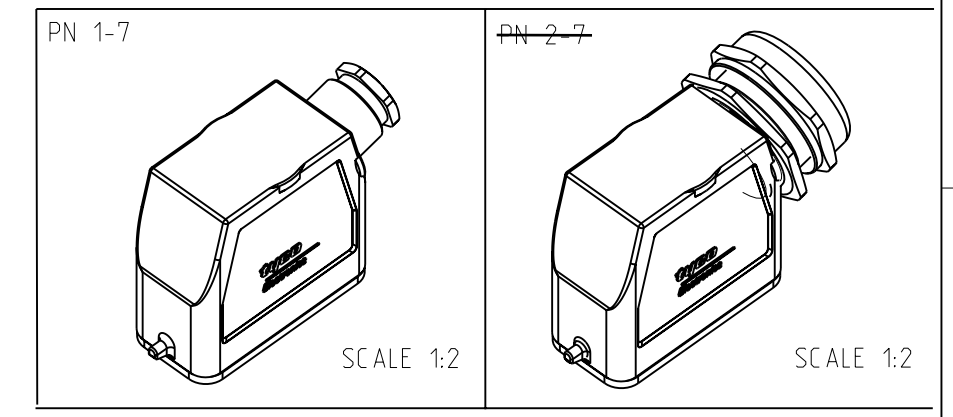
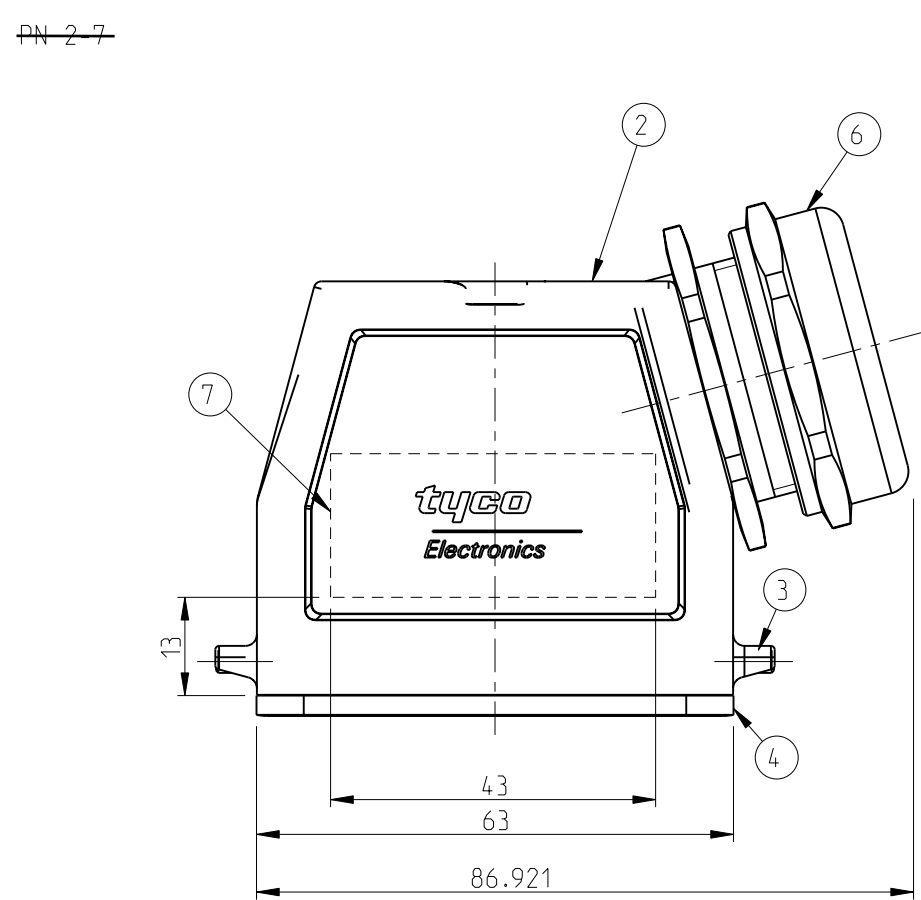
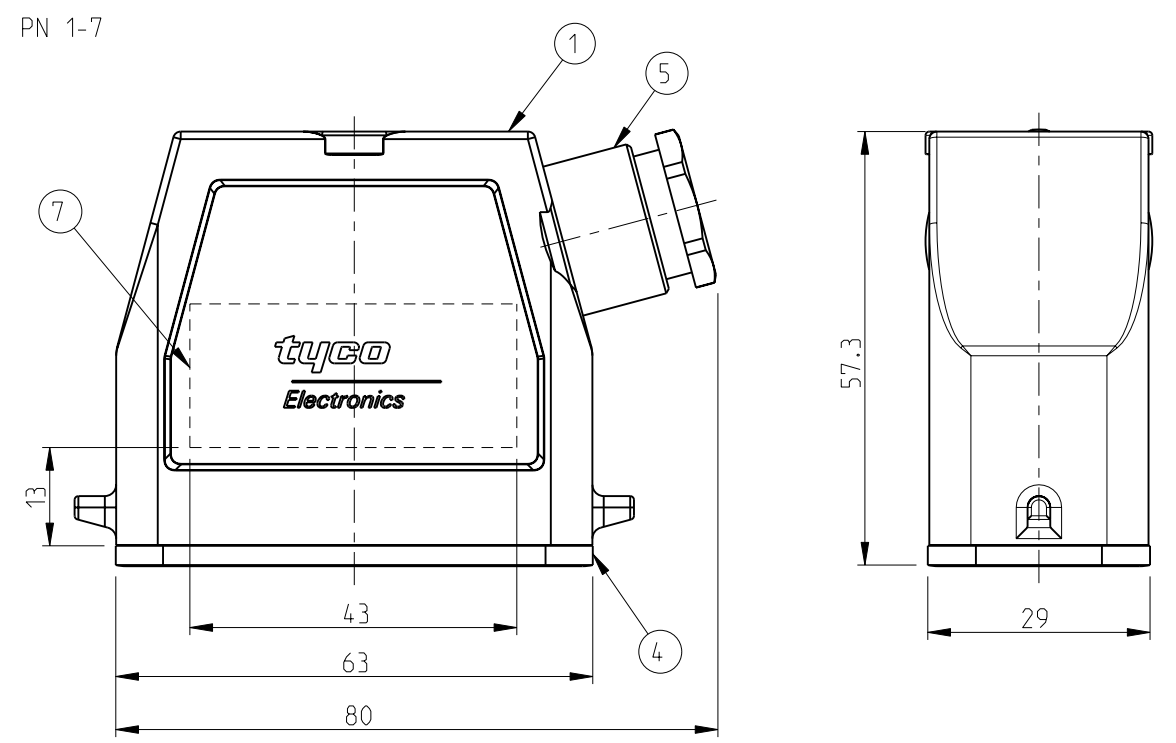


THIS DRAWING IS UNPUBLISHED. RELEASED FOR PUBLICATION .2000

© COPYRIGHT 2000 BY TYCO ELECTRONICS CORPORATION. ALL RIGHTS RESERVED.

LOC	DIST	REVISIONS				
P	LTR	DESCRIPTION	DATE	DWN	APVD	
A1	-	B2	RELEASED AS PER ECR-09-005170	05.MAR.2009	GG	TS
		B3	ECR-17-013084	29MAR18	SG	MKO

- NOTES
- 1 PACKAGING  
PACKAGING QUANTITY:5 PIECES PER BOX
  - 2 MATERIAL:HOUSING ALUMINIUM DIECASTING ALLOY
  - 3 SURFACE:VARNISH-GREY
  - 4 VARNISH ON THE INSIDE NOT NECESSARY



OBSOLETE

QTY	DESCRIPTION	MATERIAL	SURFACE	COLOR	ITEM NO	REMARKS
2	INSULATING TAPE	PVC	-	GREY	7	
1	CABLE FITTING	BRASS	NICKEL PLATED	BLUE	6	PG16
1	CABLE FITTING ROUND	BRASS	NICKEL PLATED	BLUE	5	PG16
1	PROFILE SEAL	NEOPRENE	-	BLACK	4	
2	CLIP BOLT	STAINLES STEEL	BLANK	-	3	
1	HOOD	ALUMINIUM	ALUMINIUM OXIDE	BLACK	2	
1	HOOD	ALUMINIUM	-	GREY	1	
2-7	1-7 DESCRIPTION	MATERIAL	SURFACE	COLOR	ITEM NO	REMARKS
	HA.10.STS.1.16					
	HA.K.10.STS.1.16					

THIS DRAWING IS A CONTROLLED DOCUMENT FOR TYCO ELECTRONICS CORPORATION IT IS SUBJECT TO CHANGE AND THE CONTROLLING ENGINEERING ORGANIZATION SHOULD BE CONTACTED FOR THE LATEST REVISION.

DIMENSIONS:	TOLERANCES UNLESS OTHERWISE SPECIFIED:
mm	0 PLC ±
	1 PLC ±
	2 PLC ±
	3 PLC ±
	4 PLC ±
	ANGLES ±
MATERIAL	FINISH

DWN	S.KUMAR	2/23/2006	Tyco Electronics, AMP.GmbH 53757 Sankt Augustin, Germany
CHK	R.SRINIVAS	2/23/2006	
APVD	T.SCHNURPFEL	2/23/2006	
PRODUCT SPEC	108-74009		
APPLICATION SPEC	114-74001		NAME
WEIGHT	-		HOOD HA.10.STS.1.16
CUSTOMER DRAWING	SCALE 1:1	SHEET 1 OF 1	RESTRICTED TO
			REV B3

## X-ON Electronics

Largest Supplier of Electrical and Electronic Components

*Click to view similar products for [Heavy Duty Power Connectors](#) category:*

*Click to view products by [TE Connectivity](#) manufacturer:*

Other Similar products are found below :

[647757-1](#) [6643411-1](#) [6646058-2](#) [6646137-1](#) [6646138-1](#) [6646479-1](#) [6646608-1](#) [6646786-1](#) [6646940-1](#) [6651091-1](#) [6651525-1](#) [6651529-1](#)  
[6651788-1](#) [696475-1](#) [702-32-01109](#) [703-25-02205](#) [73000005059](#) [73000005642](#) [73080255059](#) [73080965046](#) [765-15-0080A](#) [765-16-0080B](#)  
[765-18-0080D](#) [829992-1](#) [902-77-02113](#) [PS00/A0620/6300](#) [PS25/A0420/63](#) [129-1J](#) [1409400](#) [AN0024023](#) [E6374G1](#) [e6389g2](#) [157-43GW8](#)  
[MS3117-14AC](#) [1643543-1](#) [1650540-1](#) [1651811-2](#) [1766260-1](#) [1766282-1](#) [1766966-1](#) [1791340000](#) [NLDFT-3-BL-L-S120-M40A](#) [NLDFT-N-](#)  
[W-L-C240-M40B](#) [NLS-2-R-C240-M40B](#) [NLS-N-W-C240-M40B](#) [NPS-3-BL-T6](#) [1986615-1](#) [2-1589900-8](#) [2199314-1](#) [KA8102](#)