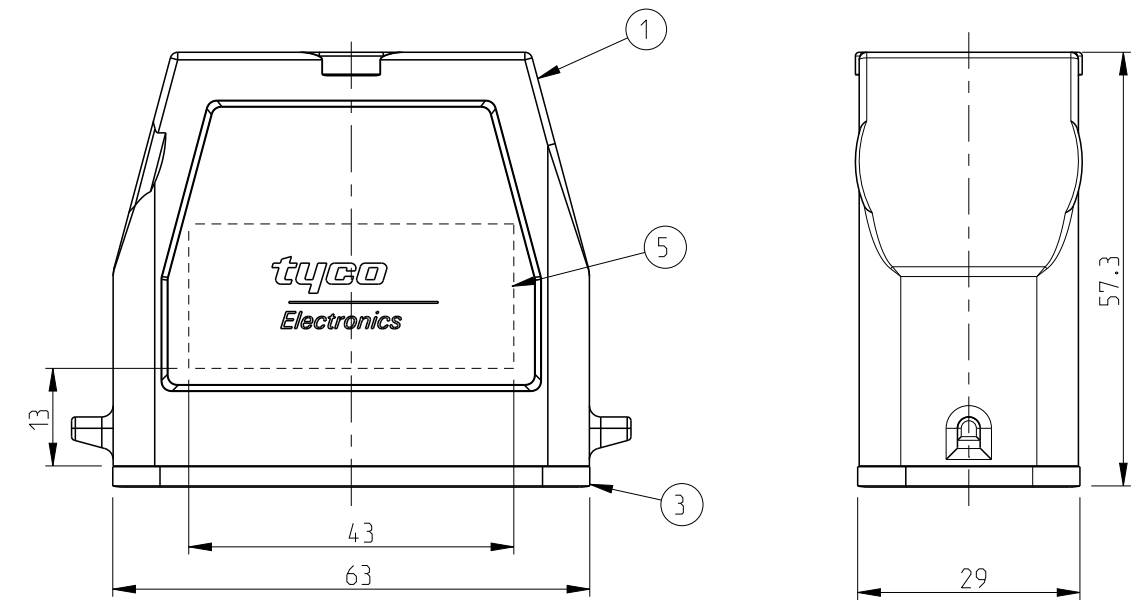


THIS DRAWING IS UNPUBLISHED. RELEASED FOR PUBLICATION 2000

© COPYRIGHT 2000 BY - ALL RIGHTS RESERVED.

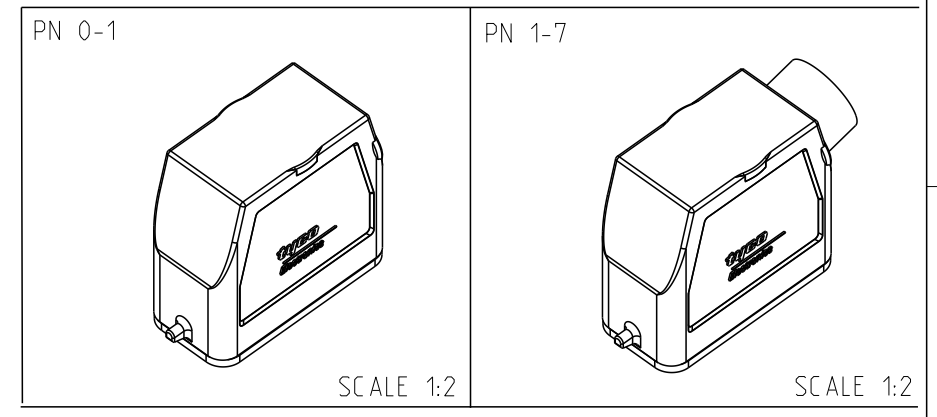
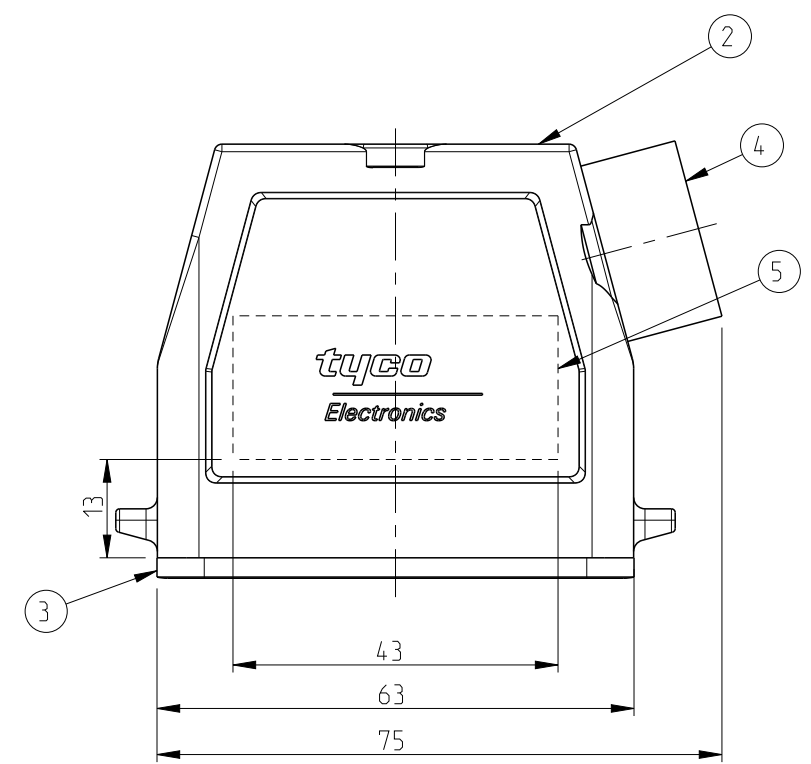
REVISIONS					
P	LTR	DESCRIPTION	DATE	DWN	APVD
B2		RELEASED AS PER ECR-09-005170	05.MAR.2009	GG	TS
B3		ECR-16-015318	17AUG2017	GR	MKO

PN 0-1



- NOTES
- 1 PACKAGING
PACKAGING QUANTITY:5 PIECES PER BOX
 - 2 MATERIAL:HOUSING ALUMINIUM DIECASTING ALLOY
 - 3 SURFACE:VARNISH-GREY
 - 4 VARNISH ON THE INSIDE NOT NECESSARY

PN 1-7



QTY	DESCRIPTION	MATERIAL	SURFACE	COLOR	ITEM NO	REMARKS
2	INSULATING TAPE	COROPLAST TYP 303	-	GREY	5	PVC-SOFT
1	ADAPTOR ROUND	BRASS	NICKEL PLATED	BLUE	4	PG16
1	PROFILE SEAL	NEOPRENE	-	BLACK	3	
1	HA,HOOD	ALUMINIUM	-	GREY	2	
-	HA,HOOD	ALUMINIUM	-	GREY	1	WITHOUT PG

HA.10.STS.1.16.Z		HA.10.STS.1.16.Z	
DWN S.KUMAR 2/24/2006 CHK R.SRINIVAS 2/24/2006 APVD T.SCHNURPFIL 2/24/2006		STE TE Connectivity	
DIMENSIONS: mm TOLERANCES UNLESS OTHERWISE SPECIFIED: 0 PLC ± 1 PLC ± 2 PLC ± 3 PLC ± 4 PLC ± ANGLES ±		NAME HOOD HA.10.STS.1.16.Z	
MATERIAL 2 FINISH 3		PRODUCT SPEC 108-74009 APPLICATION SPEC 114-74001 WEIGHT -	
CUSTOMER DRAWING		SIZE A3	RESTRICTED TO -
		CAGE CODE 00779	DRAWING NO C=1102116
		SCALE 1:1	SHEET 1 OF 1
		REV B3	

X-ON Electronics

Largest Supplier of Electrical and Electronic Components

Click to view similar products for [Heavy Duty Power Connectors](#) category:

Click to view products by [TE Connectivity](#) manufacturer:

Other Similar products are found below :

[1424439](#) [1424438](#) [09330062652](#) [605601-1](#) [6340G1](#) [6341G1](#) [6360G1](#) [6373G1](#) [6374g2](#) [6396G1](#) [647757-1](#) [6643411-1](#) [6646058-2](#) [6646137-1](#)
[6646138-1](#) [6646348-1](#) [6646479-1](#) [6646608-1](#) [6646786-1](#) [6646940-1](#) [6651525-1](#) [6651529-1](#) [6651778-1](#) [6651788-1](#) [696465-1](#) [696475-1](#)
[73000005059](#) [73000005349](#) [73000005642](#) [73080965046](#) [765-15-0080A](#) [765-16-0080B](#) [789.700-44](#) [789.700-54](#) [80-1010](#) [80-9](#) [827381-1](#)
[829992-1](#) [902-77-02113](#) [PL00U-301-10D10](#) [PM103MOOLOO](#) [PM212MOOLOO](#) [PM309FOOLOO](#) [PM324FOOLCH](#) [PMHPAF11S03](#)
[PMHPAF14S01](#) [PMHPAM14P05](#) [PMHPAS06](#) [PMHPBF14S01](#) [PP45PC12S](#)