

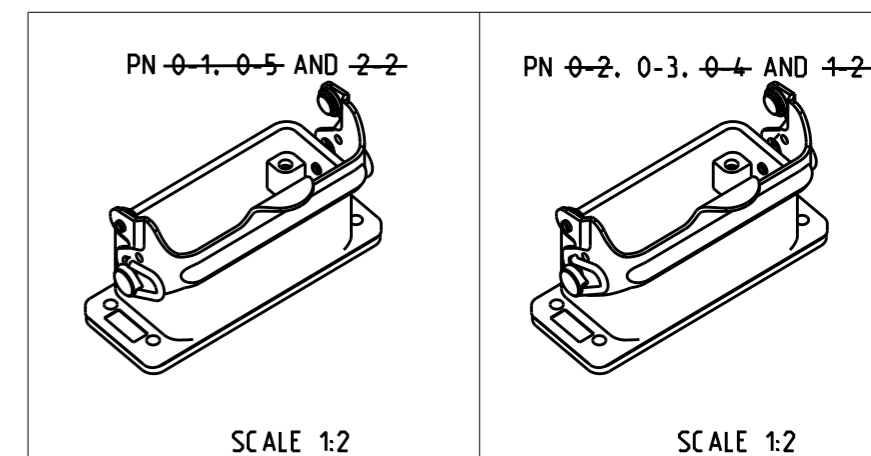
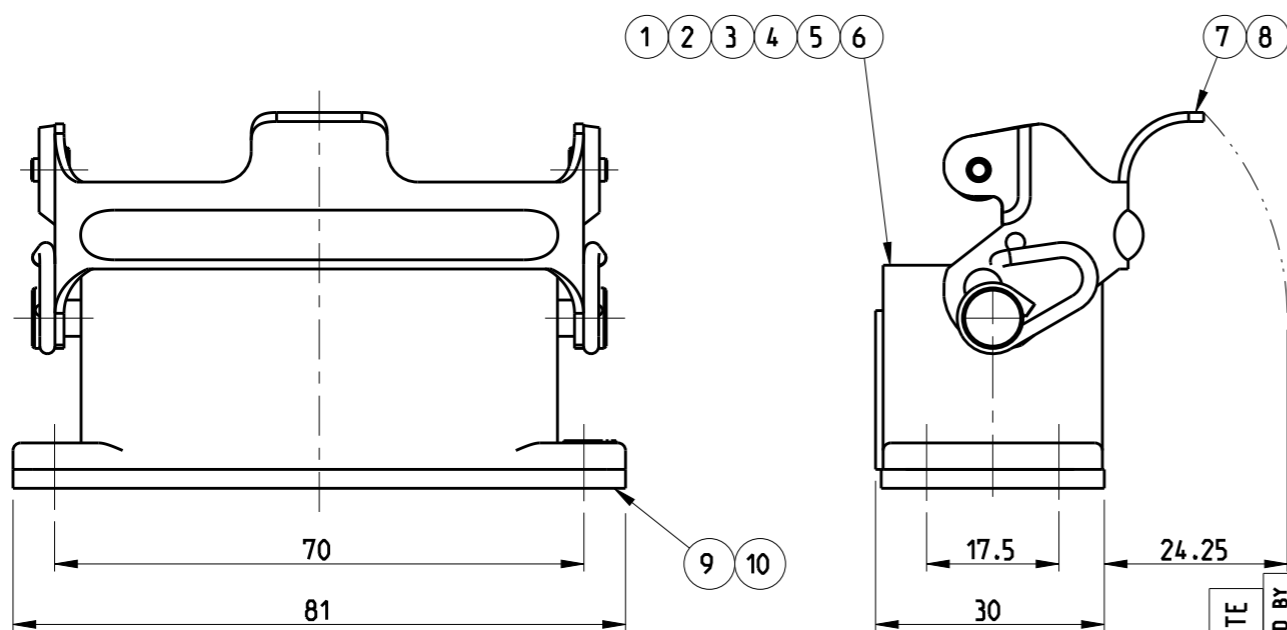
THIS DRAWING IS UNPUBLISHED. RELEASED FOR PUBLICATION 2000
 © COPYRIGHT 2000 BY - ALL RIGHTS RESERVED.

REVISIONS

| P | LTR | DESCRIPTION | DATE | DWN | APVD |
|---|-----|---------------------------|-----------|-----|------|
| | A10 | REVISED PER ECR-17-014412 | 03APR2018 | NG | MKO |

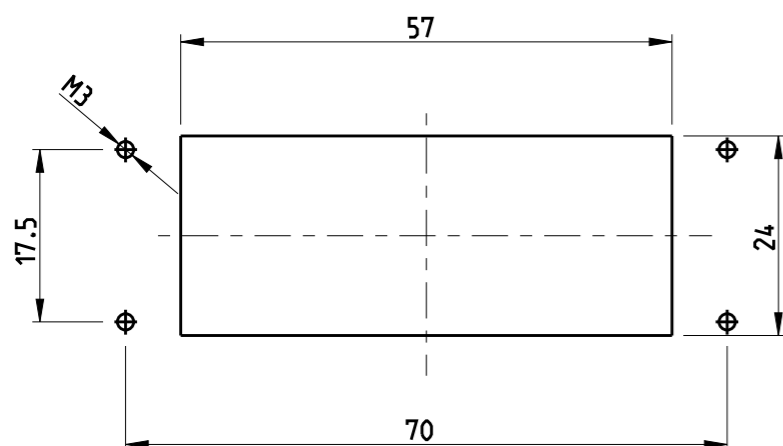
NOTES:

- 1 MATERIAL: SEE TABLE
- 2 SURFACE: SEE TABLE
- 3 VARNISH ON THE INSIDE NOT NECESSARY
- 4 Chromital TCP - PASSIVATION
- 5 OBSOLETE PARTS: OBSOLETE CIS STREAMLINING PER D.RENAUD/D.SINISI



PN 0-1 AS SHOWN

PANEL-CUTOUT



| QTY | DESCRIPTION | MATERIAL | SURFACE | COLOR | ITEM NO | REMARKS |
|-----|---------------------------------------|-----------------|-----------------|-----------------|---------|---------|
| 1 | FLANGE MOUNTED SEAL | NEOPRENE | CONDUCTIVE | BLACK | 10 | |
| 1 | FLANGE MOUNTED SEAL | NEOPRENE | | BLACK | 9 | |
| 1 | LB- SIDE CLIP | STAINLESS STEEL | | | 8 | |
| 1 | LB- SIDE CLIP | STEEL | ZINC PLATED | BLUE | 7 | |
| 1 | SURFACE MOUNTED HOUSING, BOTTOM ENTRY | ALUMINIUM | HARD COAT | BLACK | 6 | ∅3.7mm |
| 1 | SURFACE MOUNTED HOUSING, BOTTOM ENTRY | ALUMINIUM | 4 | | 5 | |
| 1 | SURFACE MOUNTED HOUSING, BOTTOM ENTRY | ALUMINIUM | HARD COAT | AL COLOR | 4 | |
| 1 | SURFACE MOUNTED HOUSING, BOTTOM ENTRY | ALUMINIUM | | WITHOUT VARNISH | 3 | |
| 1 | SURFACE MOUNTED HOUSING, BOTTOM ENTRY | ALUMINIUM | ALUMINIUM OXIDE | BLACK RAL 9005 | 2 | |
| 1 | SURFACE MOUNTED HOUSING, BOTTOM ENTRY | ALUMINIUM | | GREY RAL 7001 | 1 | |

| QTY | DESCRIPTION | MATERIAL | SURFACE | COLOR | ITEM NO | REMARKS |
|-----|---------------------------------------|-----------------|-----------------|-----------------|---------|---------|
| 2-2 | FLANGE MOUNTED SEAL | NEOPRENE | CONDUCTIVE | BLACK | 10 | |
| 1-2 | FLANGE MOUNTED SEAL | NEOPRENE | | BLACK | 9 | |
| 0-5 | LB- SIDE CLIP | STAINLESS STEEL | | | 8 | |
| 0-4 | LB- SIDE CLIP | STEEL | ZINC PLATED | BLUE | 7 | |
| 0-3 | SURFACE MOUNTED HOUSING, BOTTOM ENTRY | ALUMINIUM | HARD COAT | BLACK | 6 | ∅3.7mm |
| 0-2 | SURFACE MOUNTED HOUSING, BOTTOM ENTRY | ALUMINIUM | 4 | | 5 | |
| 0-1 | SURFACE MOUNTED HOUSING, BOTTOM ENTRY | ALUMINIUM | HARD COAT | AL COLOR | 4 | |
| | SURFACE MOUNTED HOUSING, BOTTOM ENTRY | ALUMINIUM | | WITHOUT VARNISH | 3 | |
| | SURFACE MOUNTED HOUSING, BOTTOM ENTRY | ALUMINIUM | ALUMINIUM OXIDE | BLACK RAL 9005 | 2 | |
| | SURFACE MOUNTED HOUSING, BOTTOM ENTRY | ALUMINIUM | | GREY RAL 7001 | 1 | |

| ORDERING TEXT |
|------------------|
| HA-K.10.AG-LB.S0 |
| HA.10.AG-LB.S0 |
| HA.10.AG-LB.KM |
| HA-EMV.10.AG-LB |
| HA-K.10.AG-LB |
| HA.10.AG-LB |
| HA-K.10.AG-LB |

THIS DRAWING IS A CONTROLLED DOCUMENT.

| | | | | | | | | | | |
|------------------|--------------|----------|---------------------|---|-----------|--------|------------|-----------|---------------|--|
| DWN | SCHNEIDER | 4/8/1999 | TE Connectivity | NAME SURFACE MOUNTED HOUSING, BOTTOM ENTRY HA10.AG-LB | | | | | | |
| CHK | SCHWEIGER | 4/8/1999 | | | | | | | | |
| APVD | T.SCHNURPFEL | 4/8/1999 | | | | | | | | |
| PRODUCT SPEC | 108-74009 | | SIZE | A3 | CAGE CODE | 00779 | DRAWING NO | C-1102121 | RESTRICTED TO | |
| APPLICATION SPEC | 114-74004 | | SCALE | 1:1 | SHEET | 1 OF 1 | REV | A10 | | |
| WEIGHT | - | | CUSTOMER DRAWING | | | | | | | |

| DIMENSIONS: | TOLERANCES UNLESS OTHERWISE SPECIFIED: |
|-------------|--|
| mm | 0 PLC ± |
| | 1 PLC ± |
| | 2 PLC ± |
| | 3 PLC ± |
| | 4 PLC ± |
| | ANGLES ± |
| MATERIAL | FINISH |
| 1 | 2 |

X-ON Electronics

Largest Supplier of Electrical and Electronic Components

Click to view similar products for [Heavy Duty Power Connectors](#) category:

Click to view products by [TE Connectivity](#) manufacturer:

Other Similar products are found below :

[647757-1](#) [6643411-1](#) [6646058-2](#) [6646137-1](#) [6646138-1](#) [6646479-1](#) [6646608-1](#) [6646786-1](#) [6646940-1](#) [6651091-1](#) [6651525-1](#) [6651529-1](#)
[6651788-1](#) [696475-1](#) [702-32-01109](#) [703-25-02205](#) [73000005059](#) [73000005642](#) [73080255059](#) [73080965046](#) [765-15-0080A](#) [765-16-0080B](#)
[765-18-0080D](#) [829992-1](#) [902-77-02113](#) [PS00/A0620/6300](#) [PS25/A0420/63](#) [129-1J](#) [1409400](#) [AN0024023](#) [E6374G1](#) [e6389g2](#) [157-43GW8](#)
[MS3117-14AC](#) [1643543-1](#) [1650540-1](#) [1651811-2](#) [1766260-1](#) [1766282-1](#) [1766966-1](#) [1791340000](#) [NLDFT-3-BL-L-S120-M40A](#) [NLDFT-N-](#)
[W-L-C240-M40B](#) [NLS-2-R-C240-M40B](#) [NLS-N-W-C240-M40B](#) [NPS-3-BL-T6](#) [1986615-1](#) [2-1589900-8](#) [2199314-1](#) [KA8102](#)