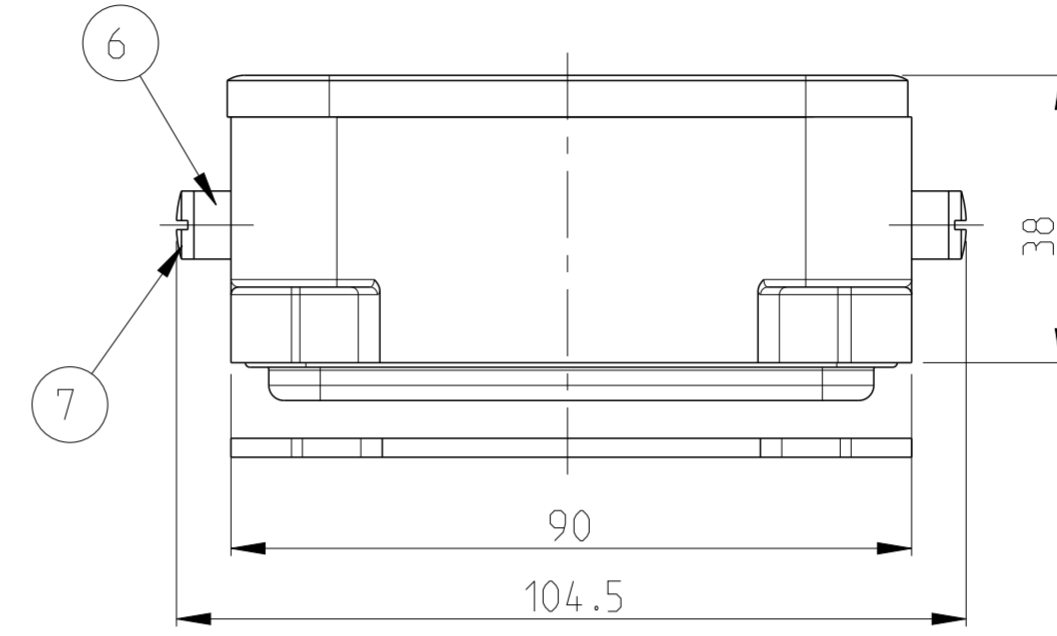
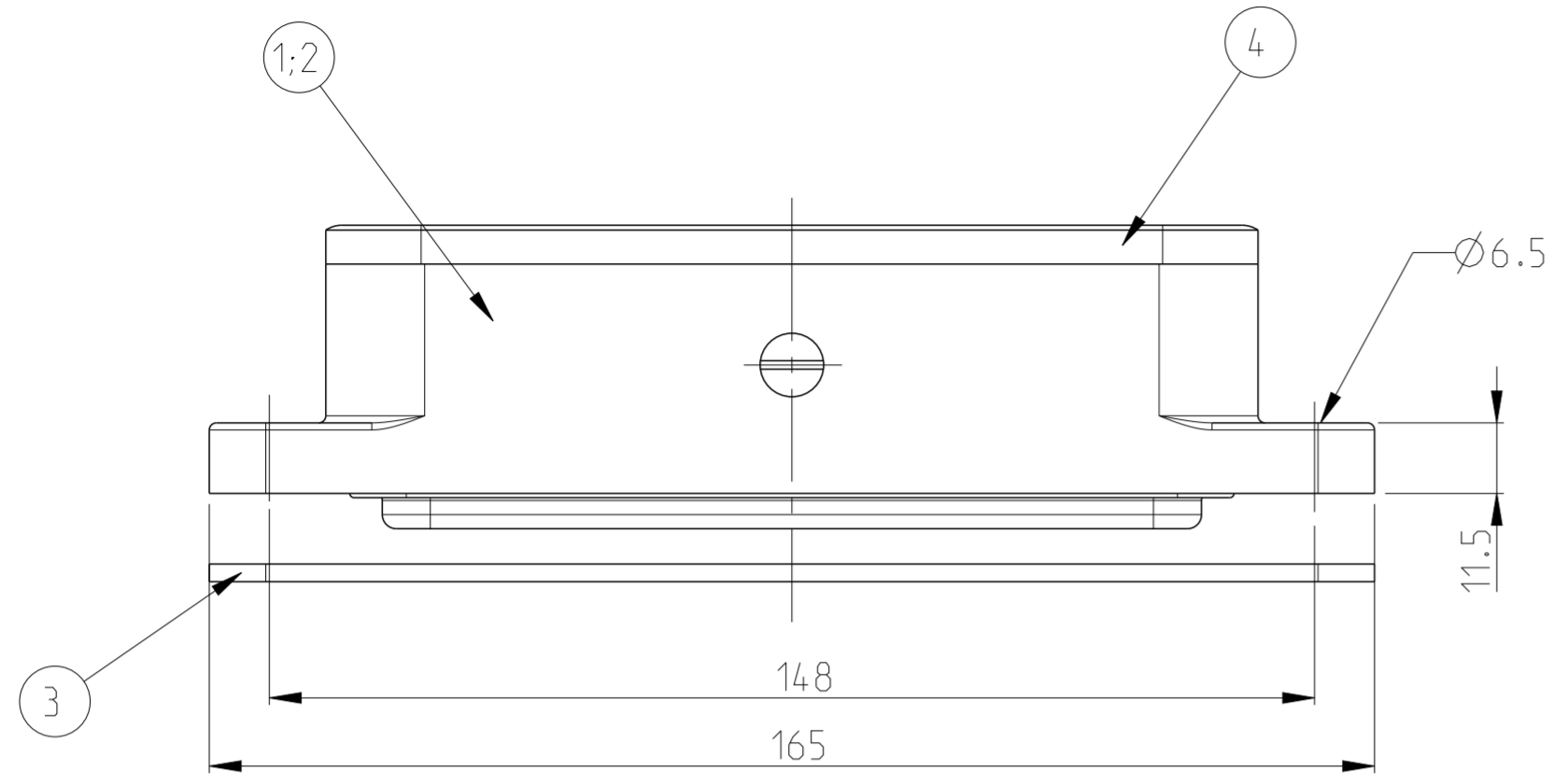
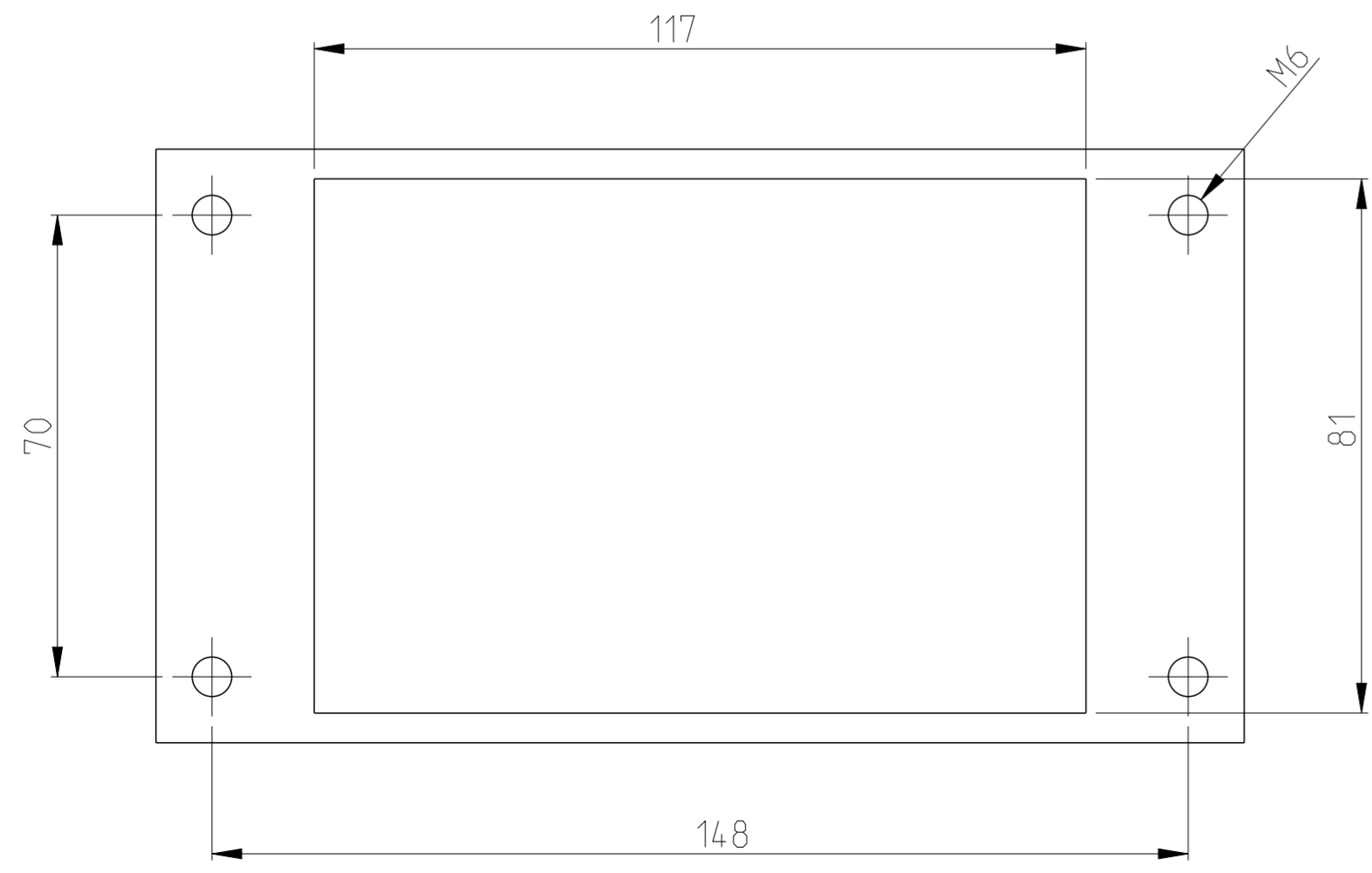


THIS DRAWING IS UNPUBLISHED. RELEASED FOR PUBLICATION 2006
 © COPYRIGHT 2006 BY - ALL RIGHTS RESERVED.

REVISIONS					
P	LTR	DESCRIPTION	DATE	DWN	APVD
A2		new Pro/E drawing ECR-07-019263	13AUG2007	SR	ST
A3		REVISED PER ECR-17-013084	05JAN2018	NC	MKO



PANEL CUT-OUT



NOTES

- 1 PART SHALL BE FREE AND CLEAN OF BURRS AND OTHER FOREIGN MATERIAL
- 2 PACKAGING: QUANTITY 3 PIECES
- 3 VARNISHING INSIDE HOUSING NOT REQUIRED

QTY	DESCRIPTION	MATERIAL	SURFACE	COLOR	ITEM	
2	SLIDE SPOOL	V2A	BLANK	-	8	
- 2	SLIDE SPOOL	STEEL	ZINK PLATED	BLUE	7	
2	SIDE CLIP	V2A	BLANK	-	6	
- 2	SIDE CLIP	STEEL	ZINK PLATED	BLUE	5	
1	FLANGED SEAL	NEOPRENE	-	BLACK	4	
1	PROFIL SEAL	NEOPRENE	-	BLACK	3	
1	SUR. MOUNT. HOUS. BOTTOM ENTRY	ALUMINIUM/ALU	ALUMINIUM OXID	BLACK	2	
- 1	SUR. MOUNT. HOUS. BOTTOM ENTRY	ALUMINIUM/ALU	-	GREY	1	
2-8	1-8	DESCRIPTION	MATERIAL	SURFACE	COLOR	ITEM
HB-Z.48.AG-ZW GR						
HB-K/Z.48.AG-ZW GR						

THIS DRAWING IS A CONTROLLED DOCUMENT. DWN R. SCHNEIDER 13AUG2007
 CHK SCHNURPFEL 13AUG2007

STE TE Connectivity

NAME SURFACE MOUNTED HOUSING BOTTOM ENTRY
 - AG-ZVGR.HB.48

SIZE A2 CAGE CODE 00779 DRAWING NO C-1102237 RESTRICTED TO

MATERIAL material_2 FINISH finish_spec_2 WEIGHT - SCALE 5:1 SHEET 1 OF 1 REV A3

CUSTOMER DRAWING

X-ON Electronics

Largest Supplier of Electrical and Electronic Components

Click to view similar products for [Heavy Duty Power Connectors](#) category:

Click to view products by [TE Connectivity](#) manufacturer:

Other Similar products are found below :

[1424439](#) [1424438](#) [09330062652](#) [605601-1](#) [6340G1](#) [6341G1](#) [6360G1](#) [6373G1](#) [6374g2](#) [6396G1](#) [647757-1](#) [6643411-1](#) [6646058-2](#) [6646137-1](#)
[6646138-1](#) [6646348-1](#) [6646479-1](#) [6646608-1](#) [6646786-1](#) [6646940-1](#) [6651525-1](#) [6651529-1](#) [6651778-1](#) [6651788-1](#) [696465-1](#) [696475-1](#)
[73000005059](#) [73000005349](#) [73000005642](#) [73080965046](#) [765-15-0080A](#) [765-16-0080B](#) [789.700-44](#) [789.700-54](#) [80-1010](#) [80-9](#) [827381-1](#)
[829992-1](#) [902-77-02113](#) [PL00U-301-10D10](#) [PM103MOOLOO](#) [PM212MOOLOO](#) [PM309FOOLOO](#) [PM324FOOLCH](#) [PMHPAF11S03](#)
[PMHPAF14S01](#) [PMHPAM14P05](#) [PMHPAS06](#) [PMHPBF14S01](#) [PP45PC12S](#)