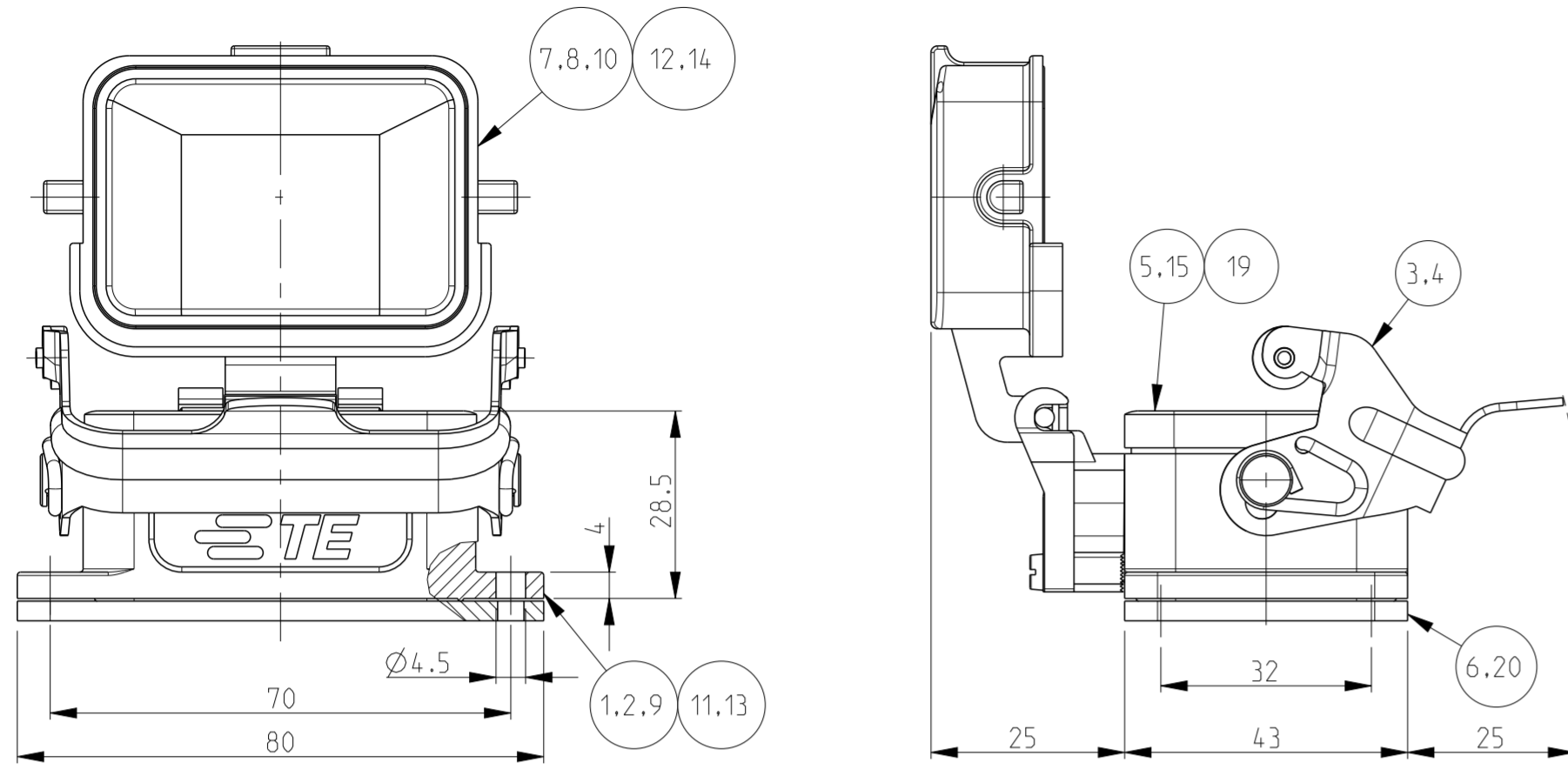


THIS DRAWING IS UNPUBLISHED. RELEASED FOR PUBLICATION .1997  
 © COPYRIGHT 1997 BY - ALL RIGHTS RESERVED.

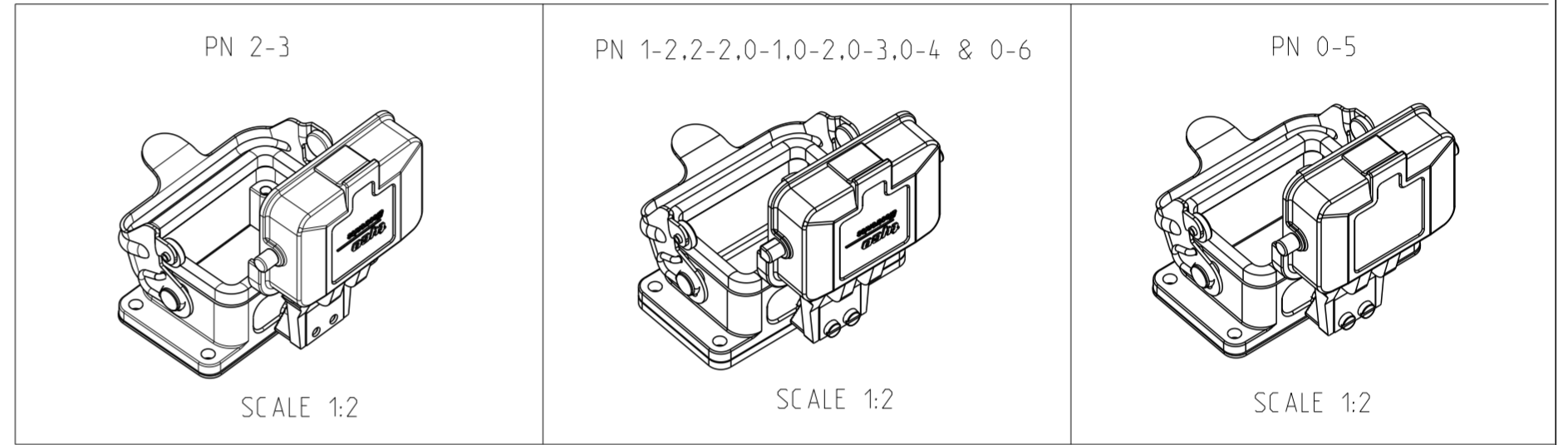
REVISIONS					
P	LTR	DESCRIPTION	DATE	DWN	APVD
	B3	ECR-17-013084	29MAR2018	SG	MKO

PN 1-2.2-2.0-1.0-2.0-3.0-4 & 0-6

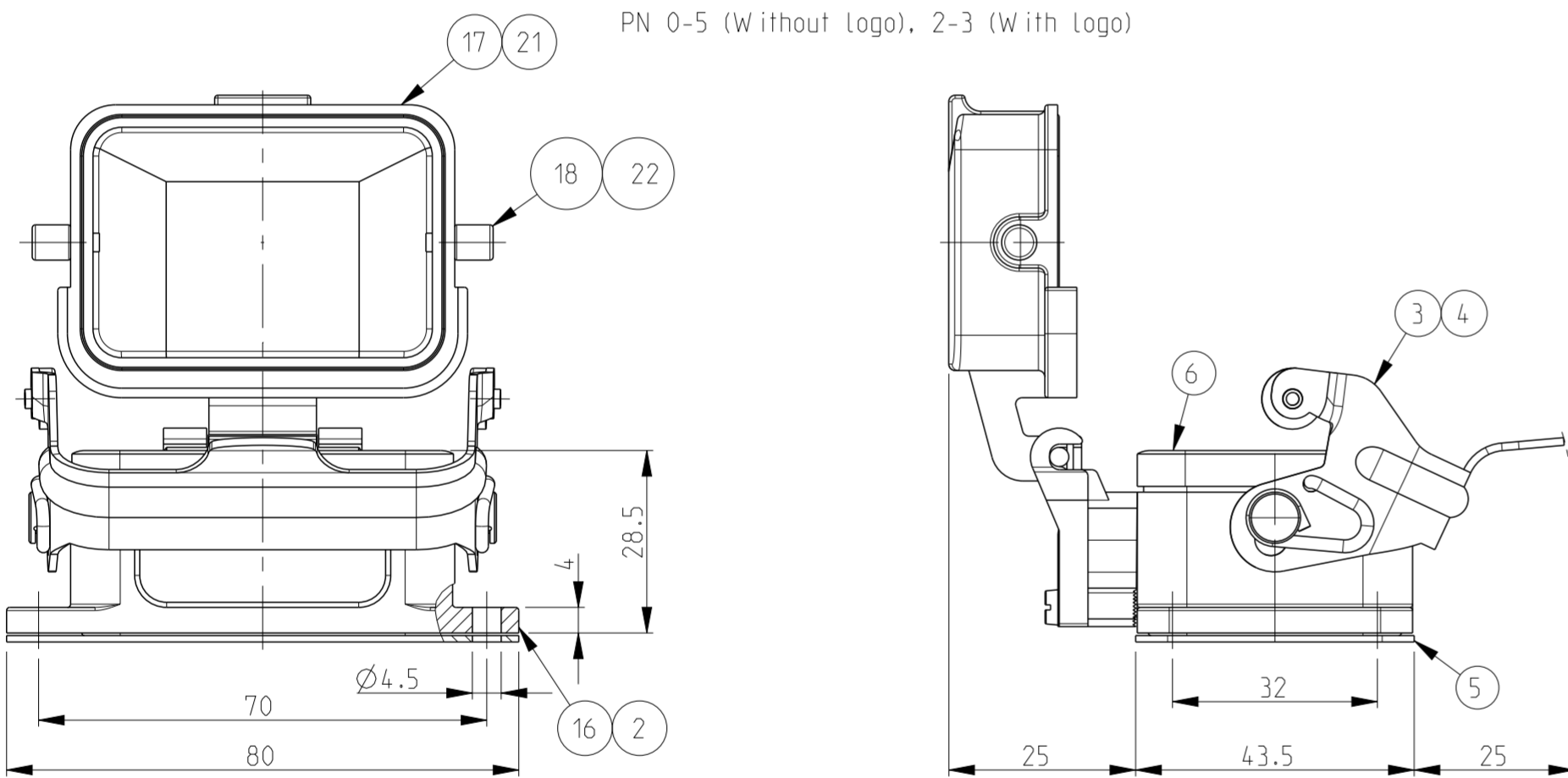


NOTES.

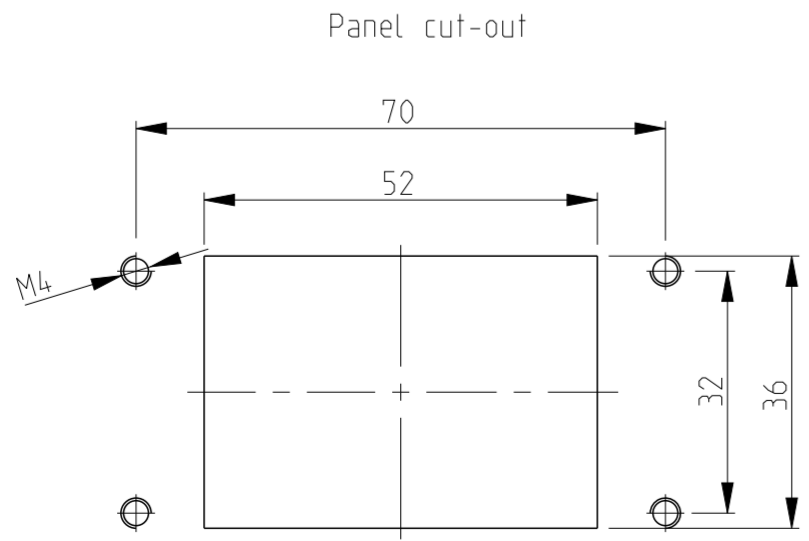
- 1 Material:Housing:Aluminium Diecasting Alloy  
Seals :Neoprene: Viton
- 2 Surface: Varnish-Grey/fire-red /alu-colored  
-Aluminium Oxide +  
Varnish Black  
Chromital TCP-Passivation
- 3 Varnish on the inside not necessary
- 4 Packaging  
Quantity 5 Pieces in a box
- 5 Without TE product sign
- 6 Special Packaging  
Quantity 50 Pieces in a Kanban box



PN 0-5 (Without logo), 2-3 (With logo)



QTY	DESCRIPTION	MATERIAL	SURFACE	COLOR	ITEM NO	NOTES							
2	LB Clip bolt	Stainless steel			22								
1	Cover HB-K	Aluminium	Aluminium oxide	Black	21								
1	Flange seal	Viton		Black	20								
1	Profile seal	Viton		Grey	19								
1	LB Clip bolt	Steel	Zinc plated	Blue	18								
1	Cover HB	Aluminium		Grey	17	Without TE logo 5							
1	Surface mounted housing bottom entry HB	Aluminium		Grey	16	Without TE logo 6							
1	Profile seal	Neoprene		Black	15	Conductive							
1	Cover HB-EMV	Aluminium	SEE NOTE 7	Black	14								
1	Surface mounted housing bottom entry HB-EMV	Aluminium	SEE NOTE 8	Black	13								
1	Cover HB	Aluminium		Borning ried	12								
1	Surface mounted housing bottom entry HB	Aluminium		Borning ried	11								
1	Cover HB	Aluminium	Aluminium oxide	Alu-colored	10								
1	Surface mounted housing bottom entry HB	Aluminium	Aluminium oxide	Alu-colored	9								
1	Cover HB	Aluminium	Aluminium oxide	Black	8								
1	Cover HB	Aluminium		Grey	7								
1	Flange seal	Neoprene		Black	6								
1	Profile seal	Neoprene		Black	5								
1	LB-Side clip HB	Stainless steel	Blank		4								
1	LB-Side clip HB	Steel	Zinc plated	Blue	3								
1	Surface mounted housing bottom entry HB-K	Aluminium	Aluminium oxide	Black	2								
1	Surface mounted housing bottom entry HB	Aluminium		Grey	1								
2-30-6	0-5	0-4	0-3	0-2	0-1	2-2	1-2	DESCRIPTION	MATERIAL	SURFACE	COLOR	ITEM NO	NOTES
								HB.6.AGD-LB					
								HB-K.6.AGD-LB					
								HB-K.6.AGD-LB					
								HB.6.AGD-LB.KM					
								HB.6.AGD-LB.KM					
								HB-EMV.6.AGD-LB					
								HB.6.AGD-LB					
								HB.6.AGD-LB.V					
								HB-K.6.AGD-LB					



THIS DRAWING IS A CONTROLLED DOCUMENT. DWN Schneider 23.09.1999  
 CHK Schweiger 23.09.1999  
 APVD -

DIMENSIONS: mm TOLERANCES UNLESS OTHERWISE SPECIFIED:  
 0 PLC ±0.150  
 1 PLC ±0.200  
 2 PLC ±0.300  
 3 PLC ±0.400  
 4 PLC ±0.500  
 ANGLES ±

MATERIAL: material\_2 FINISH: finish\_spec\_2

PRODUCT SPEC: 108-74001/74003  
 APPLICATION SPEC: 114-74004/74005  
 WEIGHT: -

NAME: Surface mounted housing bottom entry HB.6.AGD-LB  
 SIZE: A2 CAGE CODE: 00779 DRAWING NO: C-1102246 RESTRICTED TO: -  
 CUSTOMER DRAWING SCALE: 1:1 SHEET: 1 OF 1 REV: B3

TE Connectivity

## X-ON Electronics

Largest Supplier of Electrical and Electronic Components

*Click to view similar products for [Heavy Duty Power Connectors](#) category:*

*Click to view products by [TE Connectivity](#) manufacturer:*

Other Similar products are found below :

[647757-1](#) [6643411-1](#) [6646058-2](#) [6646137-1](#) [6646138-1](#) [6646479-1](#) [6646608-1](#) [6646786-1](#) [6646940-1](#) [6651091-1](#) [6651525-1](#) [6651529-1](#)  
[6651788-1](#) [696475-1](#) [702-32-01109](#) [703-25-02205](#) [73000005059](#) [73000005642](#) [73080255059](#) [73080965046](#) [765-15-0080A](#) [765-16-0080B](#)  
[765-18-0080D](#) [829992-1](#) [902-77-02113](#) [PS00/A0620/6300](#) [PS25/A0420/63](#) [129-1J](#) [1409400](#) [AN0024023](#) [E6374G1](#) [e6389g2](#) [157-43GW8](#)  
[MS3117-14AC](#) [1643543-1](#) [1650540-1](#) [1651811-2](#) [1766260-1](#) [1766282-1](#) [1766966-1](#) [1791340000](#) [NLDFT-3-BL-L-S120-M40A](#) [NLDFT-N-](#)  
[W-L-C240-M40B](#) [NLS-2-R-C240-M40B](#) [NLS-N-W-C240-M40B](#) [NPS-3-BL-T6](#) [1986615-1](#) [2-1589900-8](#) [2199314-1](#) [KA8102](#)