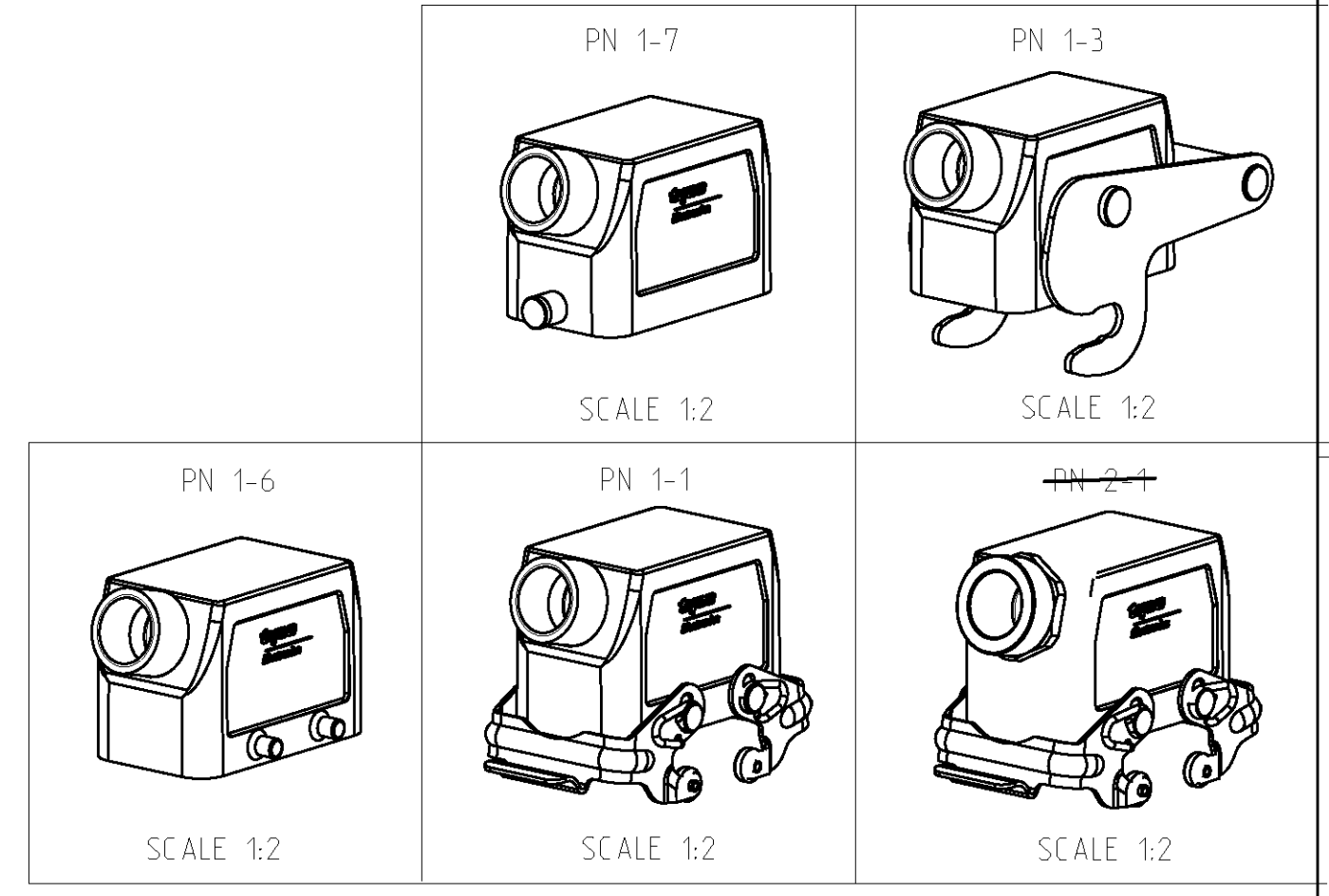


| LOC | DISC | REV | DATE | BY | APPD |
|-----|------|-----|----------|----|------|
| - | - | A4 | 17.12.07 | SP | TS |
| - | - | A5 | 12JAN10 | KK | AEG |

- NOTES.
- Material:Housing:Aluminium Diecasting Alloy
 - Surface:Varnish grey
 - Varnish on the inside not necessary
 - Packaging
Quantity 5 Pieces in a box

⚠️ OBSOLETE PARTS: OBSOLETE CIS STREAMLINING PER D.RENAUD/D.SINISI



| QTY | DESCRIPTION | MATERIAL | SURFACE | COLOR | ITEM NO | NOTES |
|-----|--------------------|-----------------|-----------------|-------|---------|-------|
| 1 | ZB-Central clip | Stainless steel | - | - | 10 | |
| 2 | LB-Clip bolt | Stainless steel | - | - | 9 | |
| 2 | LB-Clip bolt | Steel | Zinc plated | Blue | 8 | |
| 2 | VS-Side clip | Stainless steel | - | - | 7 | |
| 2 | VS-Side clip | Steel | Zinc plated | Blue | 6 | |
| 4 | VS-Clip bolt | Stainless steel | - | - | 5 | |
| 1 | 6-K1-Adaptor PG16 | Brass | Nickel plated | - | 4 | |
| 1 | Adaptor round PG16 | Brass | Nickel plated | - | 3 | |
| 1 | Hood HB.10.Pg.1.16 | Aluminium | Aluminium oxide | Blak | 2 | |
| 1 | Hood HB.10.Pg.1.16 | Aluminium | - | Grey | 1 | |

ORDERING TEXT
 HB.10.STS.1.16.Z
 HB-K.10.Sts.1.16.Z
 HB.10.STS-VS.1.16.Z
 HB-K.10.STS-VS.1.16.Z
 HB.10.STS-GR.1.16.Z
 HB-K.10.Sts-GR.1.16.Z
 HB-Z.10.STS-ZB.1.16.Z

| | | | | | | | |
|------------------------|--|---------------------------------------------------------------------------------------------------------------------------------------------------------|--|------------------------------------------------------------|--|---------------------------------------------------------------------------|--|
| DIMENSIONS: mm | | TOLERANCES UNLESS OTHERWISE SPECIFIED: 0.150-1.500 mm ±0.15 1.500-3.000 mm ±0.20 3.000-6.000 mm ±0.30 6.000-12.000 mm ±0.40 ANGLES ±0.5° | | DWN Schneider 03.03.99 CDR Schneider 03.03.99 APVD - | | Tyco Electronics Tyco Electronics AMP GmbH 0-53819,Neunkirchen,Germany | |
| MATERIAL - FINISH - | | PRODUCT SPEC - APPLICATION SPEC - | | NAME Hood HB.10.Sts.1.16.Z | | SIZE A1100779 C=1102260 SCALE 1:1 SHEET 1 OF 1 REV A5 | |

X-ON Electronics

Largest Supplier of Electrical and Electronic Components

Click to view similar products for [Heavy Duty Power Connectors](#) category:

Click to view products by [TE Connectivity](#) manufacturer:

Other Similar products are found below :

[647757-1](#) [6643411-1](#) [6646058-2](#) [6646137-1](#) [6646138-1](#) [6646479-1](#) [6646608-1](#) [6646786-1](#) [6646940-1](#) [6651091-1](#) [6651525-1](#) [6651529-1](#)
[6651788-1](#) [696475-1](#) [702-32-01109](#) [703-25-02205](#) [73000005059](#) [73000005642](#) [73080255059](#) [73080965046](#) [765-15-0080A](#) [765-16-0080B](#)
[765-18-0080D](#) [829992-1](#) [902-77-02113](#) [PS00/A0620/6300](#) [PS25/A0420/63](#) [129-1J](#) [1409400](#) [AN0024023](#) [E6374G1](#) [e6389g2](#) [157-43GW8](#)
[MS3117-14AC](#) [1643543-1](#) [1650540-1](#) [1651811-2](#) [1766260-1](#) [1766282-1](#) [1766966-1](#) [1791340000](#) [NLDFT-3-BL-L-S120-M40A](#) [NLDFT-N-](#)
[W-L-C240-M40B](#) [NLS-2-R-C240-M40B](#) [NLS-N-W-C240-M40B](#) [NPS-3-BL-T6](#) [1986615-1](#) [2-1589900-8](#) [2199314-1](#) [KA8102](#)