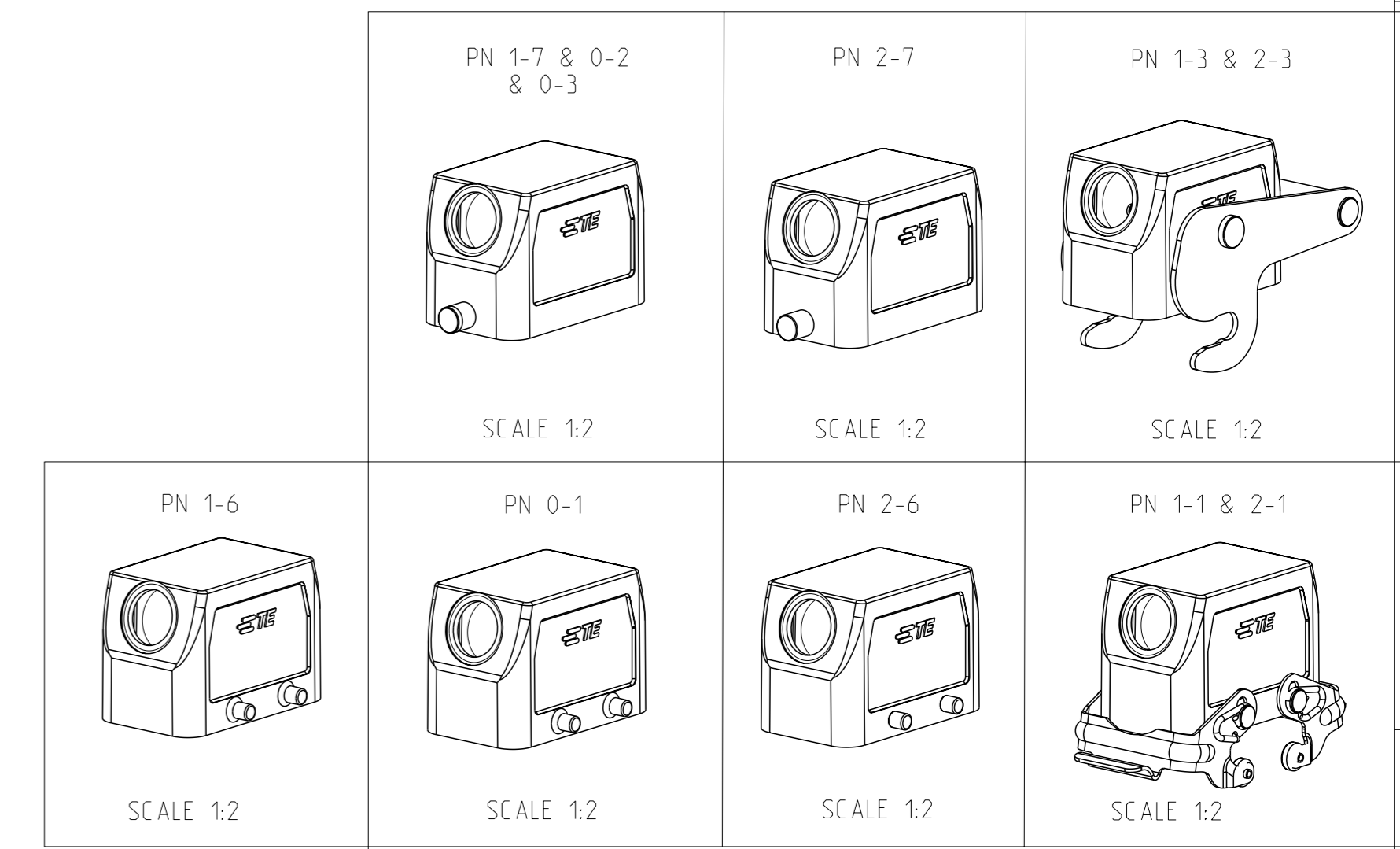


REVISIONS				
#	LT#	DESCRIPTION	DATE	OWN APVD
A6		Released as per ECR-07-030422	17.12.07	SP TS
A7		ECR-16-015318	26DEC12017	GR MKO
A8		REVISED PER ECR-17-013084	11JAN2018	SRG MKO

- NOTES.
- Material:Housing:Aluminium Diecasting Alloy
 - Surface-Powder Varnish Grey
-Aluminium Oxide -
Varnish Black
 - Varnish on the inside not necessary
 - Packaging
Quantity 5 Pieces in a box



QTY	DESCRIPTION	MATERIAL	SURFACE	COLOR	ITEM NO	NOTES
1	ZB-Central clip	Stainless steel	Blank	-	11	
1	ZB-Central clip	Steel	Zinc plated	Blue	10	
2	LB- Clip bolt	Stainless steel	Blank	-	9	
2	LB- Clip bolt	Steel	Zinc plated	Blue	8	
	VS-Side clip	Stainless steel	Blank	-	7	
	VS-Side clip	Steel	Zinc plated	Blue	6	
	VS- Clip bolt	Stainless steel	Blank	-	5	
1	HB- Hood	Aluminium	-	No varnish	4	
	HB- Hood	Aluminium	-	Grey	3	Identification plate
1	HB-K Hood	Aluminium	Aluminium oxide	Black	2	
1	HB- Hood	Aluminium	-	Grey	1	
0-32-31-32-70-21-72-11-12-60-11-6	DESCRIPTION	MATERIAL	SURFACE	COLOR	ITEM NO	NOTES
	HB.10.STS.1.16.G					
	HB.10.STS.1.16.G					
	HB-K.10.STS.1.16.G					
	HB.10.STS-VS.1.16.G					
	HB-K.10.STS-VS.1.16.G					
	HB.10.STS-GR.1.16.G					
	HB.10.STS-GR.1.9.G					
	HB-K.10.STS-GR.1.16.G					
	HB-Z.10.STS-ZB.1.16.G					
	HB-K/Z.10.STS-ZB.1.16.G					
	HB.10.STS-GR.1.16.G					

THIS DRAWING IS A CONTROLLED DOCUMENT. DWN: Schneider 19.05.00
 CHK: Schweiger 19.05.00

DIMENSIONS: mm TOLERANCES UNLESS OTHERWISE SPECIFIED:
 0 mm ±0.1
 1-4 mm ±0.2
 5-10 mm ±0.3
 15-30 mm ±0.4
 35-50 mm ±0.5
 55-70 mm ±0.6
 75-100 mm ±0.8
 ANGLES FINISH *

MATERIAL: - FINISH: - WEIGHT: -

CUSTOMER DRAWING

NAME: HB Hood
 HB.10.STS.1.16.G

PRODUCT SPEC: - APPLICATION SPEC: -

SIZE: A1 CAGE CODE: 00779 DRAWING NO: 1102261 RESTRICTED TO: -

SCALE: 1:1 SHEET: 1 OF 1 REV: AB

X-ON Electronics

Largest Supplier of Electrical and Electronic Components

Click to view similar products for [Heavy Duty Power Connectors](#) category:

Click to view products by [TE Connectivity](#) manufacturer:

Other Similar products are found below :

[647757-1](#) [6643411-1](#) [6646058-2](#) [6646137-1](#) [6646138-1](#) [6646479-1](#) [6646608-1](#) [6646786-1](#) [6646940-1](#) [6651091-1](#) [6651525-1](#) [6651529-1](#)
[6651788-1](#) [696475-1](#) [702-32-01109](#) [703-25-02205](#) [73000005059](#) [73000005642](#) [73080255059](#) [73080965046](#) [765-15-0080A](#) [765-16-0080B](#)
[765-18-0080D](#) [829992-1](#) [902-77-02113](#) [PS00/A0620/6300](#) [PS25/A0420/63](#) [129-1J](#) [1409400](#) [AN0024023](#) [E6374G1](#) [e6389g2](#) [157-43GW8](#)
[MS3117-14AC](#) [1643543-1](#) [1650540-1](#) [1651811-2](#) [1766260-1](#) [1766282-1](#) [1766966-1](#) [1791340000](#) [NLDFT-3-BL-L-S120-M40A](#) [NLDFT-N-](#)
[W-L-C240-M40B](#) [NLS-2-R-C240-M40B](#) [NLS-N-W-C240-M40B](#) [NPS-3-BL-T6](#) [1986615-1](#) [2-1589900-8](#) [2199314-1](#) [KA8102](#)