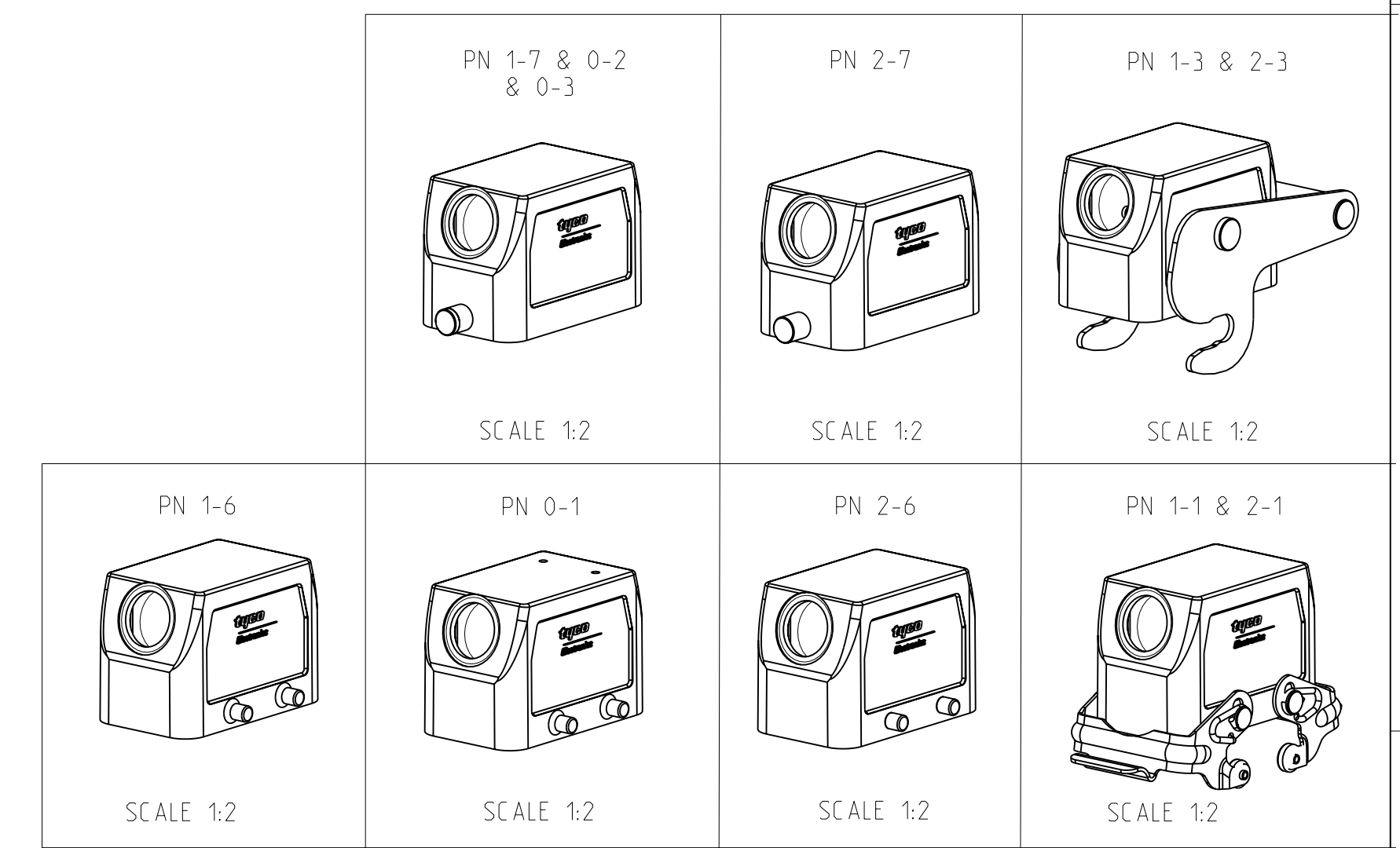


LOC	DIST	REV	DESCRIPTION	DATE	DWN	APVD
-	-	A6	Released as per ECR-07-030422	17.12.07	SP	TS

- NOTES.
- 1 Material:Housing-Aluminium Diecasting Alloy
 - 2 Surface-Powder Varnish Grey
-Aluminium Oxide +
Varnish Black
 - 3 Varnish on the inside not necessary
 - 4 Packaging
Quantity 5 Pieces in a box



QTY	DESCRIPTION	MATERIAL	SURFACE	COLOR	ITEM NO	NOTES
1	ZB-Central clip	Stainless steel	Blank	-	11	
1	ZB-Central clip	Steel	Zinc plated	Blue	10	
2	LB- Clip bolt	Stainless steel	Blank	-	9	
2	LB- Clip bolt	Steel	Zinc plated	Blue	8	
2	VS-Side clip	Stainless steel	Blank	-	7	
2	VS-Side clip	Steel	Zinc plated	Blue	6	
4	VS- Clip bolt	Stainless steel	Blank	-	5	
1	HB- Hood	Aluminium	-	No varnish	4	
1	HB- Hood	Aluminium	-	Grey	3	Identification plate
1	HB- Hood	Aluminium	Aluminium oxide	Black	2	
1	HB- Hood	Aluminium	-	Grey	1	
QTY	DESCRIPTION	MATERIAL	SURFACE	COLOR	ITEM NO	NOTES
0-32-31-32-70-21-72-11-12-60-11-6	DESCRIPTION					
	HB.10.STS.1.16.G					
	HB.10.STS.1.16.G					
	HB-K.10.STS.1.16.G					
	HB.10.STS-VS.1.16.G					
	HB-K.10.STS-VS.1.16.G					
	HB.10.STS-GR.1.16.G					
	HB.10.STS-GR.1.9.G					
	HB-K.10.STS-GR.1.16.G					
	HB-Z.10.STS-ZB.1.16.G					
	HB-K/Z.10.STS-ZB.1.16.G					
	HB.10.STS-GR.1.16.G					

DIMENSIONS: mm 		TOLERANCES UNLESS OTHERWISE SPECIFIED: 0 TO 30mm ±0.15 30 TO 50mm ±0.2 50 TO 100mm ±0.3 100 TO 200mm ±0.4 200 TO 500mm ±0.5 ANGLES ±0.5		DWN Schneider 19.05.00 CHK Schneider 19.05.00 APVD -		Tyco Electronics Tyco Electronics, AMP, GmbH 0-53819, Neunkirchen, Germany	
MATERIAL: - FINISH: -		PRODUCT SPEC: - APPLICATION SPEC: -		NAME: Hood HB.10.STS.1.16.G		SIZE: A 00779 C=1102261 SCALE: 1:1 SHEET: 1 OF 1 REV: A6	
CUSTOMER DRAW ING		WEIGHT: -		RESTRICTED TO: -		REVISIONS: -	

X-ON Electronics

Largest Supplier of Electrical and Electronic Components

Click to view similar products for [Heavy Duty Power Connectors](#) category:

Click to view products by [TE Connectivity](#) manufacturer:

Other Similar products are found below :

[1424439](#) [1424438](#) [09330062652](#) [2-8675P1](#) [580129-2](#) [605601-1](#) [6340G1](#) [6341G1](#) [6360G1](#) [6373G1](#) [6374g2](#) [6396G1](#) [647757-1](#) [66394-4](#)
[6643411-1](#) [6646058-2](#) [6646137-1](#) [6646138-1](#) [6646348-1](#) [6646479-1](#) [6646608-1](#) [6646786-1](#) [6646940-1](#) [6651091-1](#) [6651525-1](#) [6651529-1](#)
[6651778-1](#) [6651788-1](#) [696465-1](#) [696475-1](#) [73000005059](#) [73000005349](#) [73000005642](#) [73080255059](#) [73080965046](#) [765-15-0080A](#)
[765-16-0080B](#) [789.700-44](#) [789.700-54](#) [80-1010](#) [80-9](#) [827381-1](#) [829992-1](#) [902-77-02113](#) [PL00U-301-10D10](#) [PM103MOOLOO](#)
[PM16S1620S32-50](#) [PM212MOOLOO](#) [PM309FOOLOO](#) [PM324FOOLCH](#)