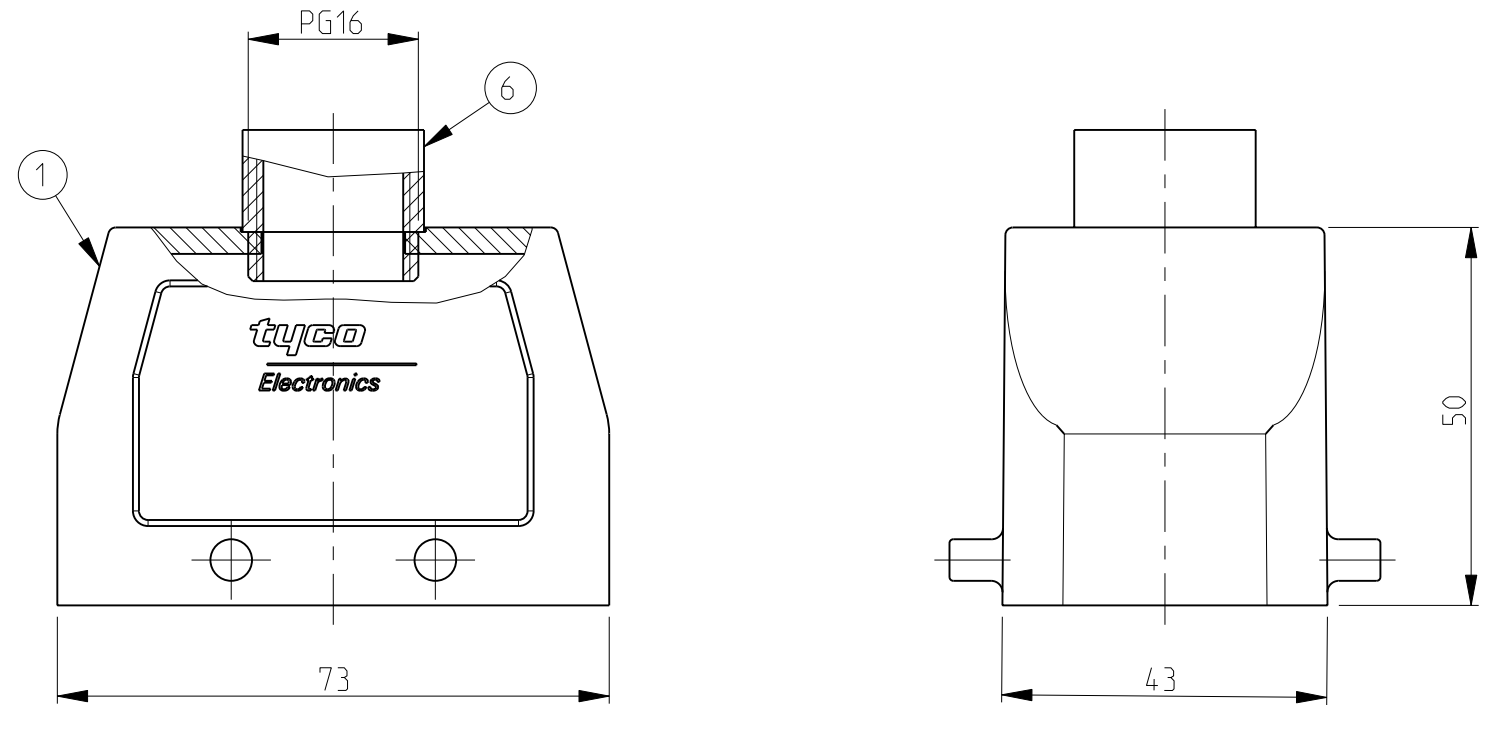


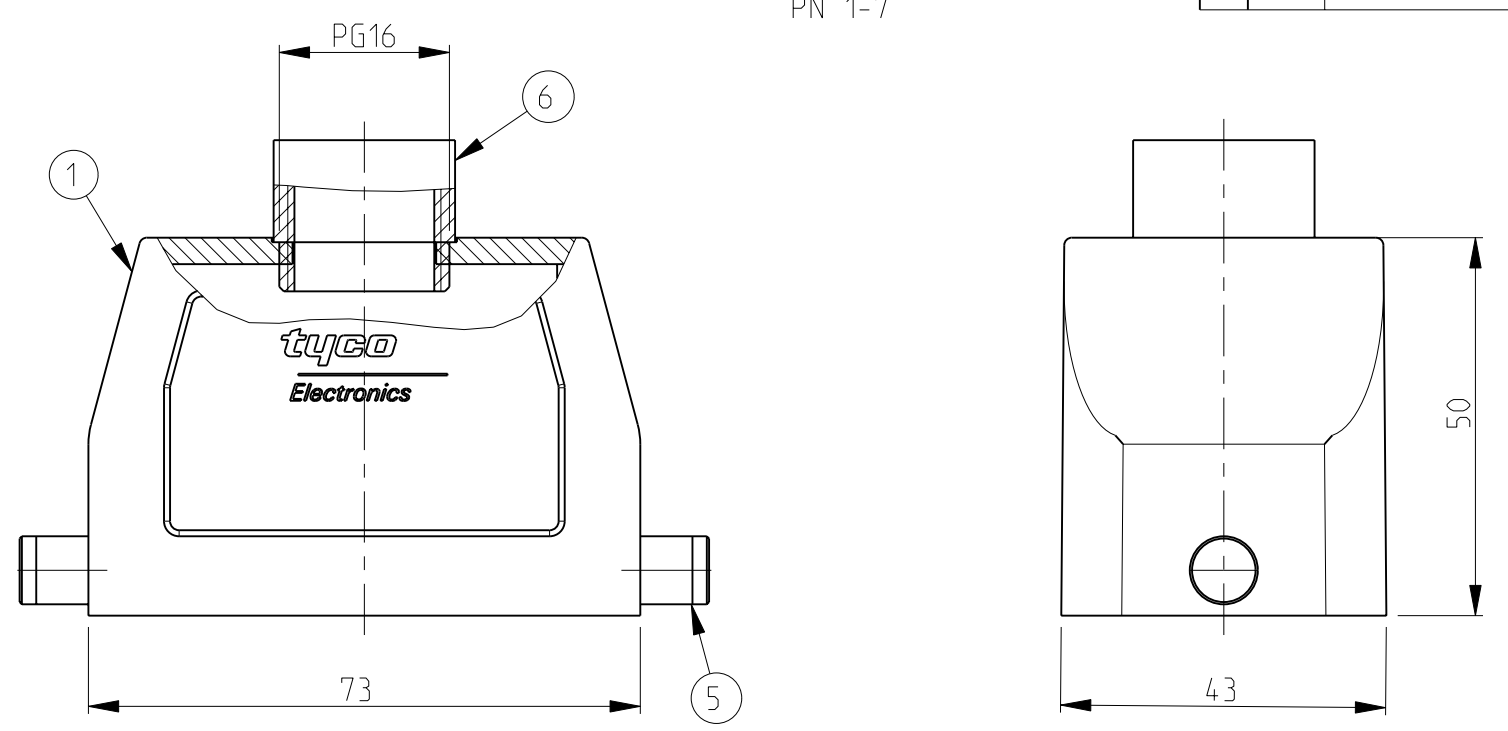
THIS DRAWING IS UNPUBLISHED. RELEASED FOR PUBLICATION .1997  
 © COPYRIGHT 1997 BY TYCO ELECTRONICS CORPORATION. ALL RIGHTS RESERVED.

LOC		DIST		REVISIONS			
P	LTR	DESCRIPTION	DATE	DWN	APVD		
A1	-						
A2		Released as per ECR-07-030422	17.12.07	SP	TS		

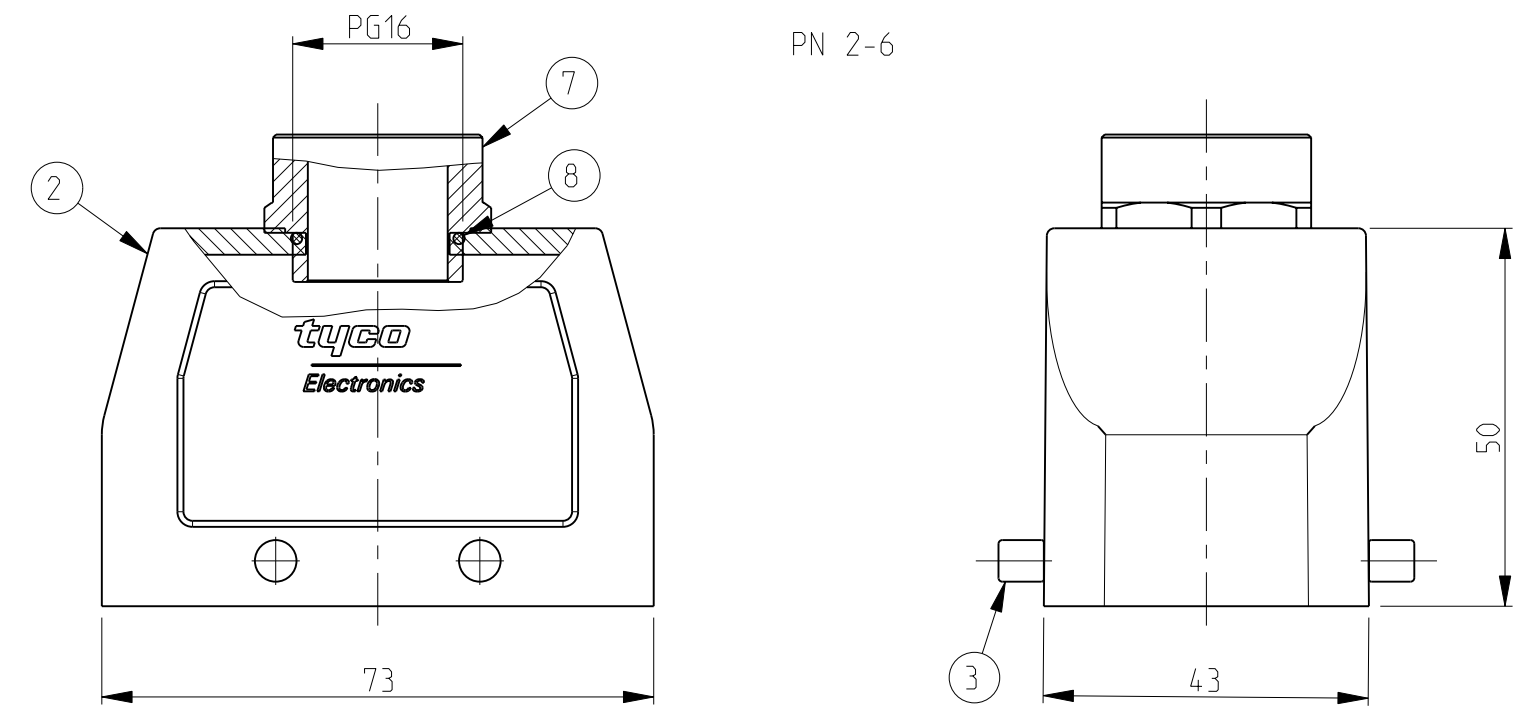
PN 1-6



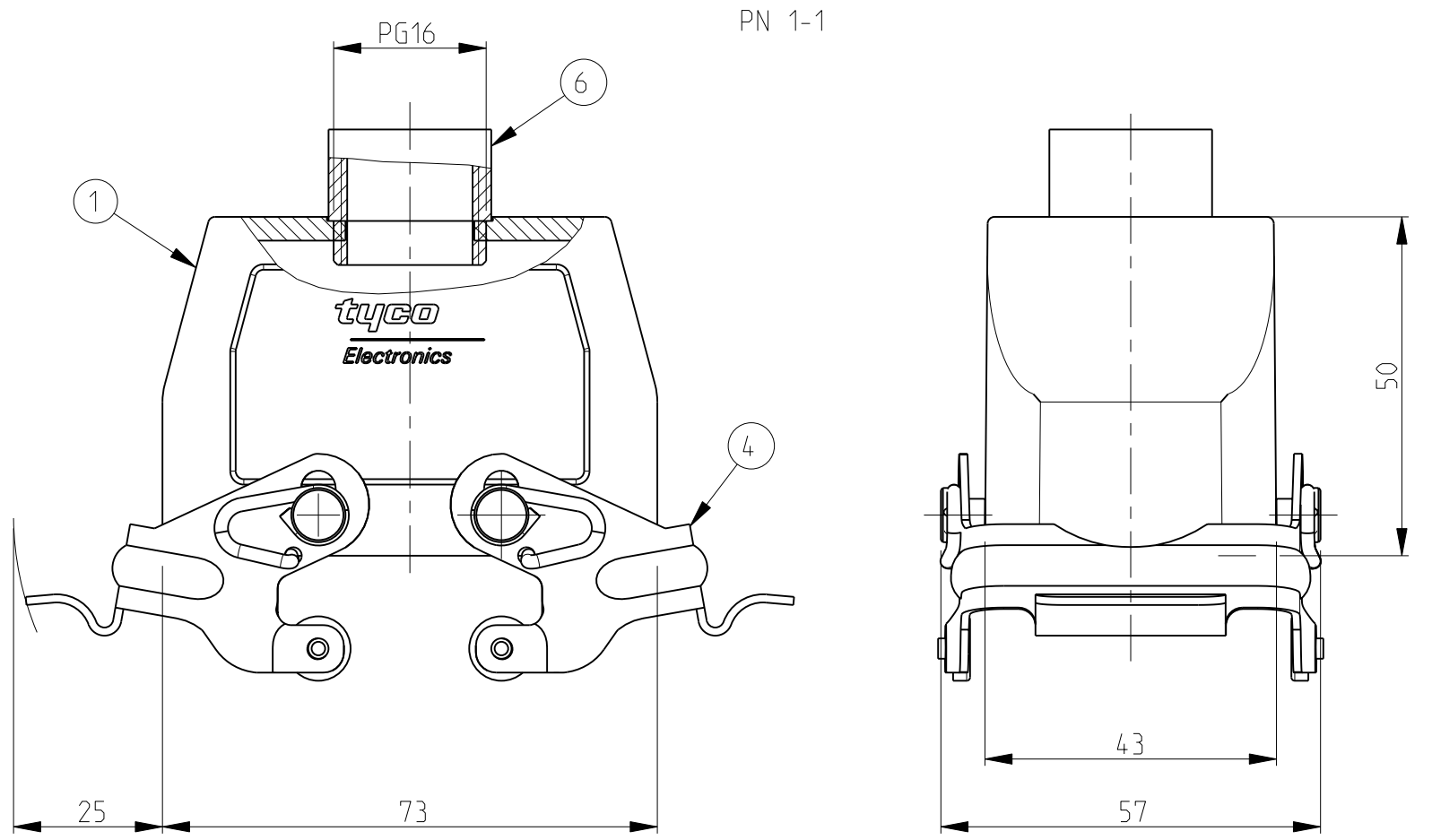
PN 1-7



PN 2-6

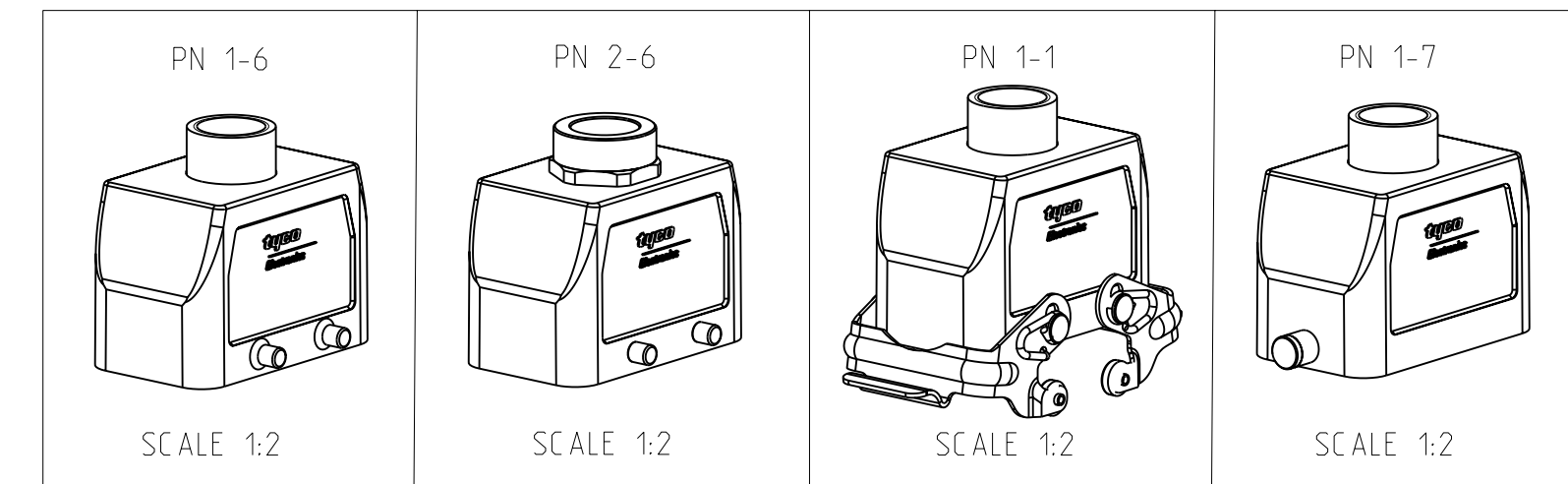


PN 1-1



NOTES.

- 1 Material:Housing:Aluminium Diecasting Alloy
- 2 Surface-Powder Varnish Grey  
-Aluminium Oxide +  
Varnish Black
- 3 Varnish on the inside not necessary
- 4 Packaging  
Quantity 5 Pieces in a box



QTY	DESCRIPTION	MATERIAL	SURFACE	COLOR	ITEM NO	NOTES
1	O-Ring PG16	Neoprene	-	Black	8	
1	6-Kt-Adaptor PG16	Brass	Nickel plated	Blue	7	
1	Adaptor round PG16	Brass	Nickel plated	Blue	6	
2	LB-Slide spool	Steel	Zinc plated	-	5	
2	VS-Side clip	Steel	Zinc plated	Blue	4	
4	VS-Clip bolt	Stainless steel	Blank	-	3	
1	Hood HB.10	Aluminium	Aluminium oxide	Black	2	
1	Hood HB.10	Aluminium	-	Grey	1	
1-7	1-12-61-6	DESCRIPTION	MATERIAL	SURFACE	COLOR	ITEM NO
ORDERING TEXT						
HB.10.STO.1.16.Z						
HB-K.10.STO.1.16.Z						
HB.10.STO-VS.1.16.Z						
HB.10.STO-GR.1.16.Z						

THIS DRAWING IS A CONTROLLED DOCUMENT FOR TYCO ELECTRONICS CORPORATION IT IS SUBJECT TO CHANGE AND THE CONTROLLING ENGINEERING ORGANIZATION SHOULD BE CONTACTED FOR THE LATEST REVISION.

DWN Schneider 05.06.02  
 CHK Schneider 05.06.02  
 APVD -  
 PRODUCT SPEC -  
 APPLICATION SPEC -  
 WEIGHT -  
 CUSTOMER DRAWING

TOLERANCES UNLESS OTHERWISE SPECIFIED:  
 0 PLC ±  
 1 PLC ±  
 2 PLC ±  
 3 PLC ±  
 4 PLC ±  
 ANGLES ±

mm

MATERIAL - FINISH -

**Tyco Electronics** Tyco Electronics,AMP.GmbH  
 D-53819,Neunkirchen,Germany

NAME Hood  
 HB.10.STO.1.16.Z

SIZE A2 CAGE CODE 00779 DRAWING NO C=1102266 RESTRICTED TO -

SCALE 1:1 SHEET 1 OF 1 REV A2

## X-ON Electronics

Largest Supplier of Electrical and Electronic Components

*Click to view similar products for [Heavy Duty Power Connectors](#) category:*

*Click to view products by [TE Connectivity](#) manufacturer:*

Other Similar products are found below :

[647757-1](#) [6643411-1](#) [6646058-2](#) [6646137-1](#) [6646138-1](#) [6646479-1](#) [6646608-1](#) [6646786-1](#) [6646940-1](#) [6651091-1](#) [6651525-1](#) [6651529-1](#)  
[6651788-1](#) [696475-1](#) [702-32-01109](#) [703-25-02205](#) [73000005059](#) [73000005642](#) [73080255059](#) [73080965046](#) [765-15-0080A](#) [765-16-0080B](#)  
[765-18-0080D](#) [829992-1](#) [902-77-02113](#) [PS00/A0620/6300](#) [PS25/A0420/63](#) [129-1J](#) [1409400](#) [AN0024023](#) [E6374G1](#) [e6389g2](#) [157-43GW8](#)  
[MS3117-14AC](#) [1643543-1](#) [1650540-1](#) [1651811-2](#) [1766260-1](#) [1766282-1](#) [1766966-1](#) [1791340000](#) [NLDFT-3-BL-L-S120-M40A](#) [NLDFT-N-](#)  
[W-L-C240-M40B](#) [NLS-2-R-C240-M40B](#) [NLS-N-W-C240-M40B](#) [NPS-3-BL-T6](#) [1986615-1](#) [2-1589900-8](#) [2199314-1](#) [KA8102](#)